

GENERAL NOTES:

1. NAVD 88 Datum.
2. Unless shown or stated otherwise on these drawings, materials and construction shall be in accordance with City of Wichita Standard Specifications.
3. Contractor will be required to provide a minimum advance notice of seventy-two (72) hours to utility companies prior to starting any excavation as follows:
 Kansas One-Call 1-800-344-7233
 The Contractor must notify the following in case of an emergency:
 AT&T (Telephone) 800-870-8390
 Cox Communications (Cable) 262-0661
 Kansas Gas Service (Gas) 832-3101
 City of Wichita Water & Sewer 262-6000
 Westar (Electric) 261-6512
 Black Hills Energy (Gas) 800-303-0357
4. The Contractor shall be responsible for preserving property irons. The Contractor will be required to re-establish any property irons which are damaged or destroyed by his construction operations. Such irons shall be re-established by a licensed land surveyor in accordance with state law.
5. Existing utilities and their locations, as shown on the plans, represent the best information obtainable for design. Location information has been obtained from the various companies and is either from company utility drawings or company provided field locations. The plan locations shown are not guaranteed. Additional existing utilities may also be encountered. Contractor to field verify location and depth of all utilities prior to construction and report findings to project engineer.
6. Rubble from the removal of miscellaneous structures shall be disposed of on sites to be provided by the contractor. These sites shall be approved by the engineer as to suitability, appearance, and site location. Locations that, in the opinion of the engineer, will leave an unsightly appearance will not be approved. All disposal sites must be approved by the Kansas Department of Health and Environment. Material either stockpiled or disposed of in a flood plain would require a Kansas State Board of Agriculture Permit. Any material dumped in Waters of the United States or wetlands is subject to U.S. Corps of Engineers permitting regulations. Any material buried or stockpiled beyond approved construction limits would require additional archeological investigations unless buried in a previously approved borrow location.
7. Excess excavation shall be placed as compacted fill on adjacent areas as directed by the Engineer or Owner.
8. Contractor shall provide temporary sediment control at all inlets. Such control shall be maintained until and upon germination of seeding. Acceptable means of control shall be approved by the engineer. Cost shall be considered subsidiary to site clearing and restoration. (Refer to erosion control sheet for measures).
9. Equipment and construction materials shall remain out of and away from tree driplines so as not to compact the root zone or damage the tree.
10. Contractor shall not start work on the project until the project inspector is assigned to the project and is present on the site. Any work done without inspection will be required to be uncovered for inspection.
11. The contractor will be required to restore all ditches, swales, road shoulders, entrances and bank lines to their original slopes and grades except as shown otherwise.
12. Construction staking, testing and inspection will be provided by the City of Wichita.

BENCHMARKS:

1. Railroad spike in power pole at the SW Corner of Mansfield & Orme.
Elev.=1331.51 (NAVD88)
2. " " cut on centerline of sidewalk. N. side Indianapolis at the E. End of Sidewalk.
Elev.=1330.28 (NAVD88)

CONSTRUCTION PLAN FOR STORM SEWER IMPROVEMENTS

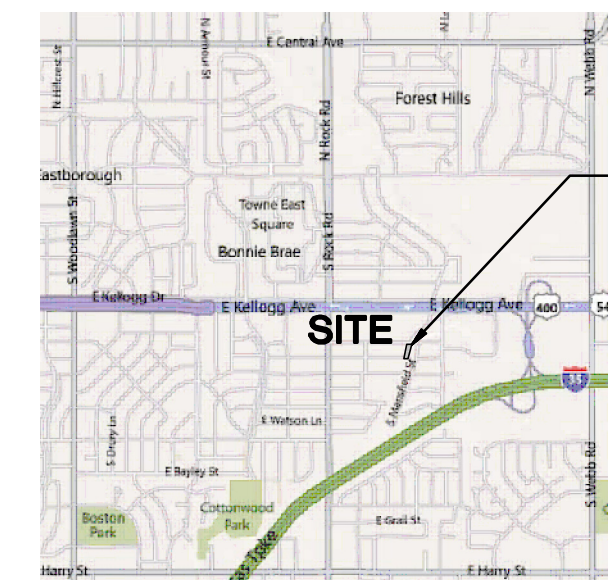
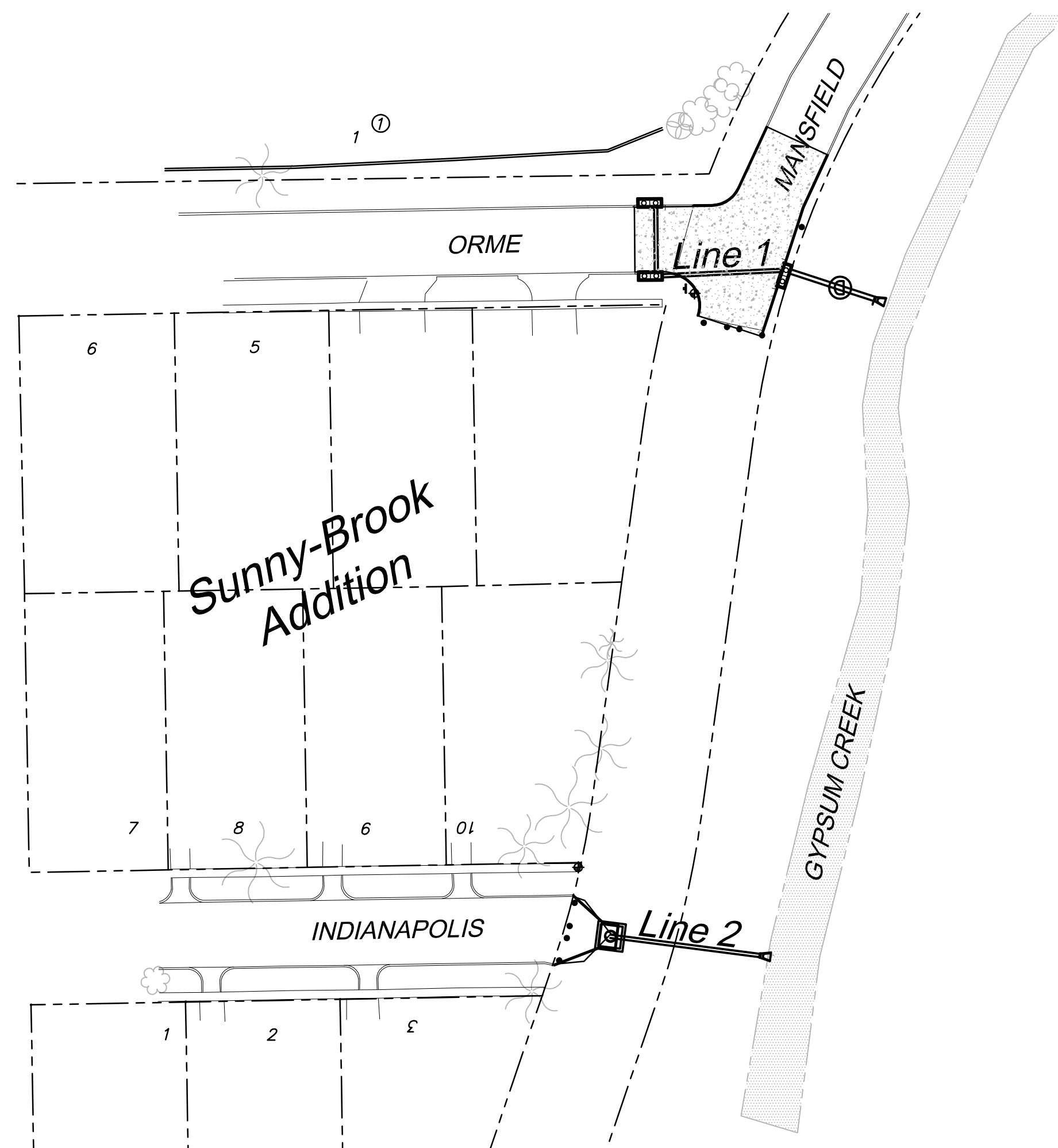
2011 HOT SPOTS - E INDIANAPOLIS & S MANSFIELD

TO

THE CITY OF WICHITA, KANSAS

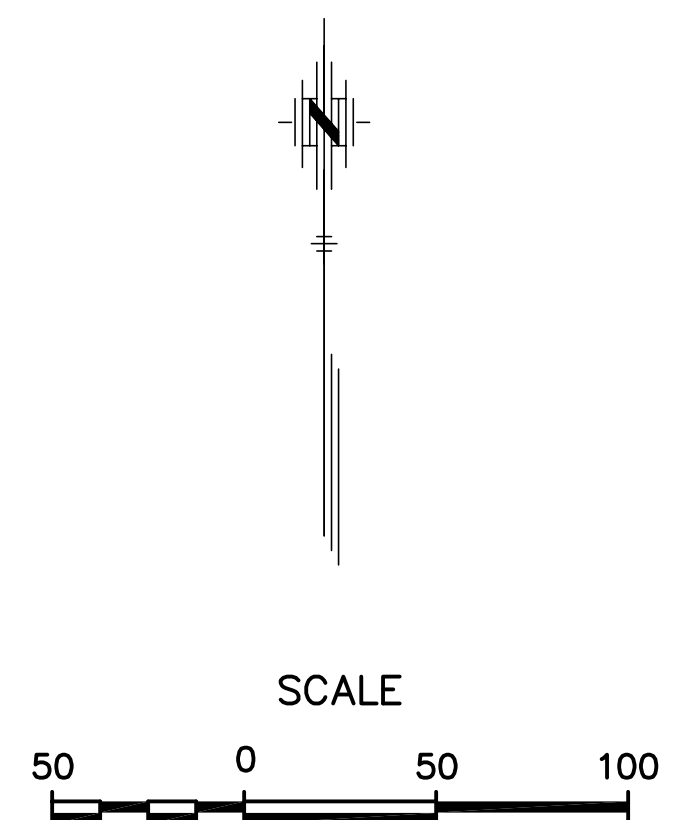
JAMES ARMOUR, P.E. - CITY ENGINEER

C.O.W. PROJ. 468-84795 OCA NO. 660800



PROJECT SITE

LOCATION MAP
No Scale

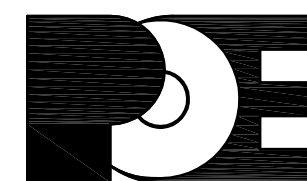


SHEET INDEX

| | |
|------------------------------|----------------|
| TITLE SHEET | SHEET NO. 1 |
| STORM SEWER PLAN AND PROFILE | SHEET NO. 2-3 |
| STORM SEWER DETAILS | SHEET NO. 4-6 |
| EROSION CONTROL | SHEET NO. 7 |
| BUBBLE MAP | SHEET NO. 8 |
| BMP DETAILS | SHEET NO. 9-14 |
| FINAL PLAT | SHEET NO. 15 |

MARCH 2012

PLANS PREPARED BY



POE & ASSOCIATES, INC.
CONSULTING ENGINEERS
5940 E. Central, Suite 200 ■ Wichita, KS 67208-4242
Phone 316/685-4114 ■ FAX 316/685-4444

