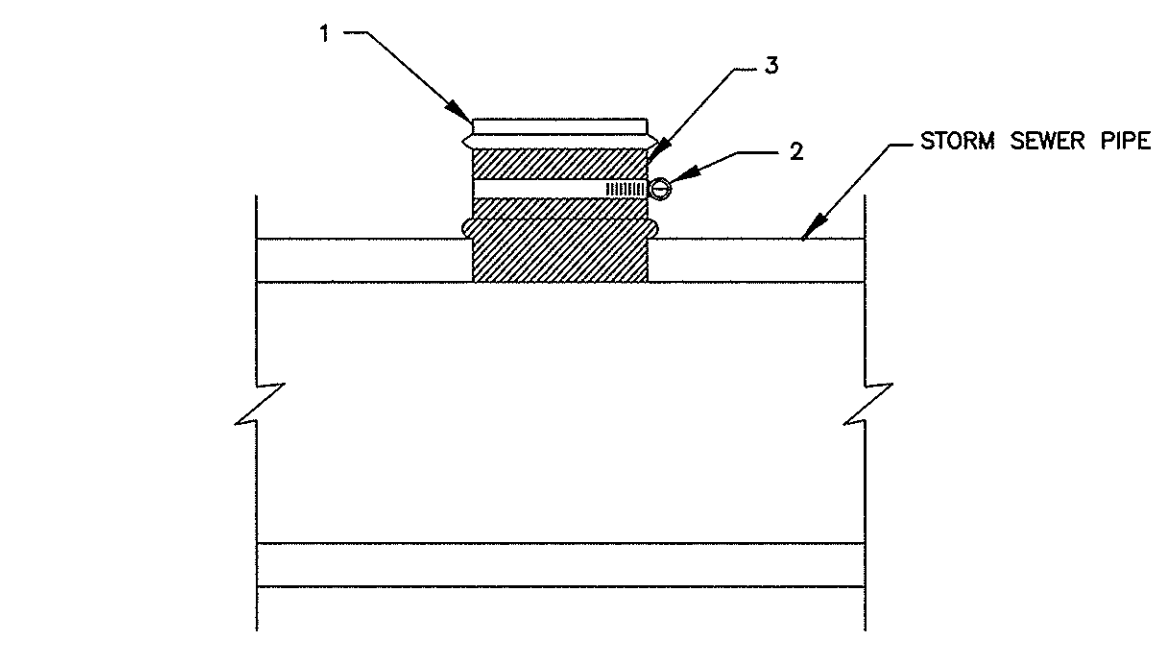
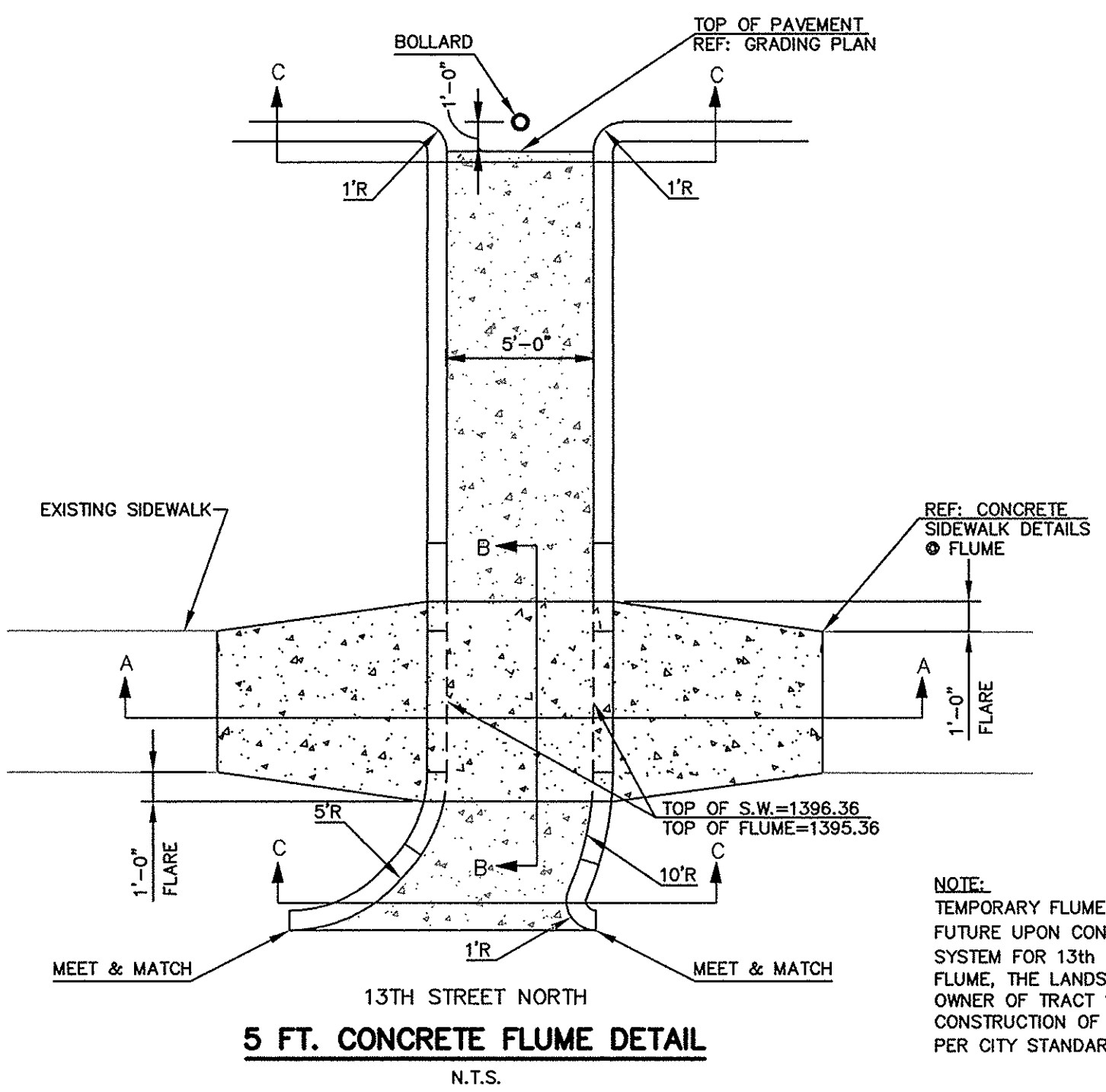
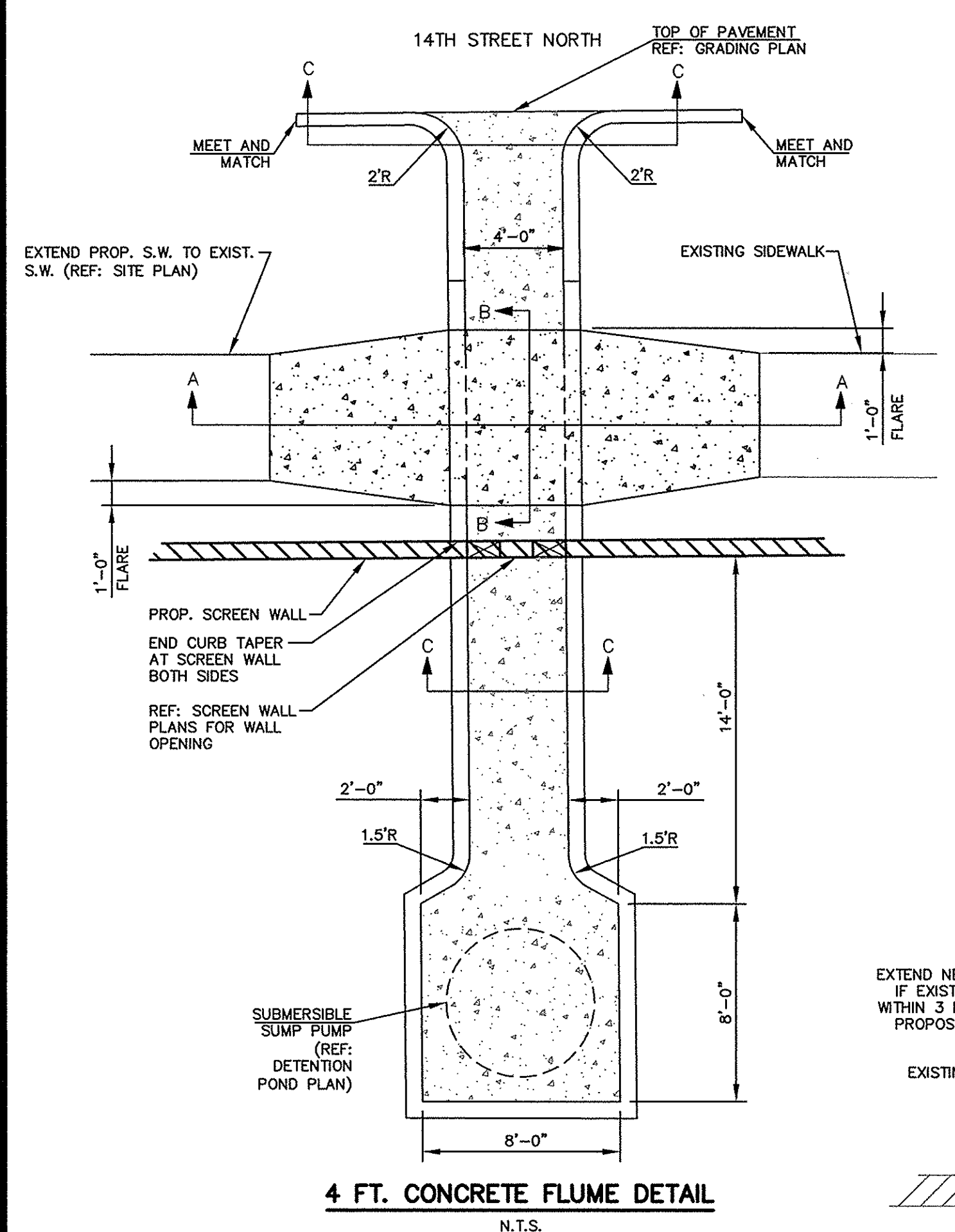
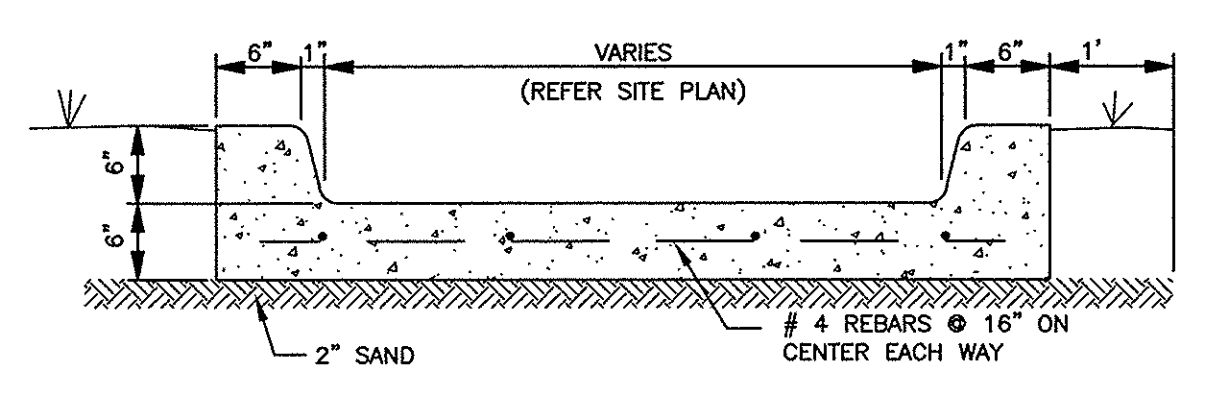
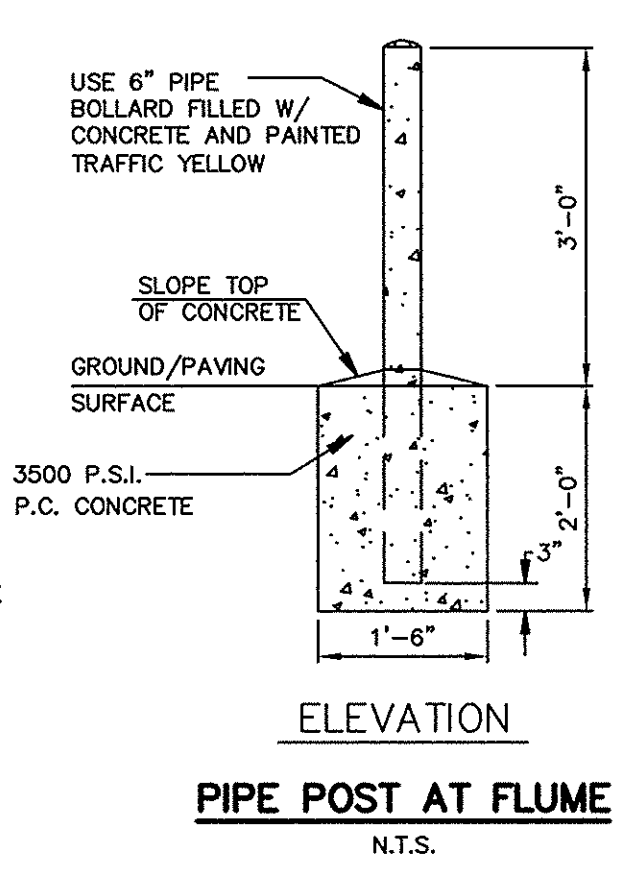
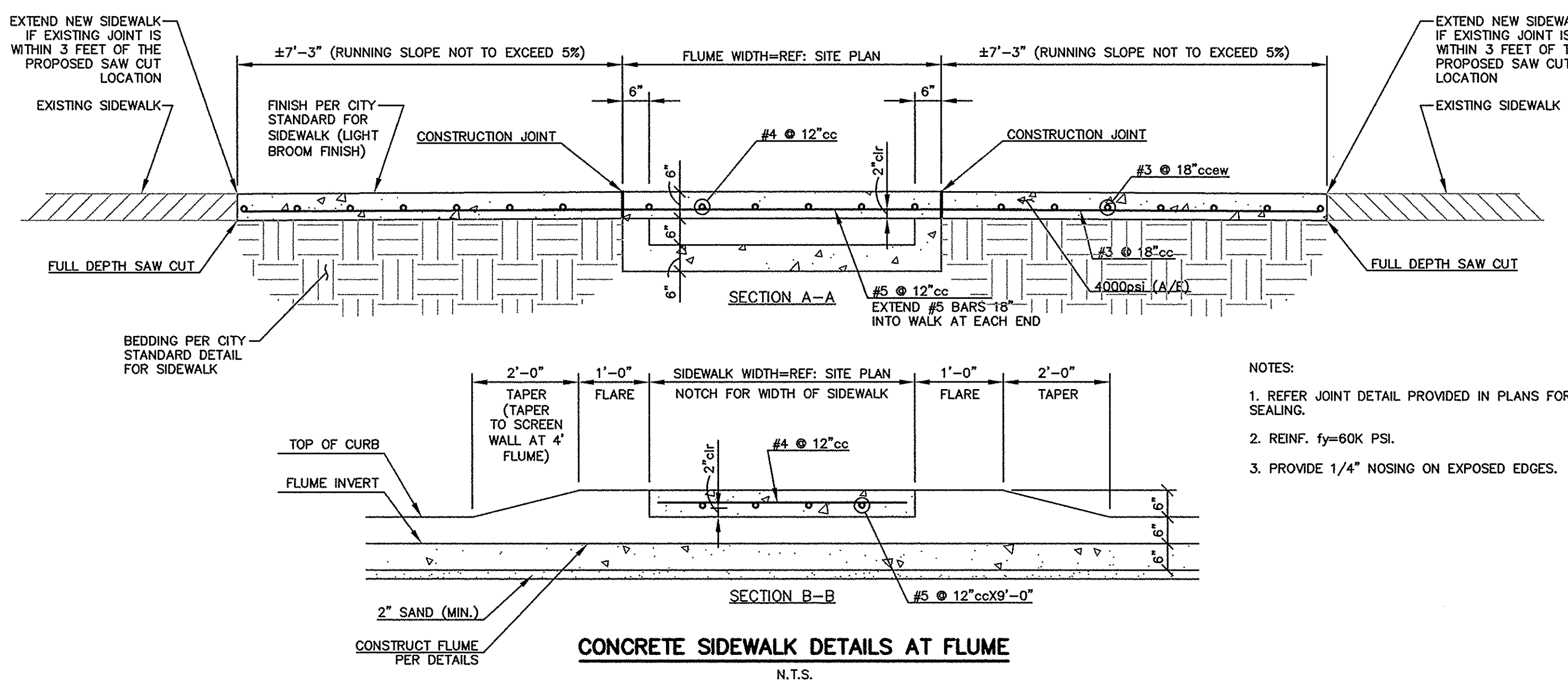


BACKFILL DESCRIPTION	NON-PAVED AREAS				PAVED AREAS (See Note 9)			
	CORRUGATED ALUMINUM	CORRUGATED STEEL	CONCRETE	HDPE	CORRUGATED ALUMINUM	CORRUGATED STEEL	CONCRETE	HDPE
FINAL BACKFILL	EXCAVATED MATERIAL	EXCAVATED MATERIAL	EXCAVATED MATERIAL	EXCAV. MAT.	SBM	SBM	SBM	SBM
SELECT BACKFILL	EXCAVATED MATERIAL	EXCAVATED MATERIAL	EXCAVATED MATERIAL	EXCAV. MAT.	SBM	SBM	SBM	SBM
INITIAL BACKFILL	SAND	SAND	SELECT FILL	SAND	SBM	SBM	SBM	SBM
HAUNCHING	SBM	SBM	SELECT FILL	SBM	SBM	SBM	SBM	SBM
BEDDING	SEE NOTE 5				SEE NOTE 5			



- NOTES:
- INSTALLATION AND BACK FILLING SHALL MEET MANUFACTURERS RECOMMENDATIONS.
 - SELECT FILL CONSISTS OF EXCAVATED MATERIALS CONTAINING NO MATERIAL LARGER THAN 50 MM (2") DIAMETER.
 - STANDARD BEDDING MATERIAL (SBM) SHALL CONFORM TO KDOT TYPE AB-3 AGGREGATE BASE OR FLOWABLE FILL OR APPROVED EQUAL.
 - COMPACTION REQUIREMENTS: 95% MAXIMUM STANDARD PROCTOR DENSITY.
 - IF TRENCH IS DRY BEDDING SHALL BE 152 MM (6") SAND OR TYPE AB-3 AGGREGATE BASE, AND IF WET SHALL BE NO. 57 OR NO. 67 ROCK PER ASTM D448.
 - NO WATER JETTING ALLOWED.
 - IN SANDY NON-PAVED AREAS, SAND CAN BE USED FOR ALL BACKFILL IF THE CONCRETE PIPE USES RUBBER O-RING JOINTS.
 - FOR CONCRETE PIPE IN NON-PAVED AREAS, SAND CAN BE USED FOR ALL BACKFILL IF THE CONCRETE PIPE USES RUBBER O-RING JOINTS.
 - THE BACKFILL MATERIAL SHALL EXTEND A MINIMUM OF 2- FEET BEHIND THE BACK OF CURB, OR THE EDGE OF PAVEMENT WHERE NO CURB EXISTS.
 - ADDITIONAL BEDDING MAY BE REQUIRED FOR SOFT SOIL AND SHALLOW GROUNDWATER CONDITIONS.
- (METRIC UNITS ARE IN MM WITH ENGLISH UNITS IN PARENTHESIS, UNLESS INDICATED OTHERWISE.)

STORM SEWER PIPE TRENCHING AND BEDDING



- NOTE:
- PROVIDE CONTRACTION JOINTS @ 10' c/c.
 - CONCRETE SHALL BE AIR ENTRAINED 4000psi PER KDOT SPECS.
 - ALL CONCRETE FLUMES SHALL BE CONSTRUCTED W/ CONTRACTION JOINTS @ 10' c/c AND CONSTRUCTION JOINTS @ 50' MAXIMUM. JOINTS SHALL BE SEALED PER CONCRETE JOINT DETAIL PROVIDED IN SITEWORK DETAILS.

STORM SEWER DETAILS

WALMART MARKET #5873-01

**13TH STREET NORTH & OLIVER AVENUE
WICHITA, KANSAS**

SMC Consulting Engineers, P.C.
815 West Main - Oklahoma City, OK 73106
PH: 405-232-7715 Fax: 405-232-7859
KANSAS CERTIFICATE OF AUTHORIZATION NO. E-335 EXP. DEC. 2011

No.	Revision	By	Date
1	CITY review comments	MDS	06/28/11
2	SMC review comments	MDS	07/20/11
3	Addendum #1 - City review comments	MDS	08/26/11

DATE: 05/04/11 SCALE: NTS SHEET NO. C-9.9

DRAWN BY: MDS PROJECT NO.: 4936.30 ENGINEER: TERENCE L. HAYNES, P.E. #14583

