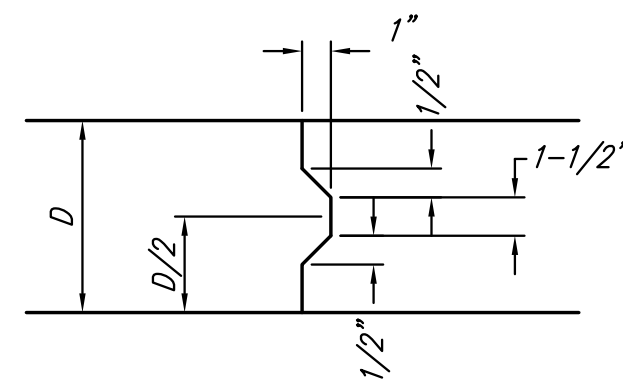
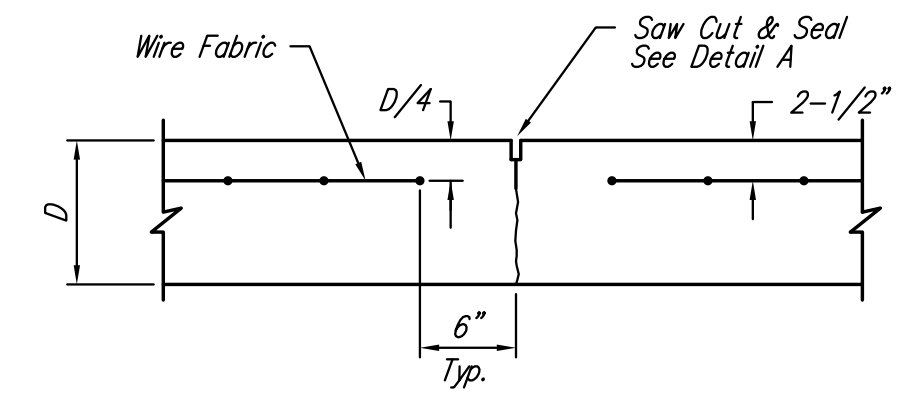


EXPANSION JOINT

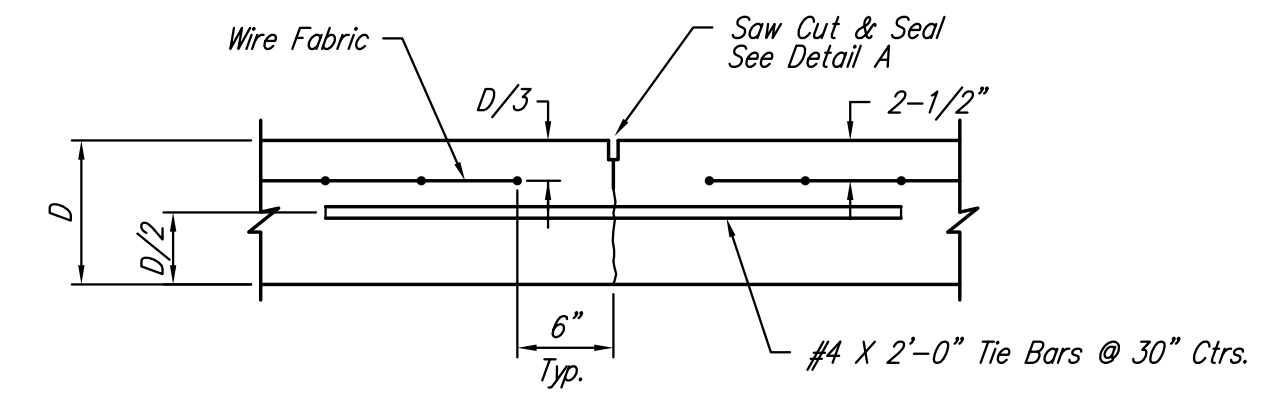
NOTE: Extra Thickness to be Subsidiary to Price of Square Yards Pavement



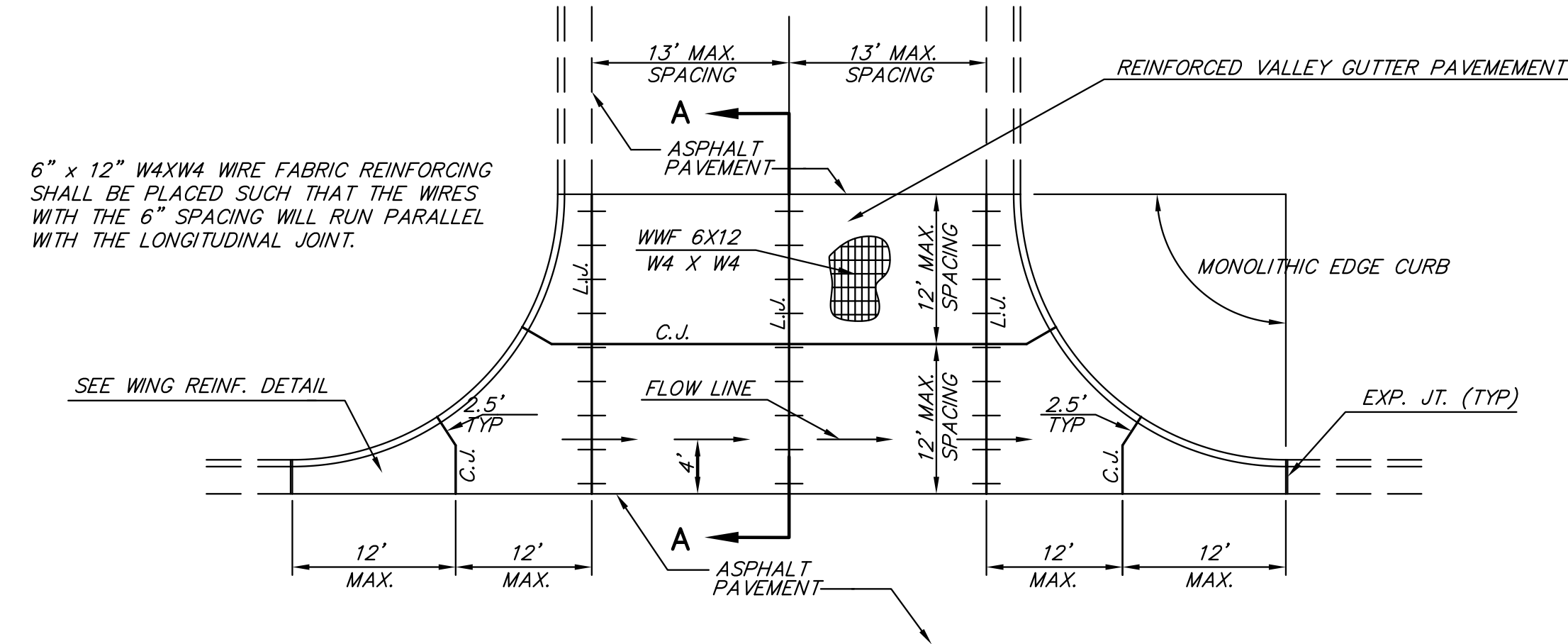
KEYWAY DETAIL



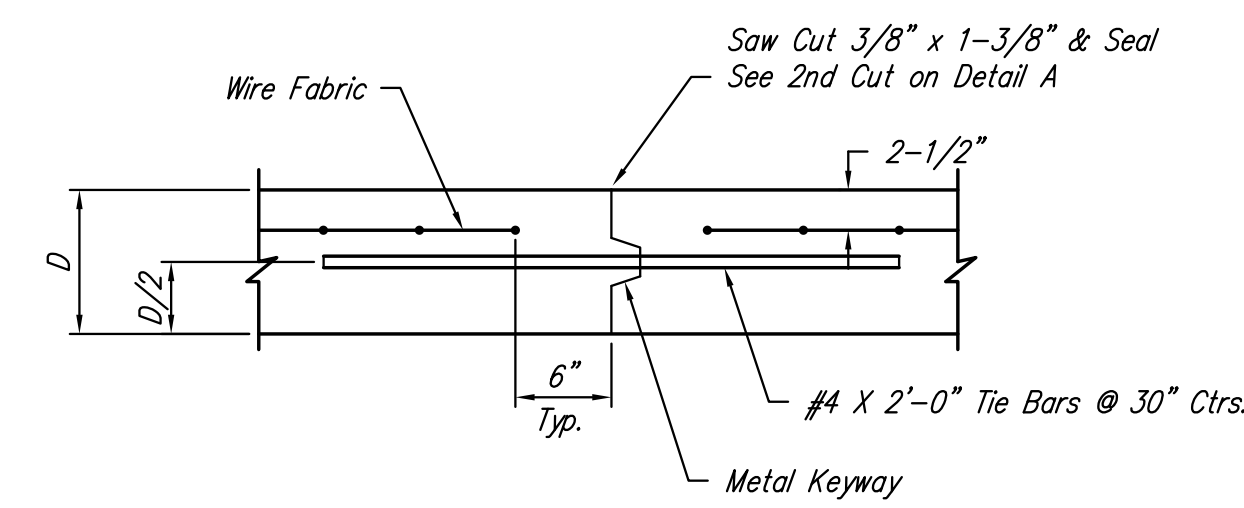
CONTRACTION JOINT DETAIL (C.J.)



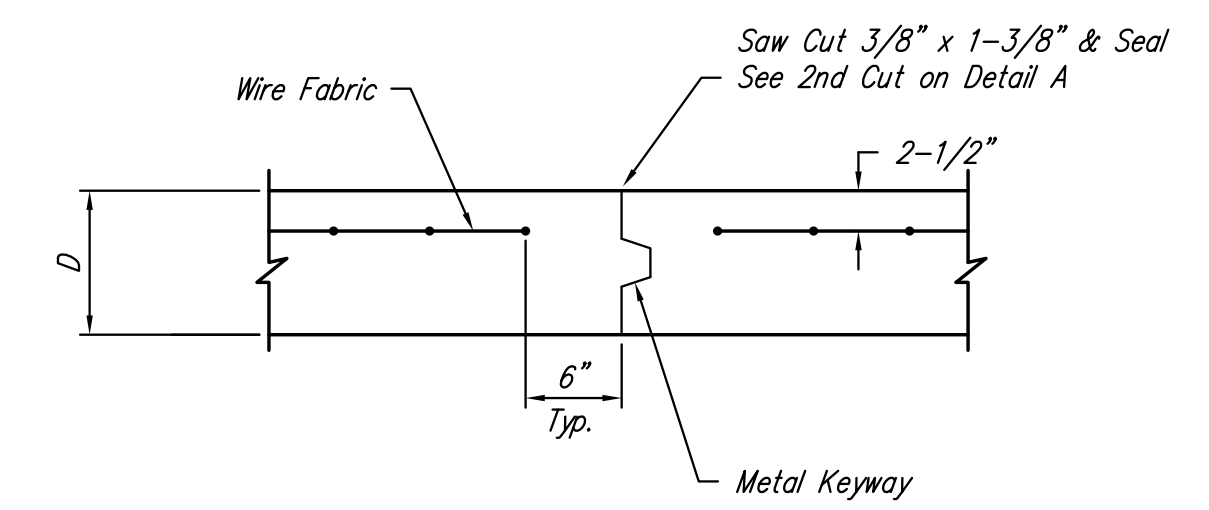
LONGITUDINAL JOINT DETAIL (L.J.)



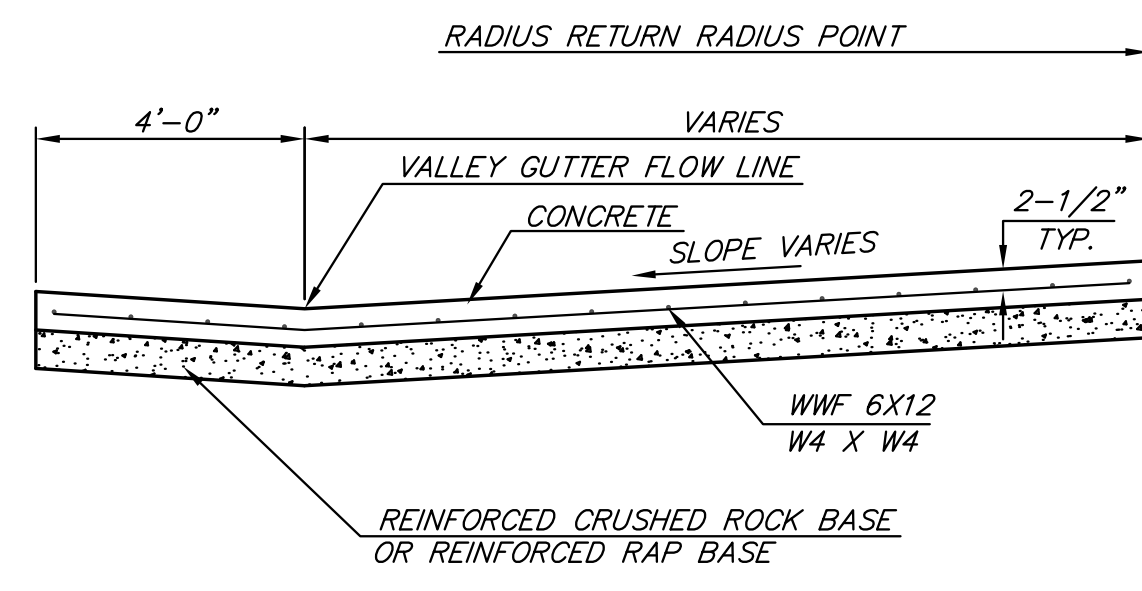
PLAN



OPTIONAL CONTRACTION JOINT

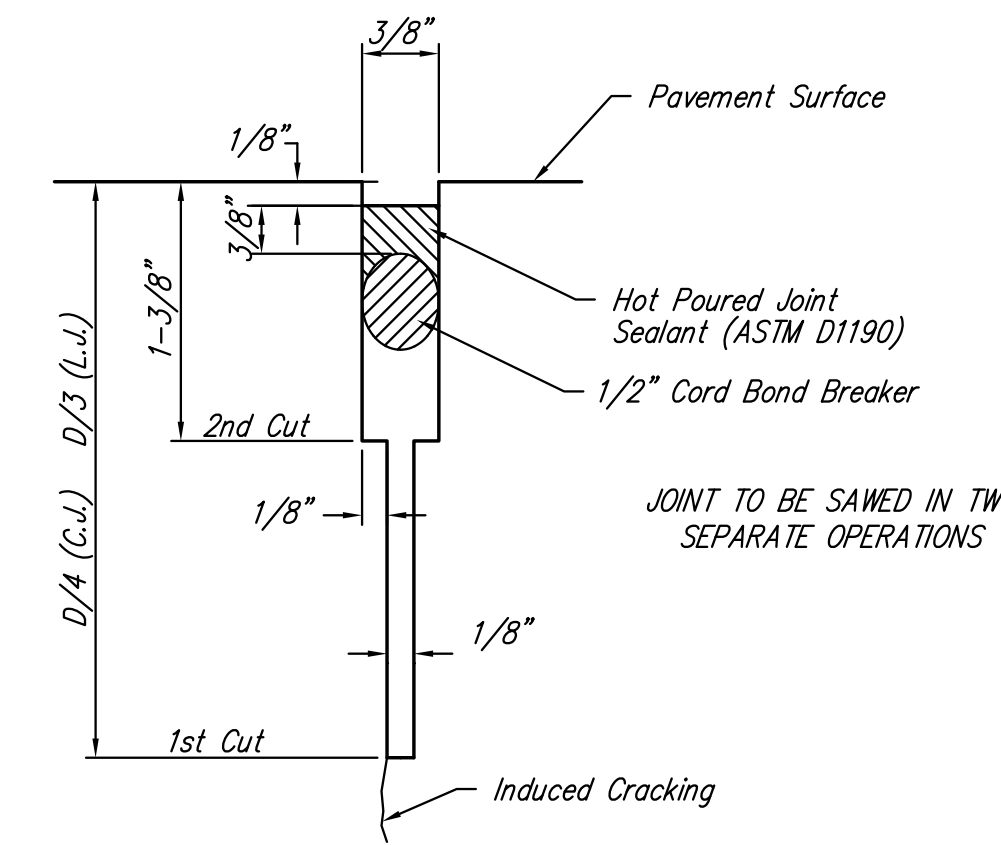


OPTIONAL LONGITUDINAL JOINT DETAIL (L.J.)

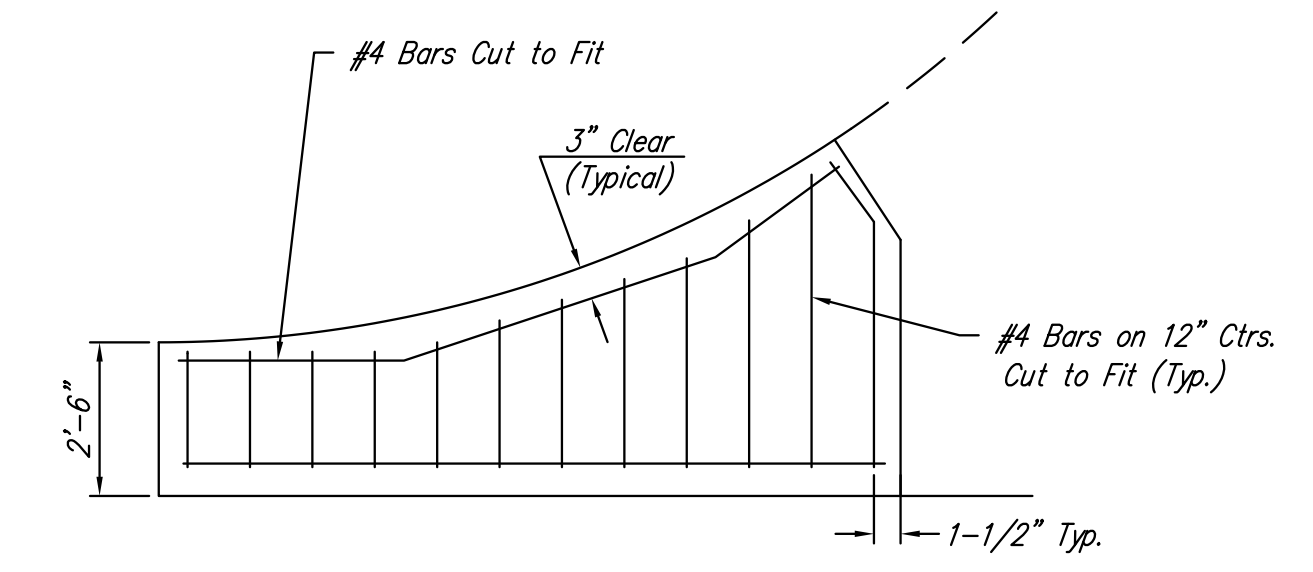


SECTION A-A

REINFORCED VALLEY GUTTER DETAIL



SAW JOINT DETAIL



WING REINFORCING DETAIL

| | | |
|---|---------------------------------------|----------------------|
| <p>CITY ENGINEER'S OFFICE CITY HALL - SEVENTH FLOOR 455 NORTH MAIN STREET WICHITA, KANSAS 67202 (316) 268-4501 (316) 268-4114 FAX</p> | VALLEY GUTTER DETAILS | |
| | JAMES L. ARMOUR, P.E. - CITY ENGINEER | |
| | PROJECT NUMBER 472-84522 | OCA NUMBER 766276 |
| | DATE Jul 06 | Sheet 4 of 28 |

J:\CIVIL\05291\DWG\FAV\PHASE 2\05291_ED3.DWG