

STORM WATER SEWER TO SERVE

Wichita Heights High School Addition

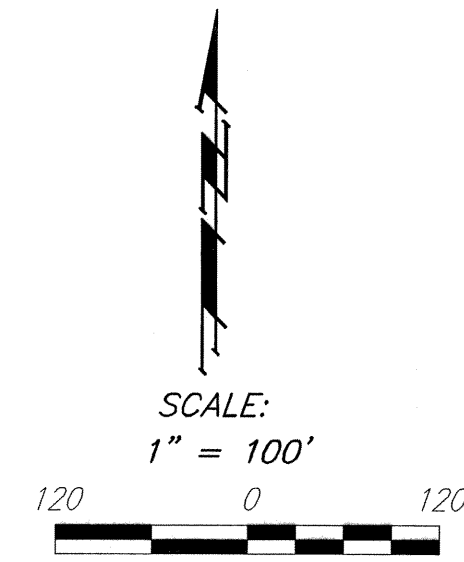
LOT 1, BLOCK 1

Private Project: 2043 PPS (607861)

CITY OF WICHITA, KANSAS

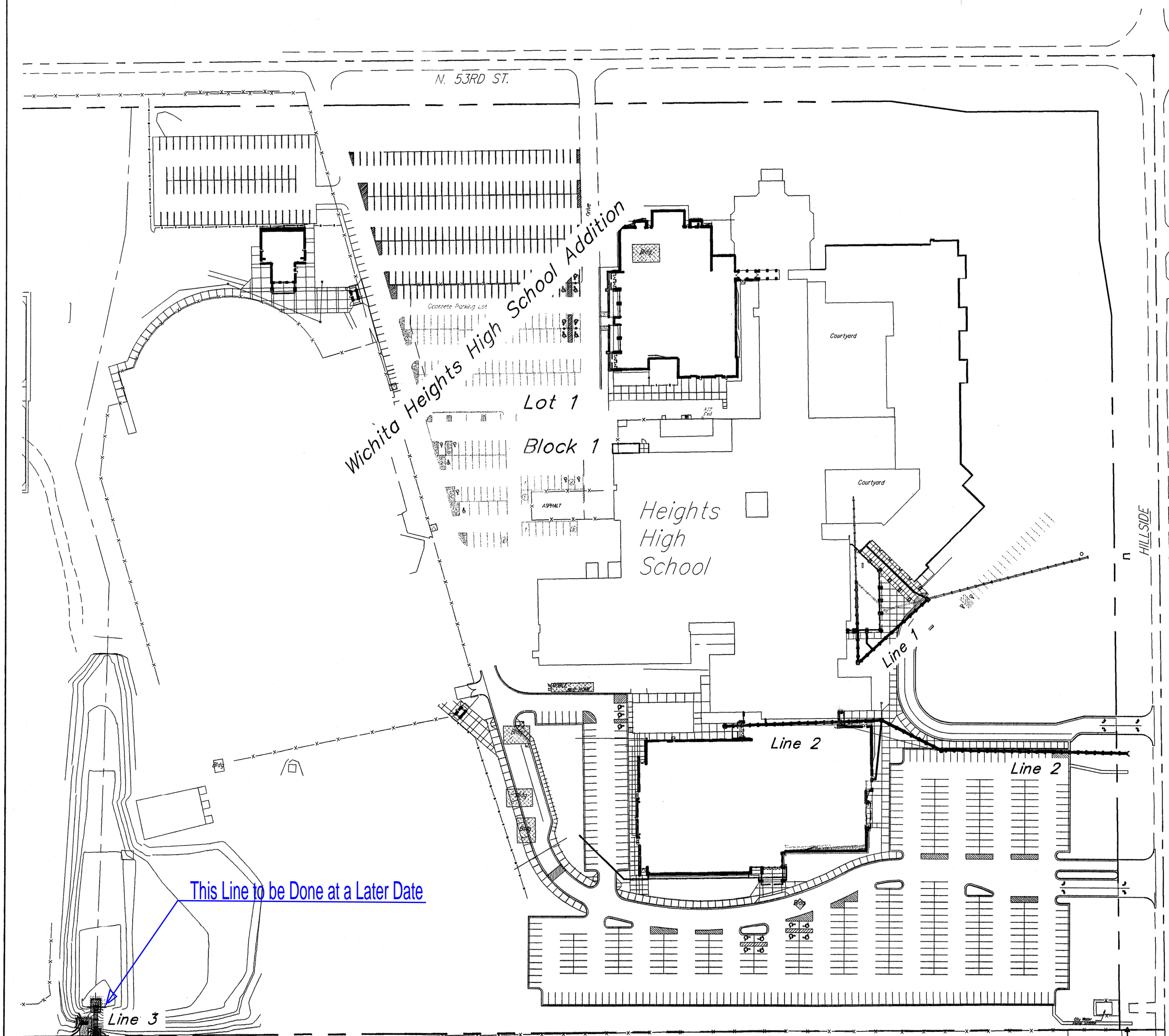
James Armour, P.E. City Engineer

August 2010



PARTIAL AS BUILT PLANS

(Lines 1 & 2)
 Contractor: Mies
 Inspector: Don Eddingfield, Baughman Co
 pdf's by: KEK, 7/1/11

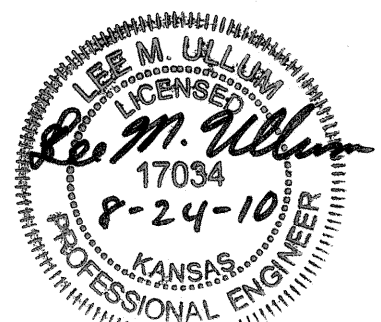


Benchmarks

1. "□" Square Cut On Headwall South Side Of 53rd Street North Approximately 736.3' West Of Center Line Of Hillside. Elev. = 1369.93 NAVD 88
2. "□" Square Cut On Headwall South Side Of 53rd Street North Approximately 1522.1' West Of Center Line Of Hillside. Elev. = 1369.94 NAVD 88

Index

Title Sheet	1	
Coordinate Sheet	2	
Plan/Profile Sheets	3-5	
Special Yard Inlet Detail Sheet	6	
Copy of Plat	7	
Drop Inlet Detail		Available On Request
BMP Erosion Details		Available On Request



General Notes

1. Contractor will be required to provide notice to utility companies a minimum of forty-eight (48) hours prior to any excavation, as follows:
 Kansas One-Call 687-2470
 The Contractor must notify the following in case of an emergency:
 Cox Communications 262-4270
 Kansas Gas Service Company 1-888-482-4950
 Westar Energy (Electric) 383-8650
 Black Hills Energy (Gas) 1-800-303-0357
 Southwestern Bell Telephone Co. 1-800-286-8313
 City of Wichita Water Dept. (Water) 262-6000
 City of Wichita Sewer Maint. (SS) 262-6000
 City of Wichita Storm Sewer Maint. 268-4090
 City of Wichita Traffic Maint. 268-4034
2. All disturbed R/W areas not intended for pavement or sidewalk construction shall be seeded with Kansas Premium Fescue Blend at a rate of 8 lb./1000 Sq. Ft., fertilized with a 16-20-6 ratio at a rate of 4 lb./1000 Sq. Ft., and mulched with Prairie Hay at a rate of 92 lb./1000 Sq. Ft. Mulch shall be "patted" with forks or punched into soil to reduce loss due to wind.
3. Utility service lines, poles, valve boxes, meters, et cetera are to be adjusted as necessary by others prior to construction unless the plans specifically call for their adjustment by the Contractor or unless the plans specifically identify a utility to be adjusted by its owner during construction. Existing utilities and their location, as shown on the plans represent the best information obtainable for design and shall be field verified. The contractor will be required to work around existing utilities within the right-of-way which do not conflict with proposed construction. Contractor shall coordinate with on-site Heights maintenance personnel for location of owner installed service lines.
4. All storm sewer lines and appurtenances shall be installed in accordance with the most recent edition of City of Wichita, Kansas Standard Specifications for the Construction of City Projects.
5. Contractor shall furnish the inspector with a copy of the manufacturer's certification for any pipe used on this project after completion of pipe installation. The engineer will not certify the project to the city until pipe certification has been received.
6. Properties within the project limits may have underground sprinkler systems which conflict with new construction. Contractor will be required to remove such improvements should they not be removed by their owner at the time of construction. The Contractor will be required to salvage all sprinkler heads and/or valves and give such material to their owner. Portions of underground sprinkler systems not in conflict with new construction shall be protected from damage and shall remain in place. All work in connection with underground sprinkler systems shall be considered as subsidiary to the contract pay items of work.
7. Contractor shall not start work on the project until the project inspector is assigned to the project and is present on the site. Contractor shall not start on the project until all necessary bonds and permits have been obtained. Bonds may include but are not limited to Statutory, Performance & Maintenance Any work done without inspection will be required to be uncovered for inspection.
8. Rubble from the removal of miscellaneous structures and excess excavation which is to be wasted shall be disposed of on sites to be provided by the Contractor. These sites shall be approved by the Engineer as to suitability, appearance and site location. Locations that, in the opinion of the Engineer, will leave an unsightly appearance will not be approved. All disposal sites must be approved by the Kansas Department of Health and Environment. Material either stockpiled or disposed of in a flood plain would require a Kansas State Board of Agriculture permit. Any material dumped in waters of the United States or wetlands is subject to U.S. Corps of Engineers permitting regulations. Any material buried or stockpiled beyond approved construction limits would require additional archaeological investigations unless buried in a previously approved borrow location.

BID INFORMATION

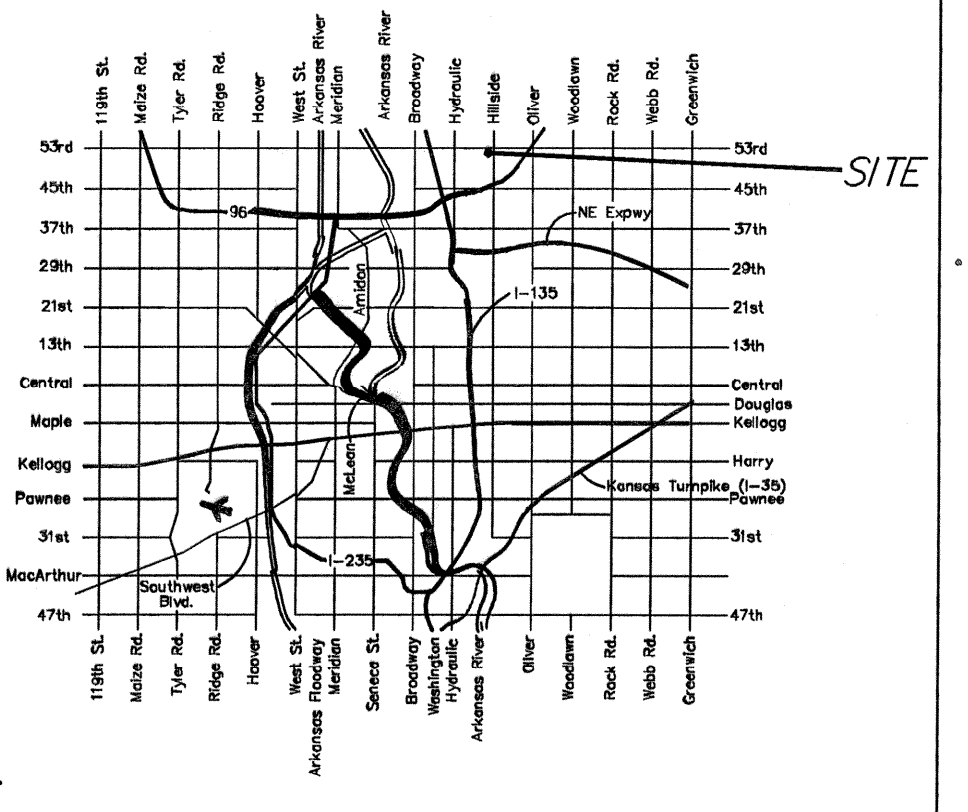
1. BASE BID-
 Line 1- Sta 0+00 to Sta. 2+32.6
 Line 2- Sta. 2+47.7 to Sta. 5+45.4
2. ADD ALTERNATE BID
 Line 2- Sta. 0+00.0 to Sta. 2+47.7

APPROVED AS NOTED
 BY CITY ENGINEER OF WICHITA

Storm Sewers *Julian Kallman 8-26-10*

NOTE TO CONTRACTORS

Installation, inspection and testing for this project is to be provided by a Licensed Consulting Engineering Firm under contract with the Owner/Developer. Said inspection to be in accordance with the City of Wichita standard construction engineering practices and certified by a Licensed Professional Engineer. No work shall be performed in dedicated easements or public right-of-way by the Contractor without such inspection nor shall any work be commenced without written authorization by the City Engineer. All Construction and Materials shall comply with the City of Wichita Specifications and Standards (on file and available in the City Engineer's Office).



VICINITY MAP

Baughman Company, P.A. 315 Ella St. Wichita, KS 67211 P 316-262-7271 F 316-262-0145
 ENGINEERING | SURVEYING | PLANNING | LANDSCAPE ARCHITECTURE