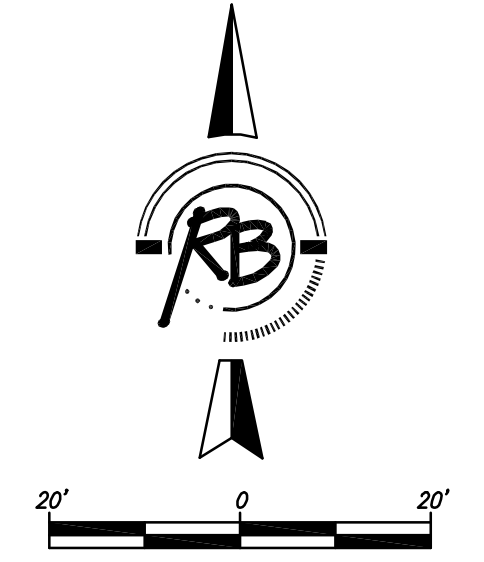
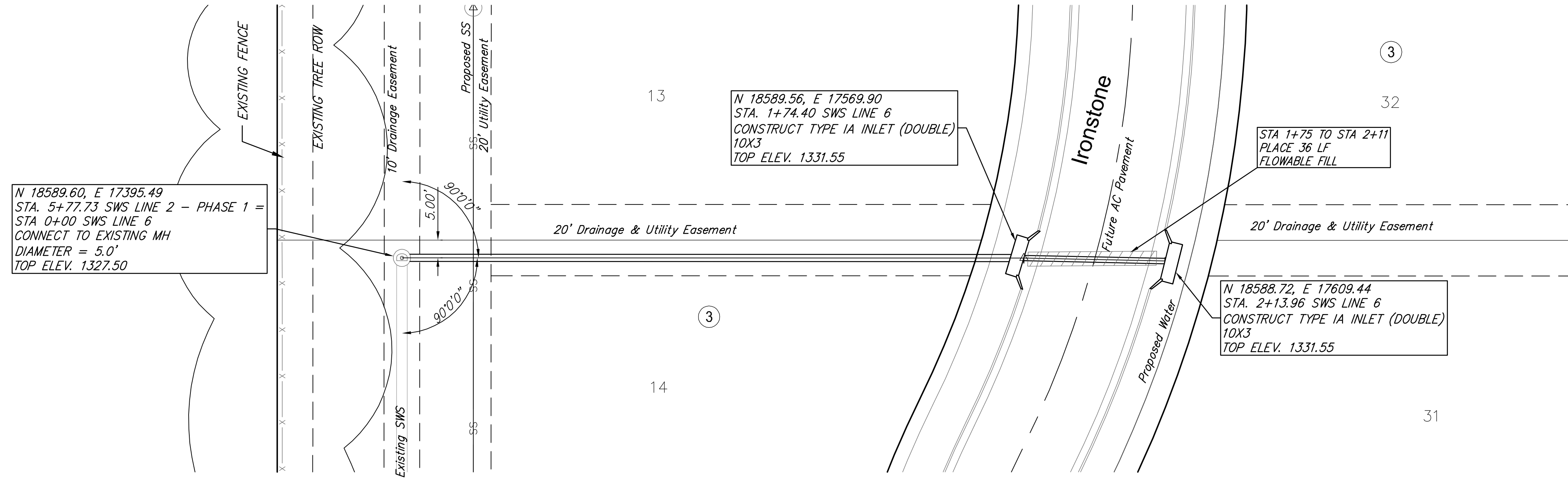
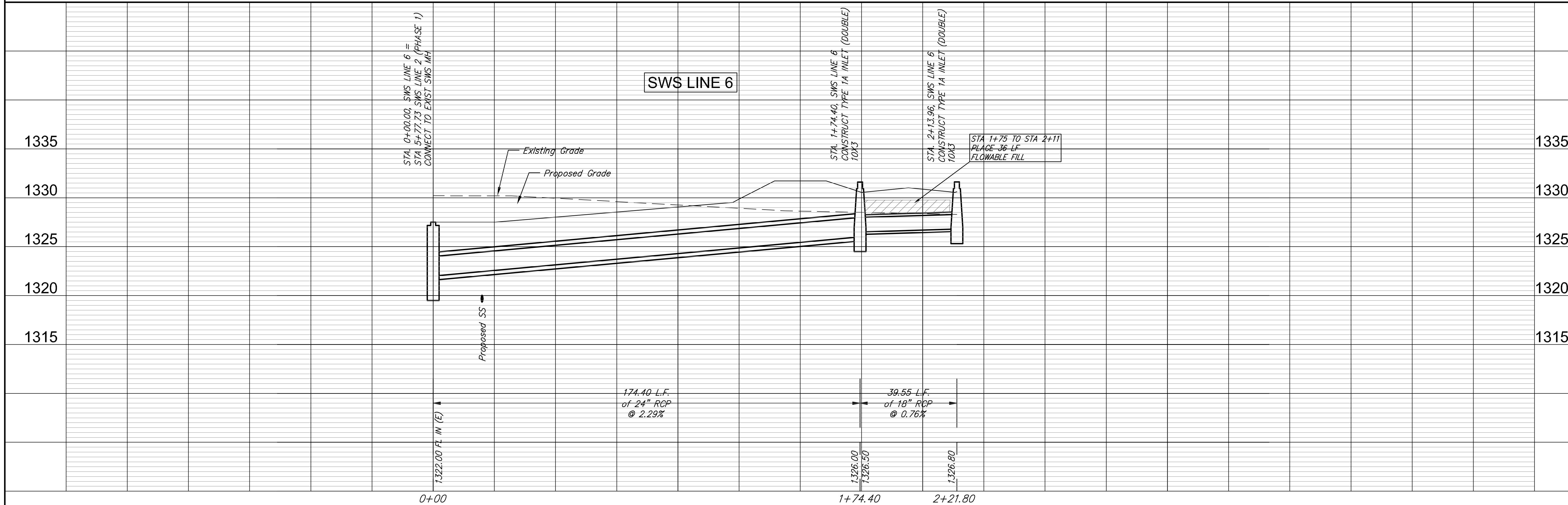


Sierra Hills Golf Club Addition



Sierra Hills 2nd Addition



PROJECT NUMBER: 462-94615
DRAWING FILE: Engineering Base [SWS Line 2a]
REVISIONS:
 DATE: June 7, 2012
 REVIEWER: [Signature]
 DATE: May 9, 2012
 REVIEWER: [Signature]

DESIGN: EUG
UTILITY: [Signature]

SIERRA HILLS 2ND ADDITION
SWS Line 6
WICHITA, KANSAS

RB JOB: 3268E
SHEET: 17 OF 43

