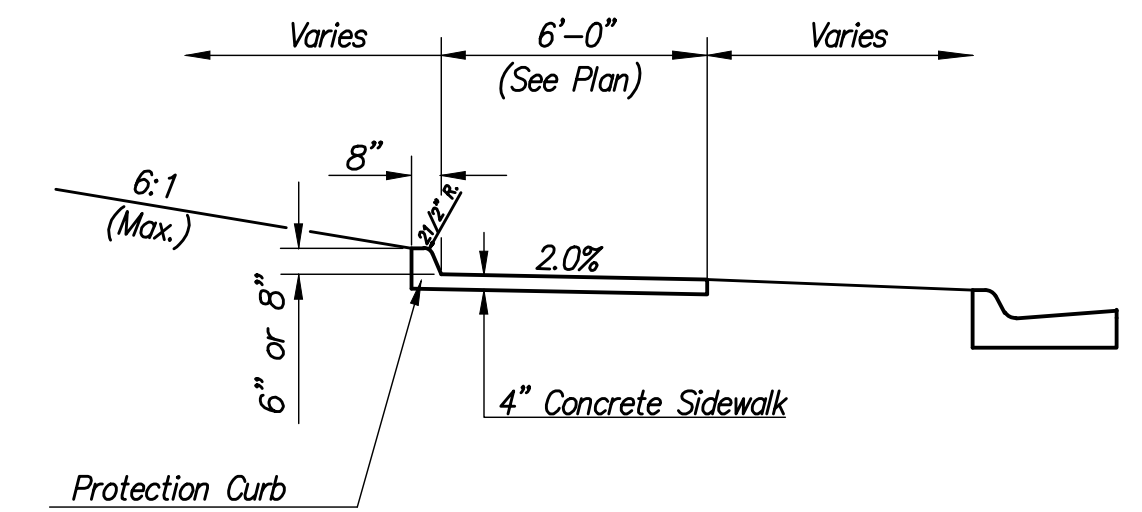
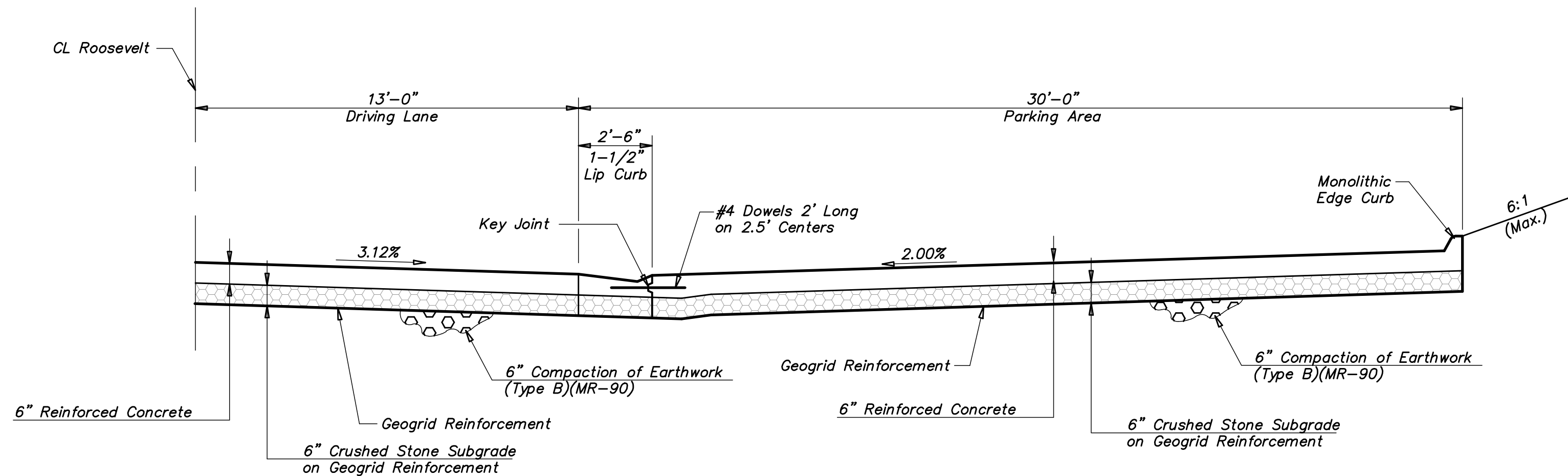


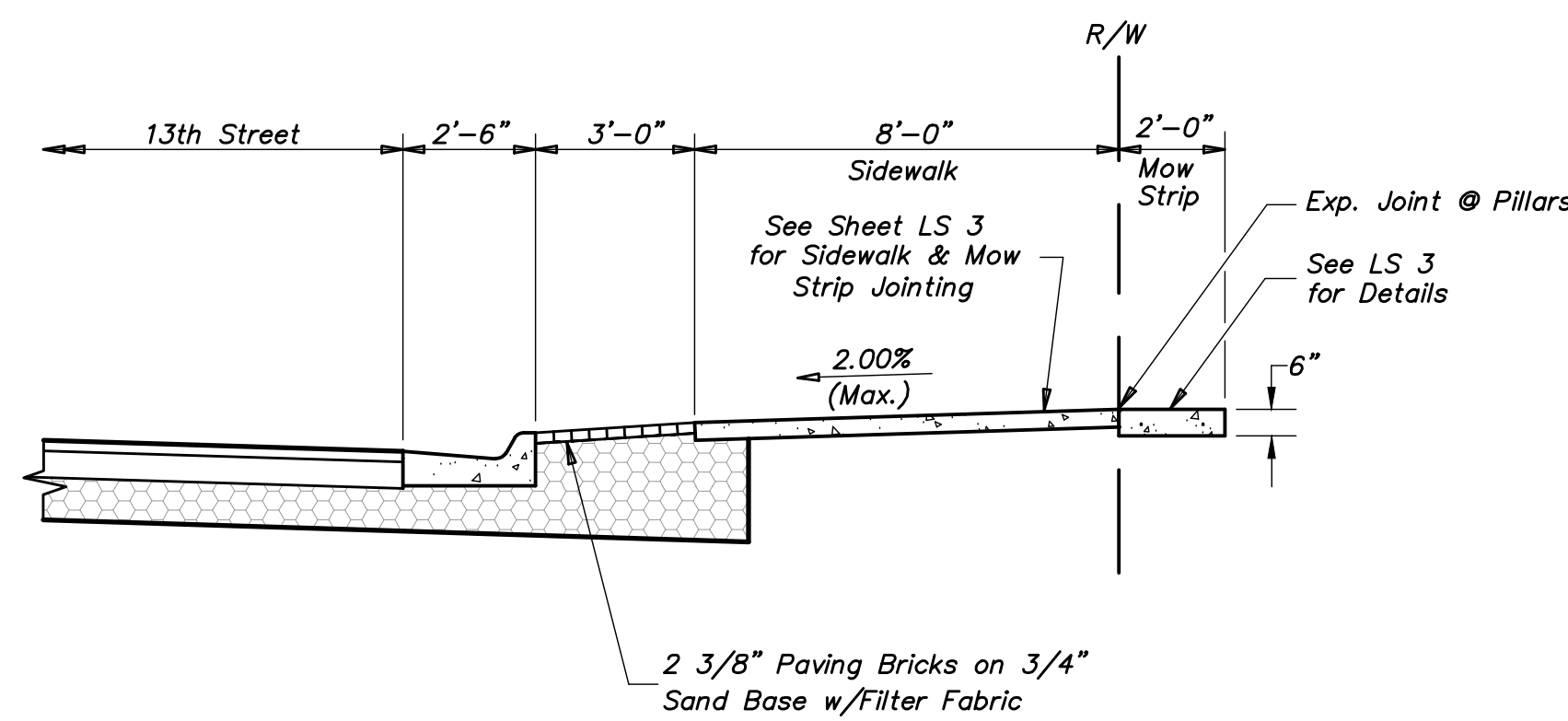
PLAN-SIDEWALK WIDENING AT UTILITY POLES



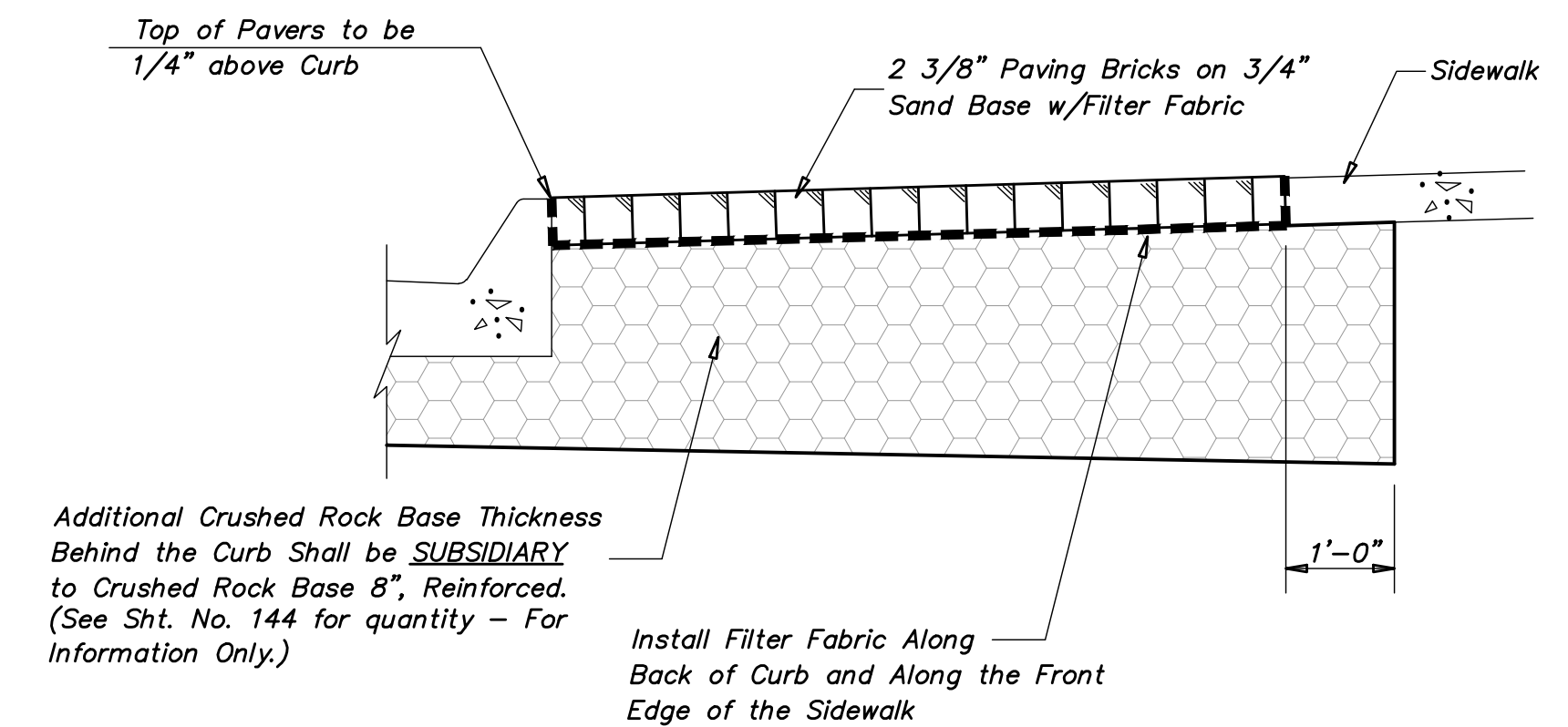
TYPICAL PROTECTION CURB



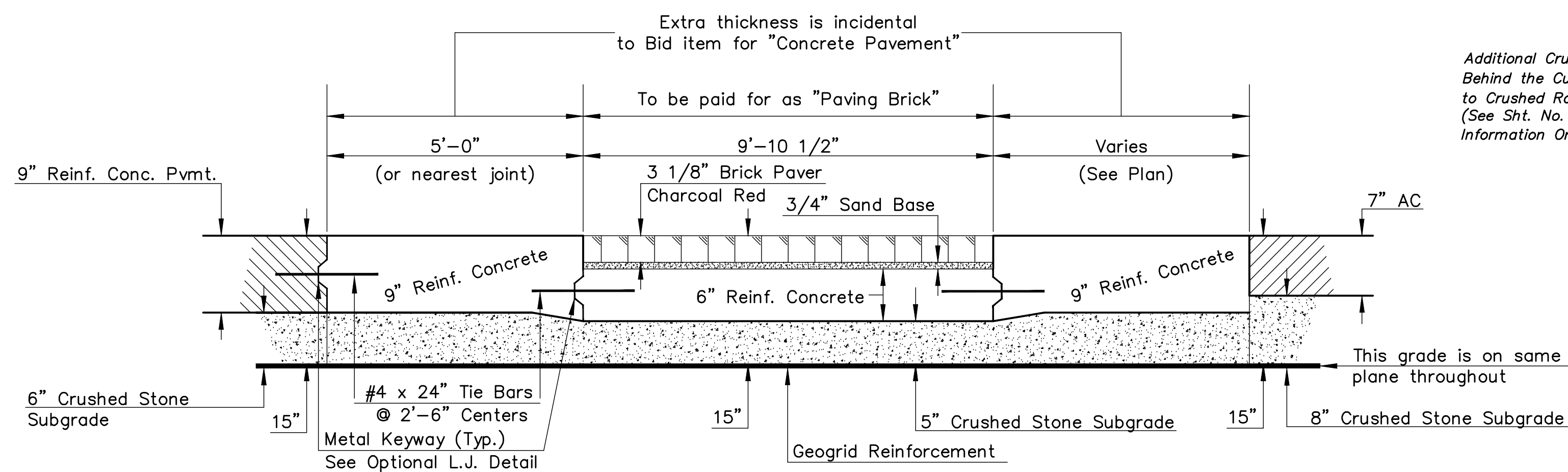
ROOSEVELT PARKING – Reinforced Concrete



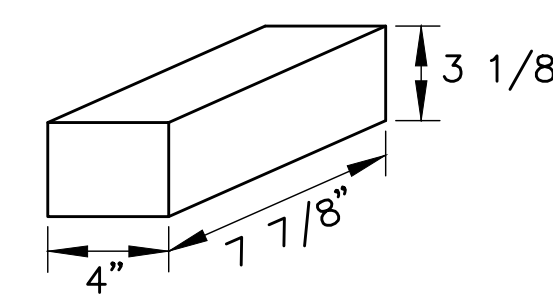
SIDEWALK AT GOLF COURSE




BRICK TREATMENT – FILTER FABRIC DETAIL



CROSSWALK BRICK PAVER SURFACE DETAIL



NOTE: Construction of the interlocking precast concrete paving stones shall conform to KDOT special provisions 90P-3956

 POE & ASSOCIATES, INC. CONSULTING ENGINEERS <small>2940 E. Central, Suite 200 • Wichita, KS 67208-4202 Phone: 316/685-4114 • FAX: 316/685-4444</small>	
ENGINEER : P. Ferguson ENG. TECH : J. Unruh CAD TECH : J. Unruh DATE : SHEET : 4 OF 374	13th STREET TYPICAL SECTIONS CITY OF WICHITA, KANSAS PROJECT NO. 472-84320