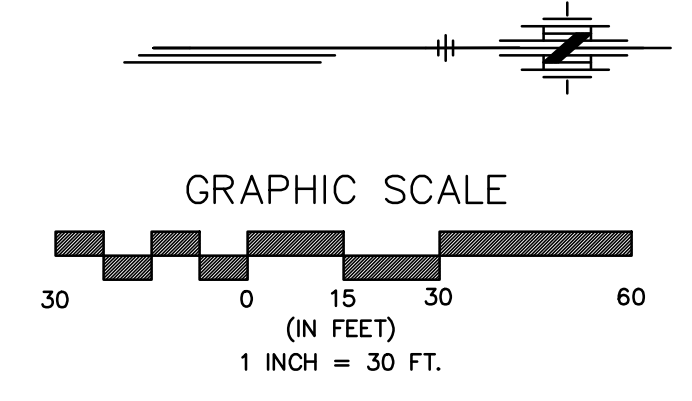
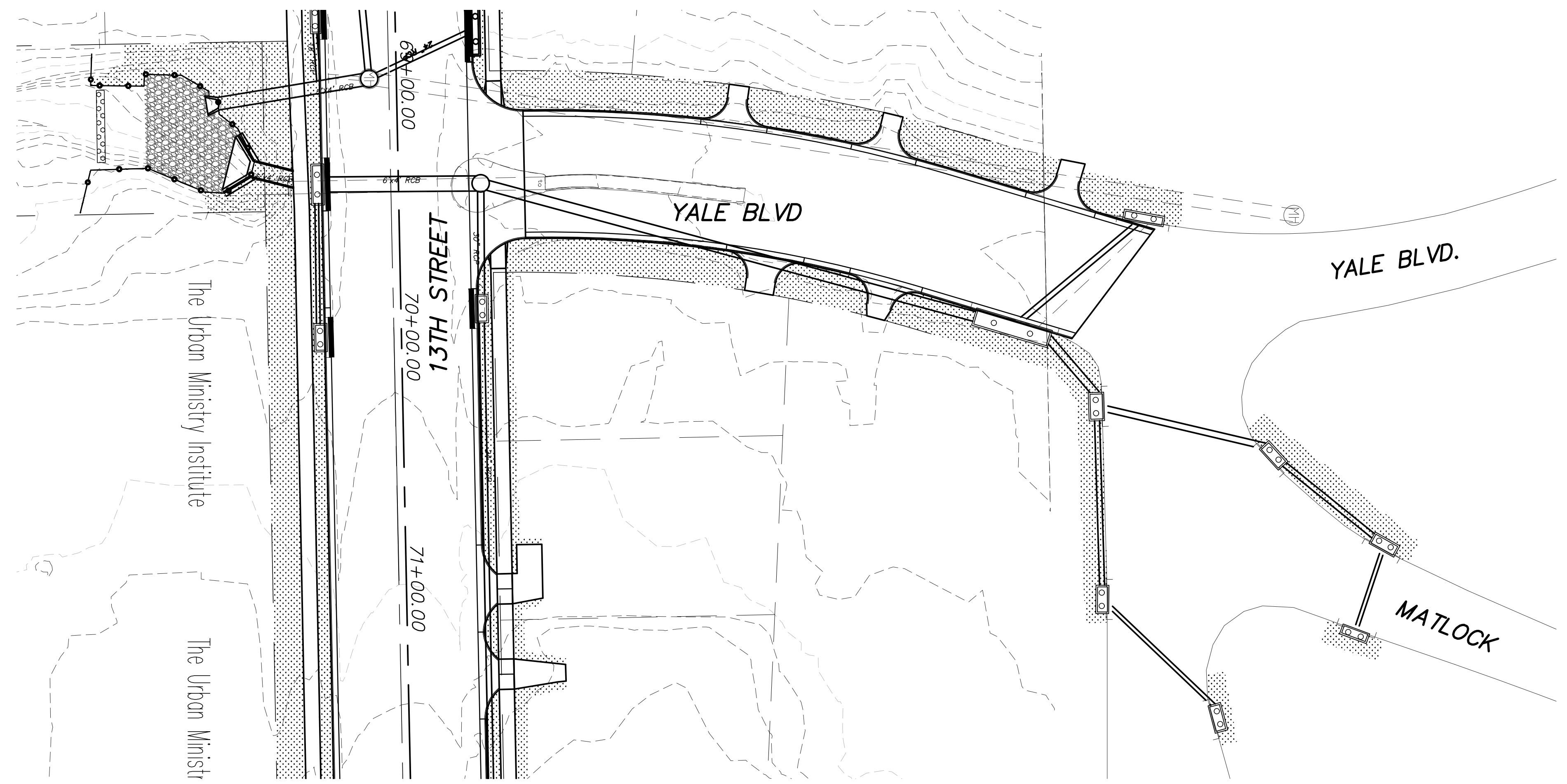
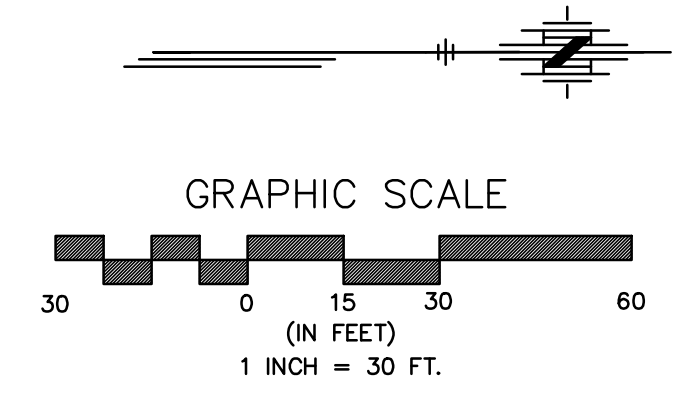
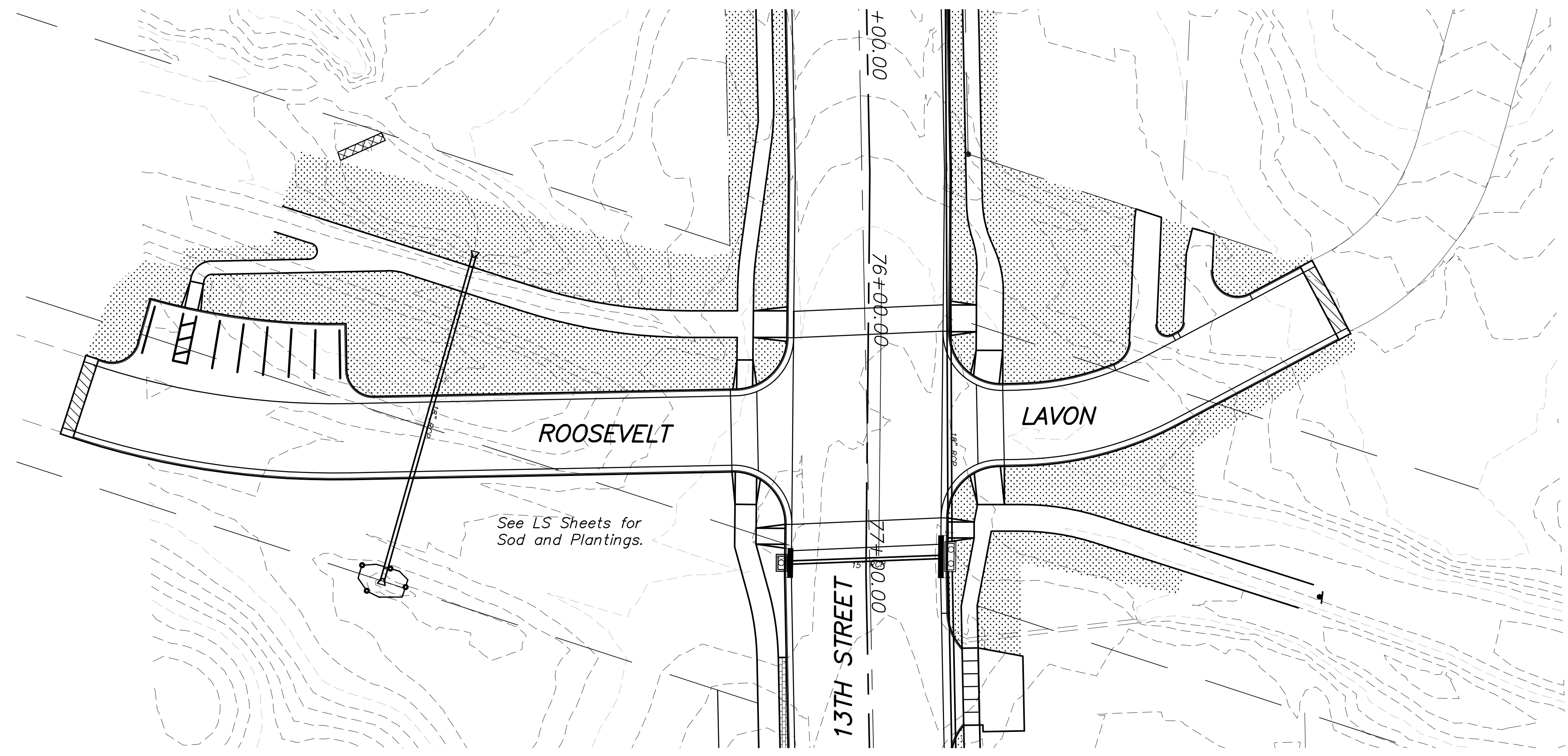


**LEGEND**

	Brick Treatment
	Curb Inlet Filter
	Ditch Check
	Rock Ditch Check
	Silt Fence
	Bermuda Grass Sod
	Fescue Sod



YALE BOULEVARD

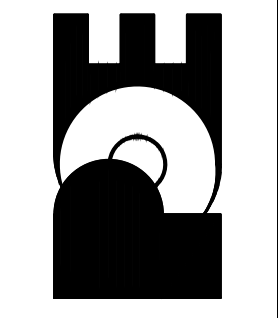


LAVON/ROOSEVELT

No.	Date	By	Approved	Revision

13TH STREET NORTH FROM KANSAS TO OLIVER  
 EROSION CONTROL PLAN/SODDING  
**CITY OF WICHITA, KANSAS**  
 YALE BLVD. & LAVON/ROOSEVELT

**POE & ASSOCIATES, INC.**  
 CONSULTING ENGINEERS  
 5940 E. Central, Suite 200 • Wichita, KS 67208-4242  
 Phone 316/685-4114 • FAX 316/685-4444



**FINAL**

Engineer: P. FERGUSON  
 Designer: P. FERGUSON  
 CITY Job No.: 472-84320    Poe Job No.: 1871  
 Date: March, 2012