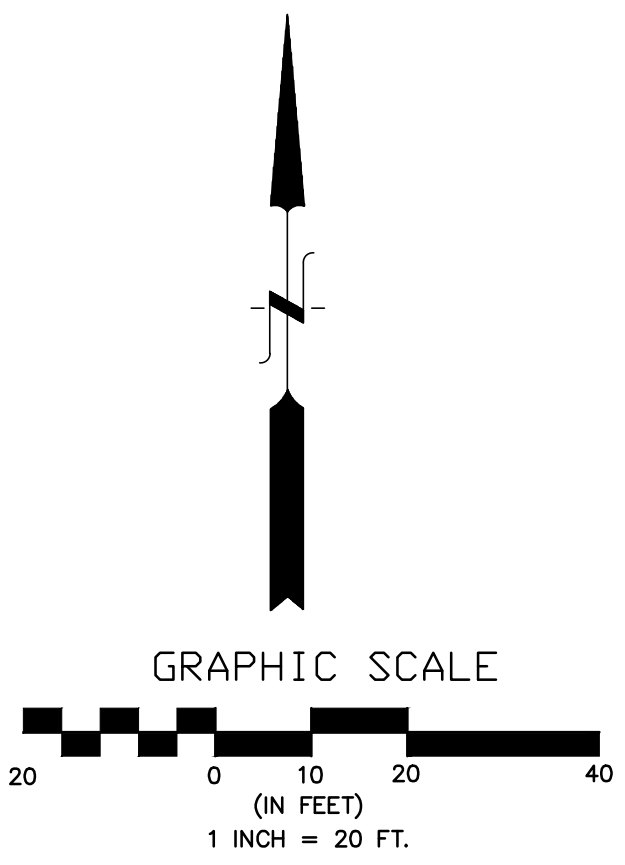


NOTE:
VIDEO CABLE AND VIDEO POWER TO BE PLACED IN EXISTING CONDUITS, SIGNAL POLES AND MAST ARMS. EXISTING SIGNAL CABLES TO REMAIN IN PLACE. REMOVE EXISTING LOOP WIRES FROM CONDUITS.

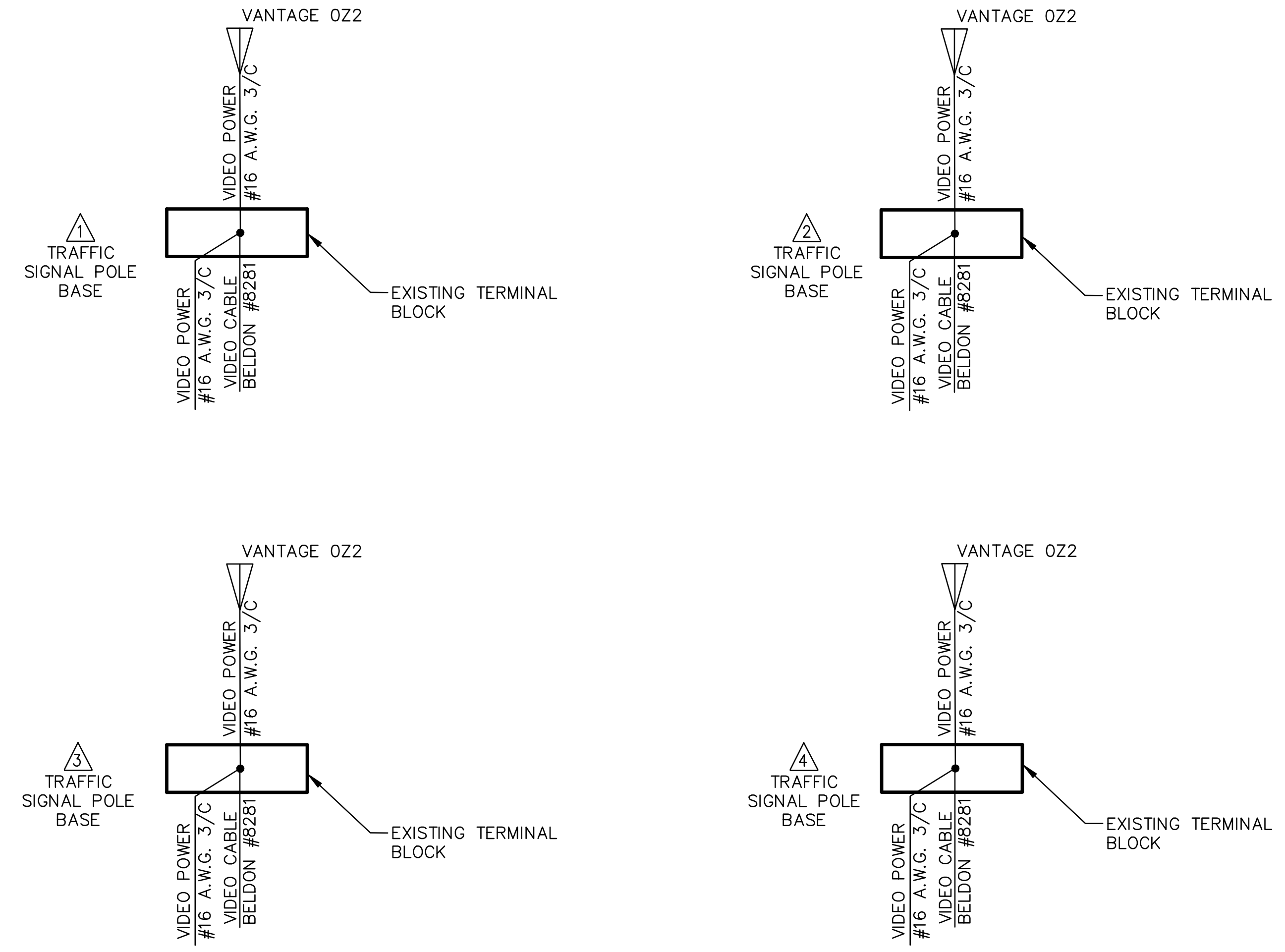


V3 Video Power Cable
CX Video Coax Cable

△ Signal Pole Reference Number
All splices to be in pole base, no splices permitted within service box.

CAMERA INSTALLATION SUMMARY				
POLE NO.	TYPE	ARM LENGTH (FT.)	NO. OF CAMERAS ON ARM	REMARKS
1	EXIST.	EXIST.	1	INSTALL VIDEO DETECTION CAMERA & MOUNTING HARDWARE ON EXIST. MAST ARM
2	EXIST.	EXIST.	1	INSTALL VIDEO DETECTION CAMERA & MOUNTING HARDWARE ON EXIST. MAST ARM
3	EXIST.	EXIST.	1	INSTALL VIDEO DETECTION CAMERA & MOUNTING HARDWARE ON EXIST. MAST ARM
4	EXIST.	EXIST.	1	INSTALL VIDEO DETECTION CAMERA & MOUNTING HARDWARE ON EXIST. MAST ARM

RECAPITULATION OF VIDEO DETECTION SYSTEM QUANTITIES		
ITEM	UNIT	QUANTITY
VIDEO DETECTION INSTALLATION (13th St. & Grove)	LUMP SUM	LUMP SUM
	1	1
TRAFFIC SIGNALIZATION (TEMPORARY) (13th St. & Grove)	LUMP SUM	LUMP SUM
	1	1

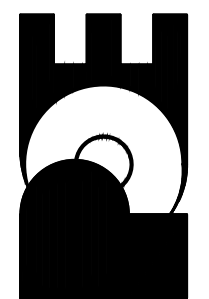


POLE WIRING DIAGRAMS

13TH STREET NORTH & GROVE INTERSECTION BILL OF MATERIALS (FOR INFORMATION ONLY)		
ITEM	QUANT.	UNIT
VIDEO DETECTION UNIT (VANTAGE EDGE MODULE OR APPROVED EQUAL)	4	EACH
VID. DET. CAM. (VANTAGE OZ2), MOUNTING HARDWARE (OR APPROVED EQUAL)	4	EACH
VIDEO CABLE 75 OHM COAXIAL (BELDON #8281 OR APPROVED EQUAL)	800	LIN FT
VIDEO POWER CABLE #16 A.W.G. 3/C	800	LIN FT

QUANTITIES FOR INFORMATION ONLY
The video detection system shall be complete and the contractor shall furnish and install all equipment and materials necessary for the satisfactory operation of electrical apparatus and for the complete operation of the video detection system whether specifically mentioned or not.

NOTE: Poles, Mast Arms, Conduits and Controller are existing.

No. Date By Approved Revision
 13TH STREET NORTH FROM KANSAS TO OLIVER
CITY OF WICHITA, KANSAS
 VIDEO DETECTION SYSTEM WIRING PLAN
 13TH STREET NORTH AND GROVE DETECTION SYSTEM
POE & ASSOCIATES, INC.
 CONSULTING ENGINEERS
 5940 E. Central, Suite 200 • Wichita, KS 67208-4242
 Phone 316/685-4114 • FAX 316/685-4444

FINAL
 Engineer: P. FERGUSON
 Designer: P. FERGUSON
 CITY Job No.: 472-84320
 Poe Job No.: 1871
 Date: March, 2012
 Sheet
 163 of 374