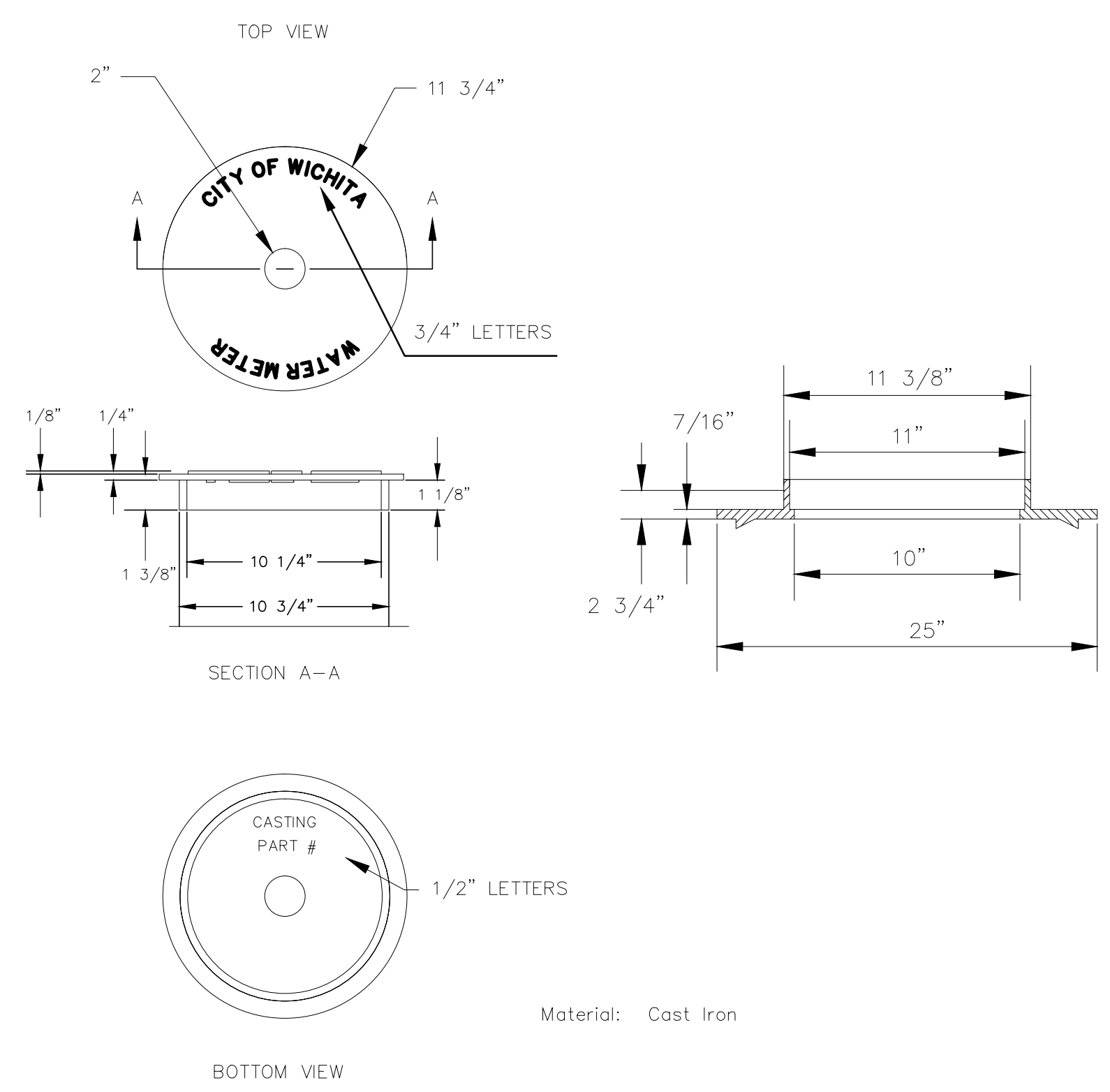
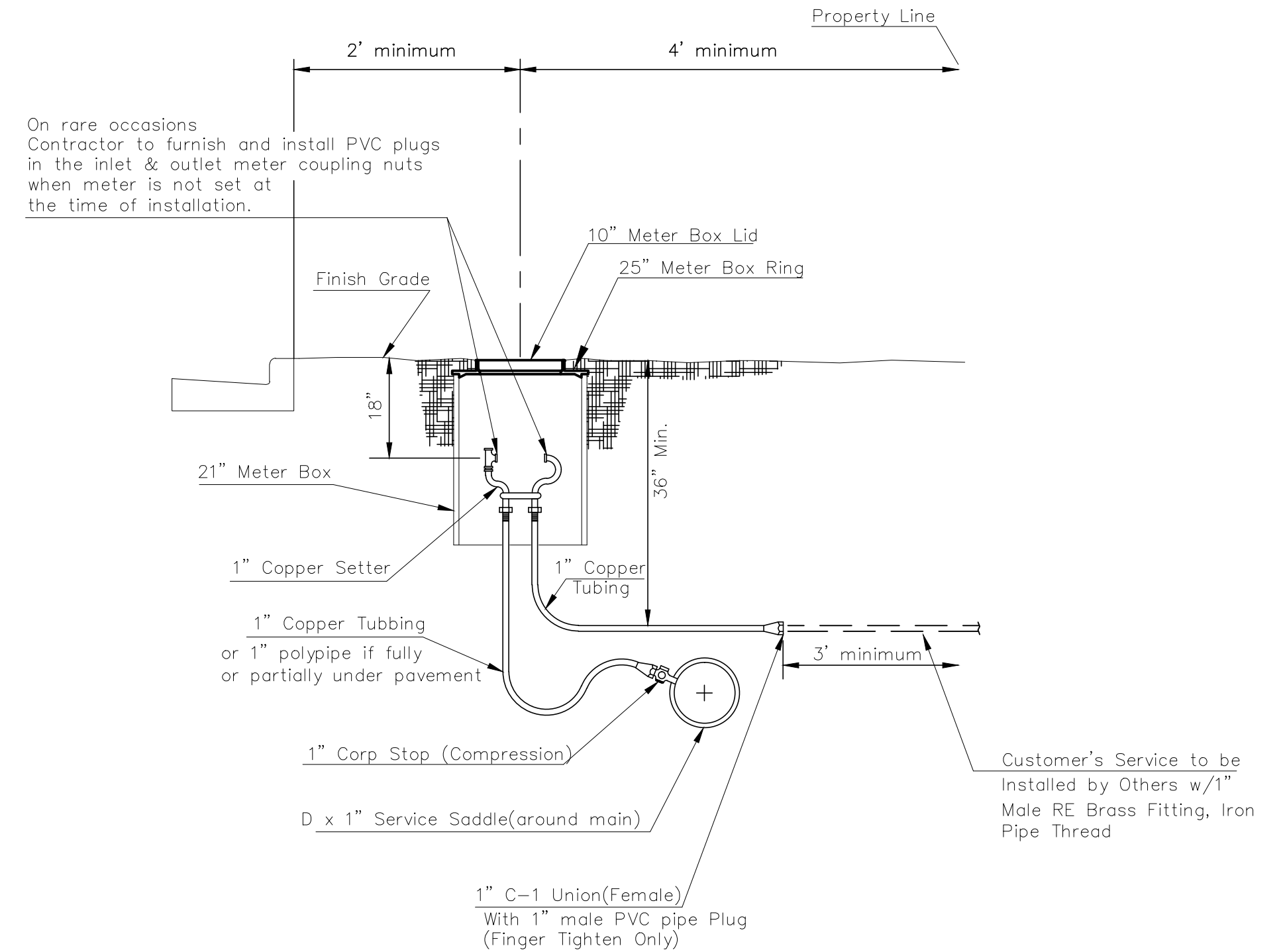


SERVICE TYPES

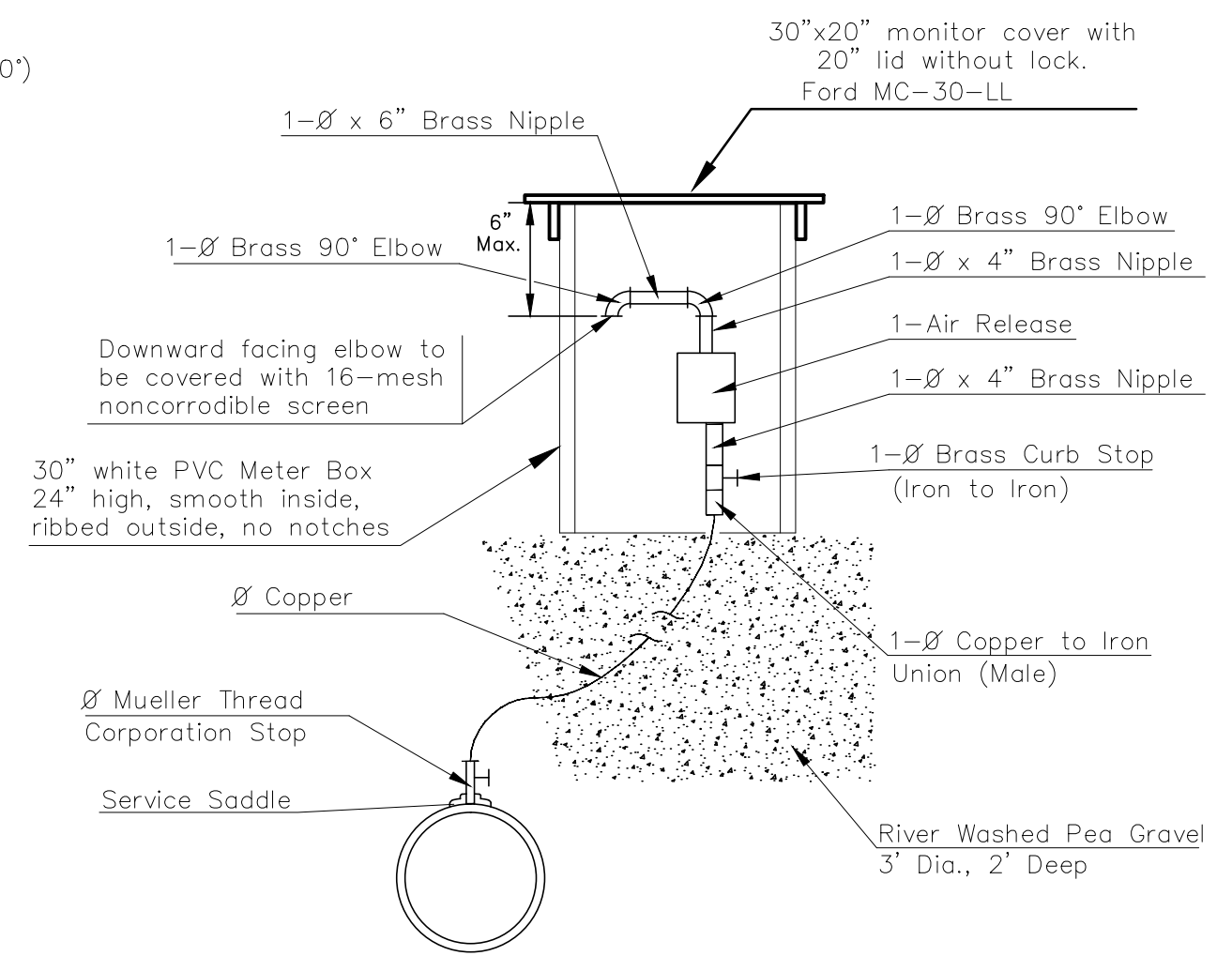


NOT TRAFFIC RATED RING & LID FOR 1" METER BOX

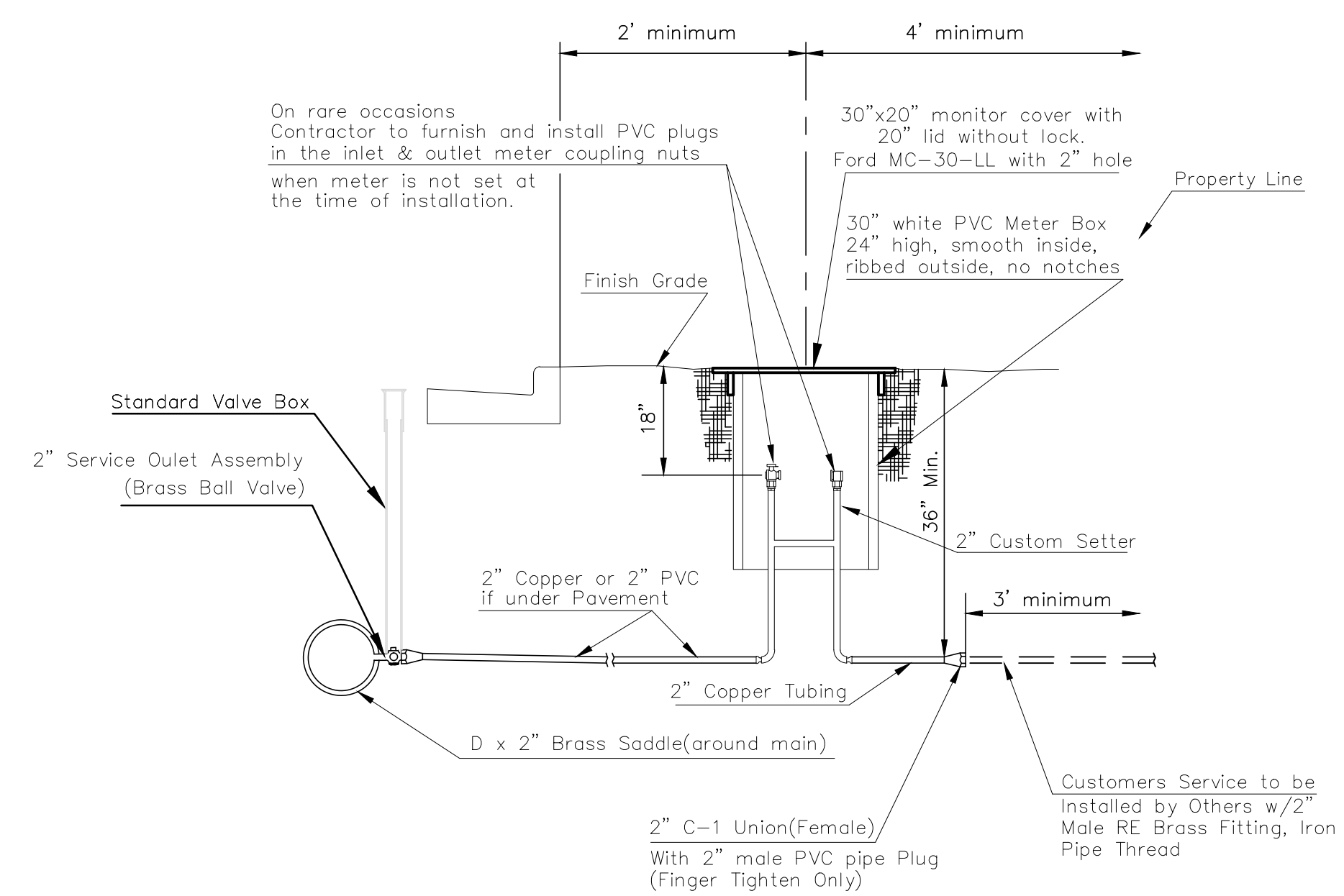


TYPICAL 1" METER SETTING

- 1 - Ø Mueller Thread Corporation Stop
- 1 - Ø Type "k" Copper Tubing
- 1 - Ø Copper to Iron Union (Male)
- 1 - Ø Brass Curb Stop (Iron to Iron)
- 2 - Øx4" Brass Nipple
- Air Release
- 2 - Ø Brass Elbows (90°)
- 1 - 1"x6" Brass Nipple
- 1 - 30" Monitor Cover
- 1 - 20" Meter Lid

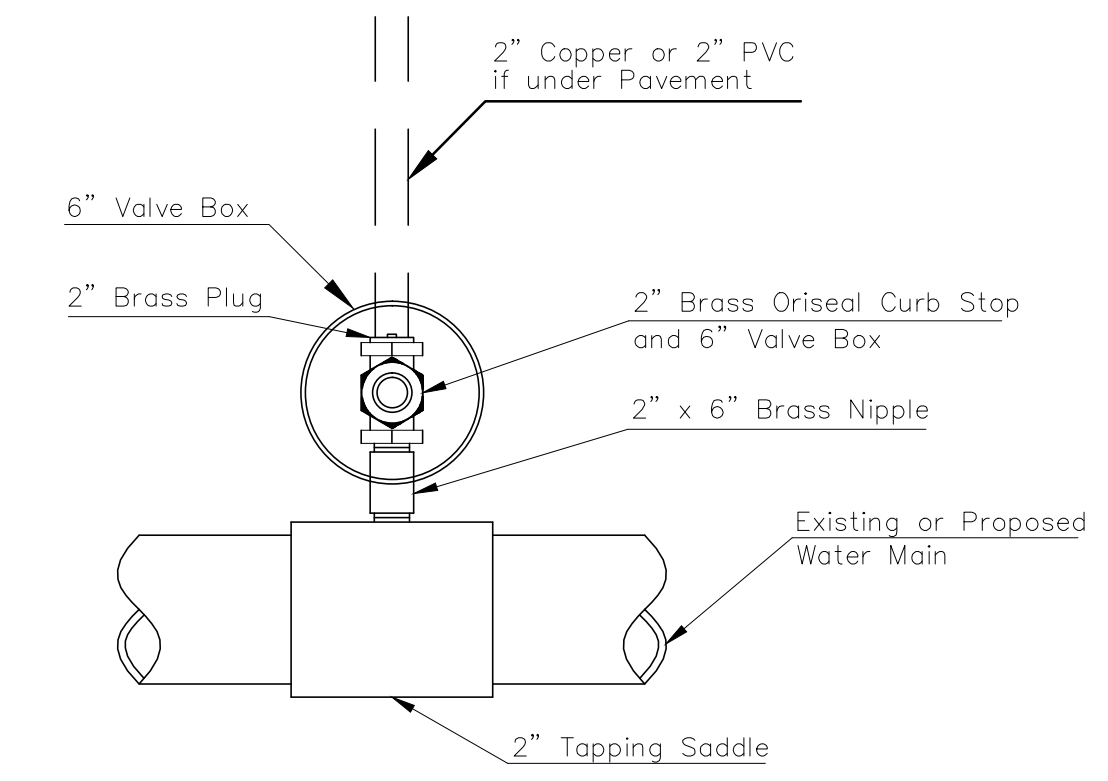


MATERIALS FOR 1" or 2" AIR RELEASE ASSEMBLY
Ø = 1" or 2"



TYPICAL 2" METER SETTING

Note: ONE VALVE STEM EXTENSION FOR EACH VALVE BURIED GREATER THAN 5'.



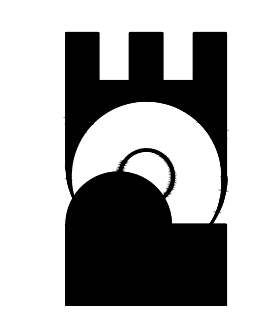
Note: Where the 2" Service Outlet Assembly is to be used to connect a 2" main to another main, the 2" valve shall be a 2" IPT Gate Valve. 2" ball or globe valves shall not be approved for this use.

2" SERVICE OUTLET ASSEMBLY



STANDARD WATER SERVICE DETAIL		
CITY ENGINEER JAMES L. ARMOUR, P.E., L.S.		
PROJECT NUMBER	OCA NUMBER	DATE 12/2011
CITY ENGINEER'S OFFICE CITY HALL - SEVENTH FLOOR 455 NORTH MAIN STREET WICHITA, KANSAS 67202-1620 (316) 268-4501		SHEET - of -

POE & ASSOCIATES, INC.
CONSULTING ENGINEERS
5940 E. Central, Suite 200
Wichita, KS 67208-4242
Phone 316/685-4114 FAX 316/685-4444



FINAL
Engineer: J. DICKMAN
Designer: M. TUCKER
Poe Job No.: 1871
Date: MARCH 2012
Sheet
335 of 374

13th STREET NORTH FROM KANSAS TO OLIVER
WATER SUPPLY IMPROVEMENTS
WATER SERVICE DETAILS
CITY OF WICHITA, KANSAS
JAMES L. ARMOUR, P.E. - CITY ENGINEER
C.O.W. Proj. # 448-9051 O.C.A. # 635803

No.	Date	By	Approved	Revision
1				
2				
3				