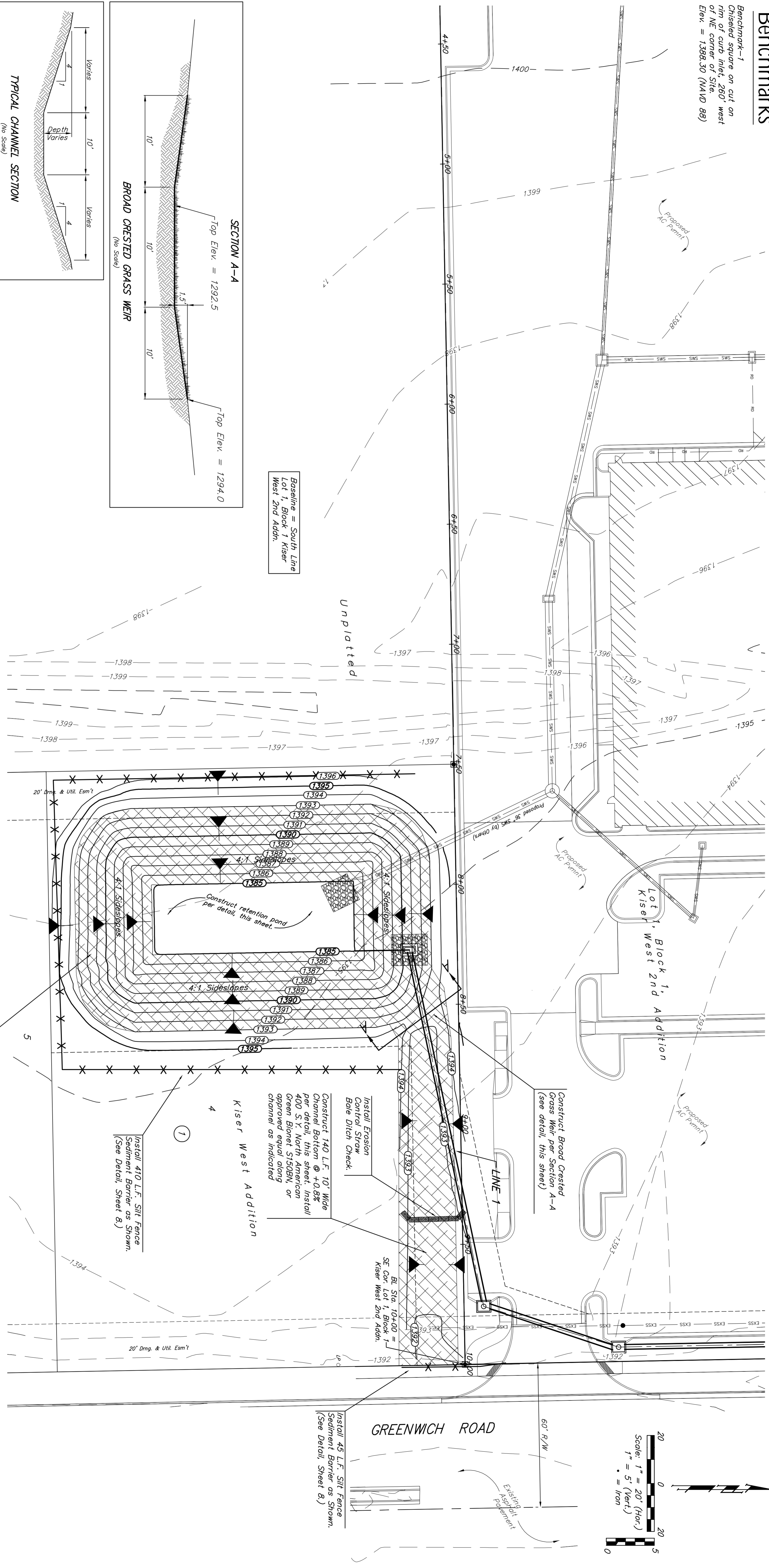
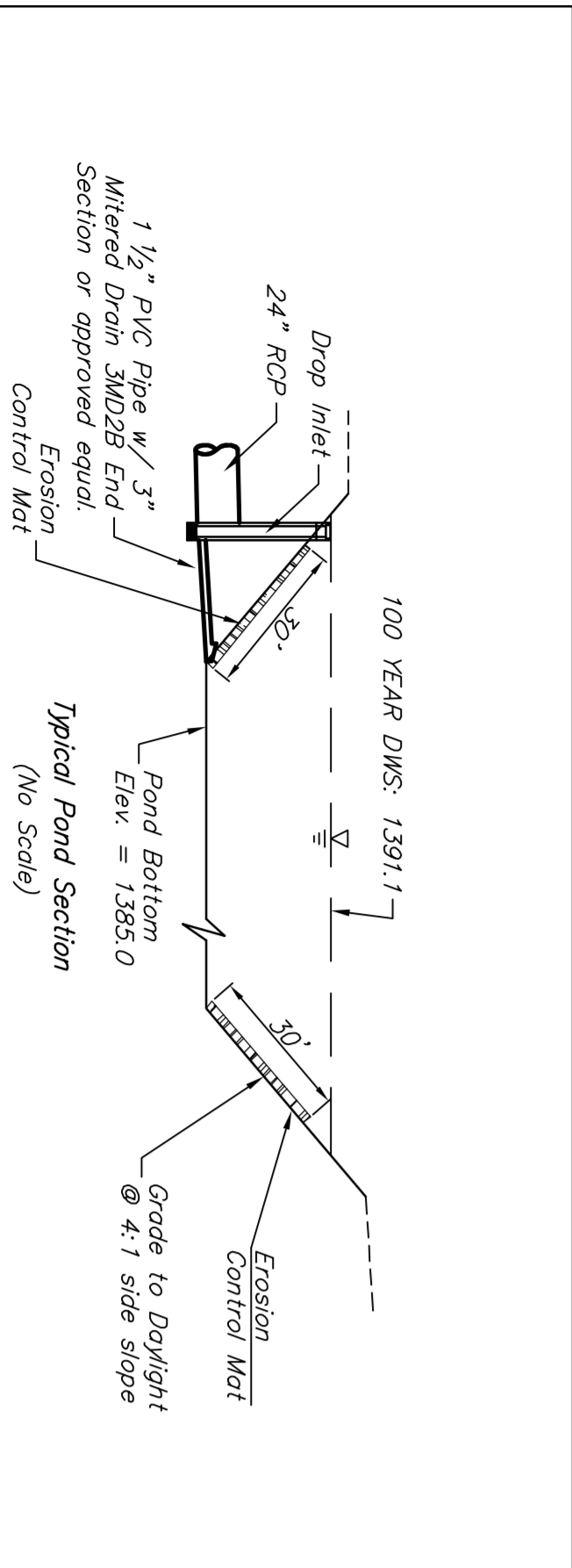
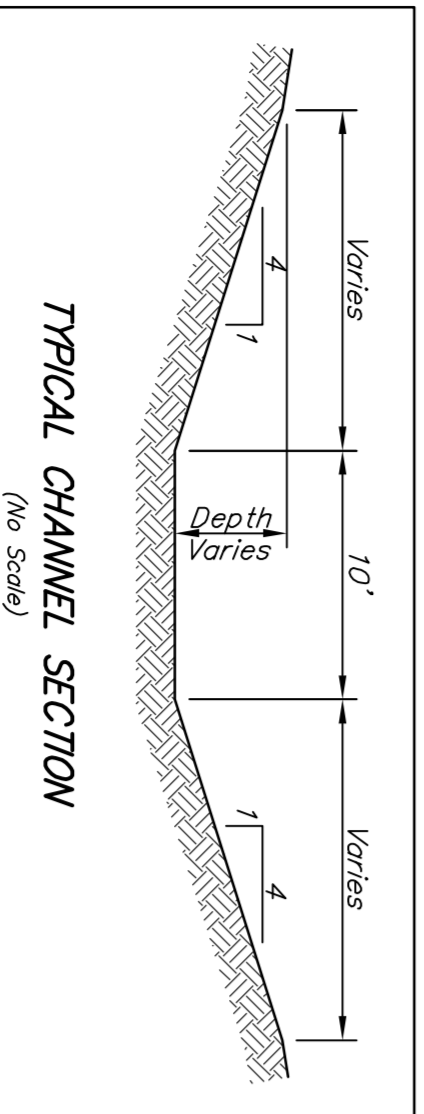
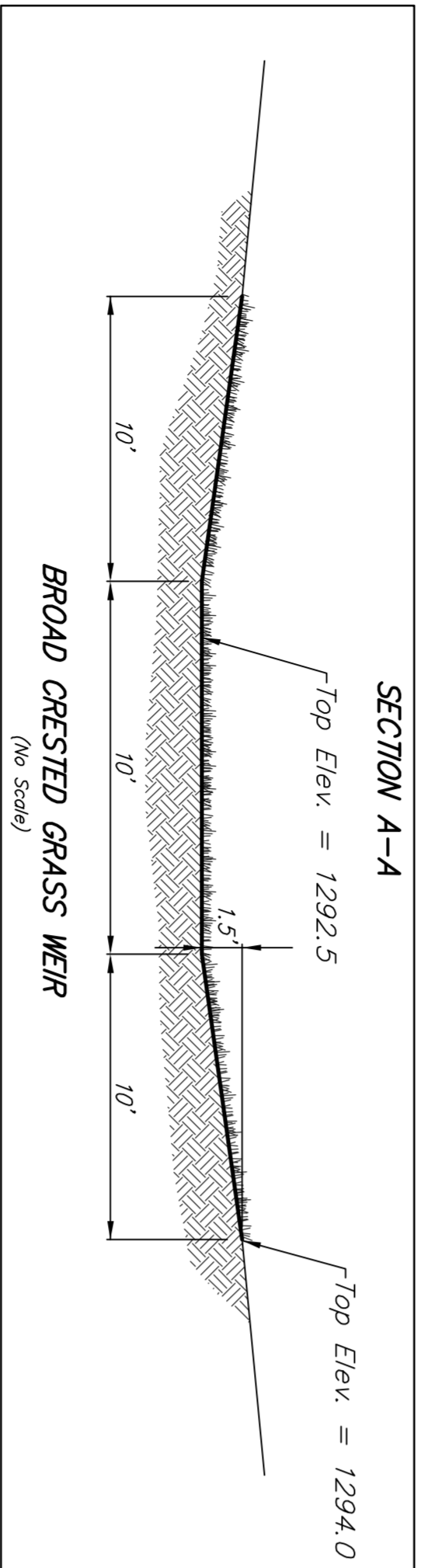


Benchmarks

Benchmark-1
Chiseled square on cut on
rim of curb inlet 260' west
of NE corner of site.
Elev. = 1388.30 (NAVD 88)



Baseline = South Line
Lot 1, Block 1 Kiser
West 2nd Addn.

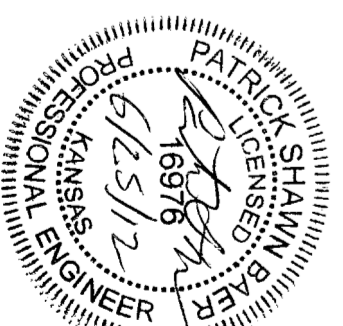


Elevation	Area	Basin Volume
1385.0	2,436	0
1386.0	3,404	2,906
1387.0	4,508	6,849
1388.0	5,710	11,946
1389.0	7,020	18,239
1390.0	8,433	25,780
1391.0	9,933	35,180
1392.0	11,535	45,902
1393.0	13,234	58,276
1394.0	15,116	72,439
1395.0	15,500	87,745

Event	Basin Event Results		Peak Vol.
	In	Out	
1-yr	19.3	1.8	39,970
2-yr	25.8	9.4	44,740
5-yr	35.3	22.8	51,070
10-yr	42.0	31.7	54,720
25-yr	50.6	36.8	60,670
50-yr	58.3	42.7	65,885
100-yr	65.9	49.9	70,865

NOTE:
Detention Basin Shall
be Operated and
Maintained Privately

Install 1,200 S.Y. North American Green Binnet S150BN, or approved equal around pond as indicated (See Detail, Sheet 6.) Erosion control mat shall be installed and anchored per manufacturer's specifications. Note: This quantity does not include excess material necessary for overlap and anchoring.



Baughman
Stormwater Drain #379

Kiser West 2nd Addition POND PLAN

PROJECT NUMBER: 48884175
DESIGN: PSB
APPROVED: JMK
DATE: 6/05/12

SCALE: Noted
SHEET: 4 OF 16

BAUGHMAN COMPANY, P.A. TRISTAR NORTH EASTON, ESTABLISHED 1952
ENGINEERING | SURVEYING | PLANNING | LANDSCAPE ARCHITECTURE

1000 S. 15TH ST., SUITE 200, PHILADELPHIA, PA 19102
TEL: 215-581-1100 FAX: 215-581-1101
WWW.BAUGHMANCOMPANY.COM