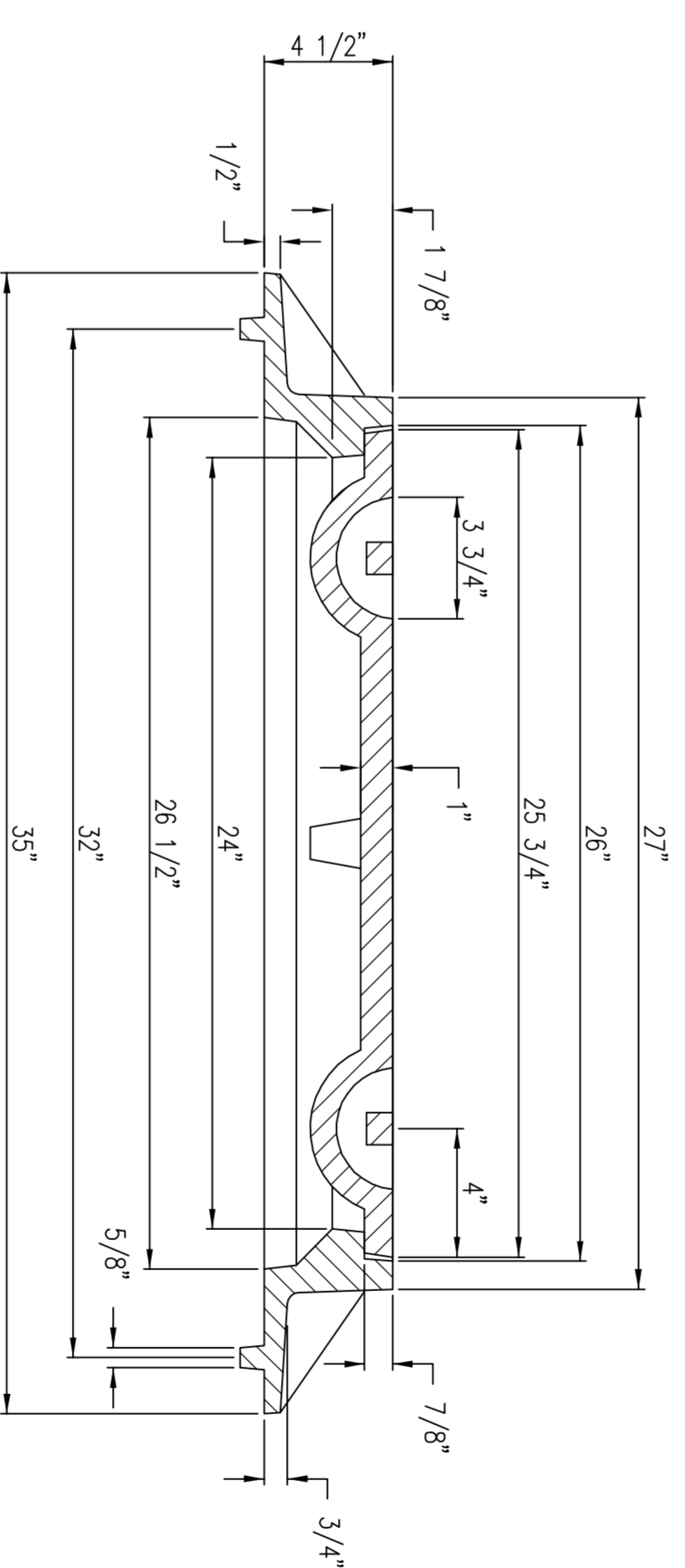
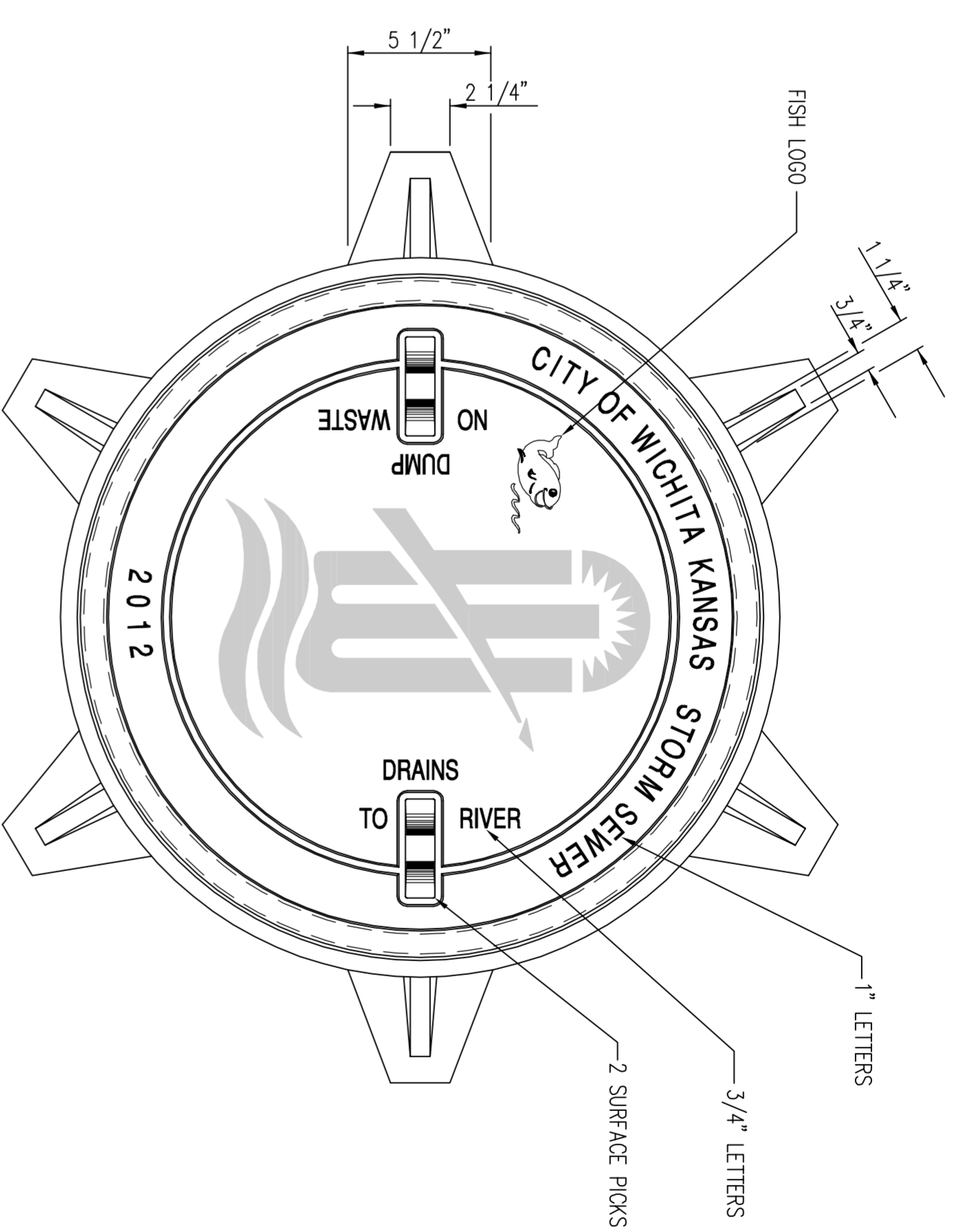



MANHOLE FRAME
DEETER #1261 OR EJIW #1936-Z1

- NOTE:
1. FURNISHED WITH MACHINED HORIZONTAL BEARING SURFACE.
 2. COVER TO BE DEETER #1261 OR EJIW #1936A.



INLET FRAME
DEETER #2014 OR EJIW #1936-Z4

- NOTE:
1. FURNISHED WITH MACHINED HORIZONTAL BEARING SURFACES.
 2. NOT TO BE USED UNDER PAVEMENT.
 3. COVER TO BE DEETER #1261 OR EJIW #1936A.

 CITY OF WICHITA PUBLIC WORKS & UTILITIES ENGINEERING DIVISION		MANHOLE/INLET FRAME AND COVER (STORM SEWER)	
		CITY ENGINEER Gary Janzen, P.E. Interim City Engineer	
PROJECT NUMBER	O&A NUMBER	DATE	DRAWN
468-84775		6/05/12	Staff
CITY ENGINEER'S OFFICE		DESIGN	STAFF
CITY HALL - SEVENTH FLOOR		SHEET	15 of 16
435 NORTH MAIN STREET			
WICHITA, KANSAS 67202-1620			
(316) 268-4501			