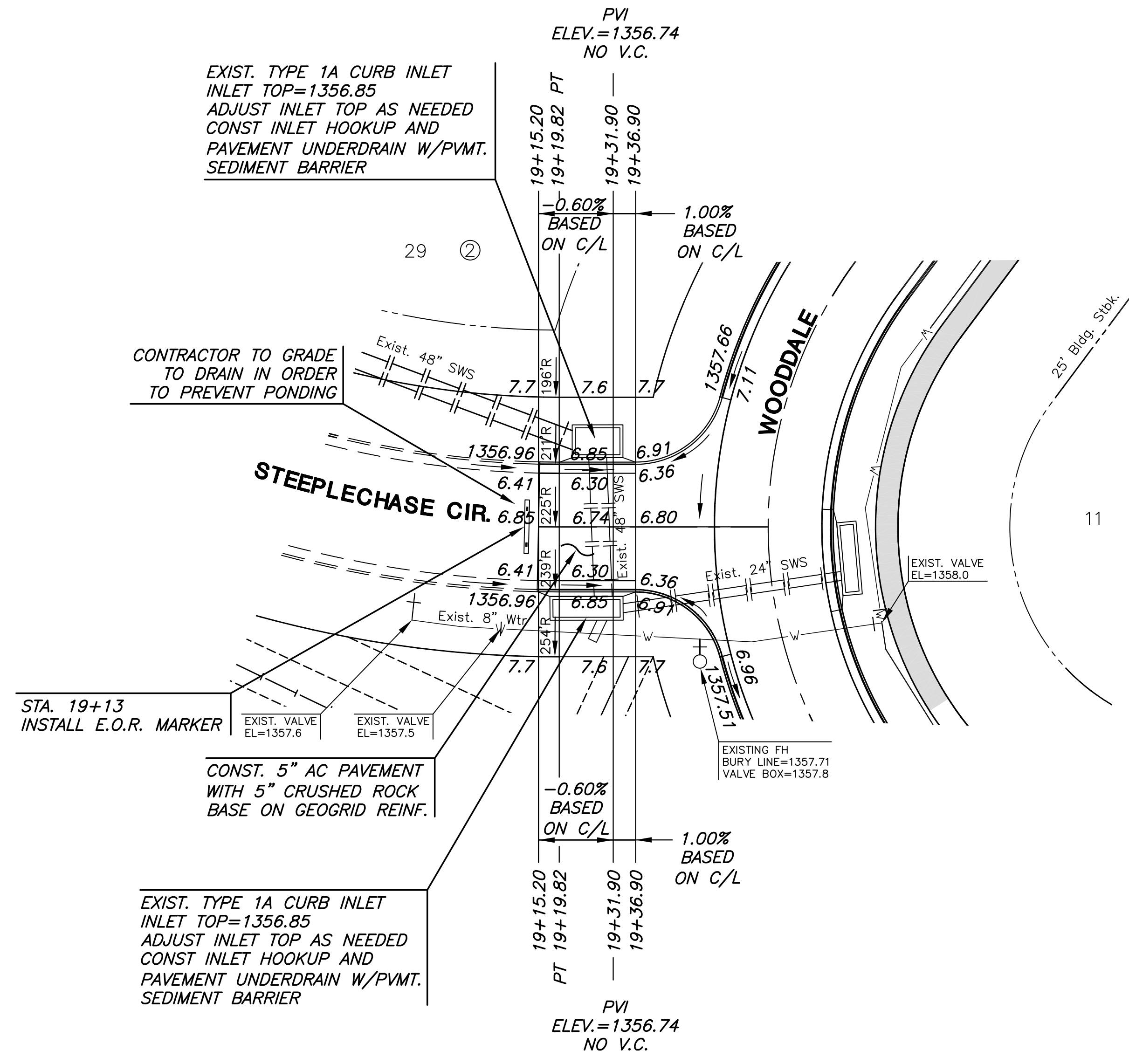


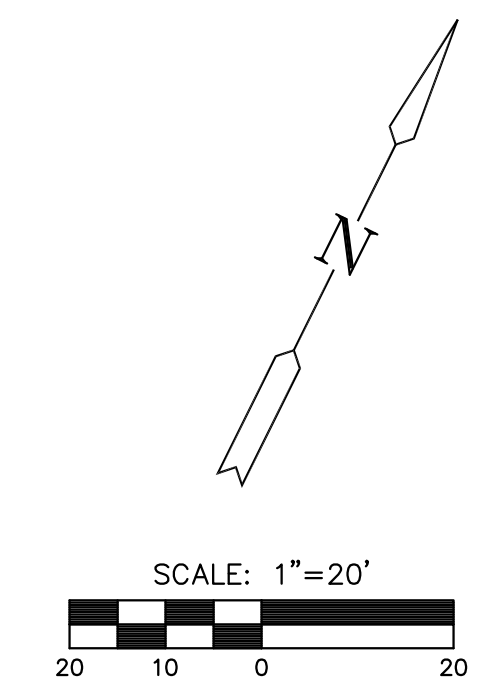
PAVING PLANS
KRUG SOUTH ADDITION
PHASE 3



LEGEND

- ⊕ STREET SIGN & SIGN LOCATION
(SEE SIGN ASSEMBLY TABLE
FOR TYPE & STATION OF SIGN)
- ▨ 10' TRANSITION FROM ROLL
CURB TO FULL CURB

NOTE:
TOP OF CURB ELEVATIONS SHOWN
ARE FOR FULL CURB. CONSTRUCT
CURB AND GUTTER AS NOTED.



STEEPLECHASE
SHEET TITLE
472-85056
PROJECT NUMBER

DFL / JWC / GJA
DESIGNED / DRAWN / CHECKED

ISSUED
July 2012
REVISED

SHEET NO.
11 of 23