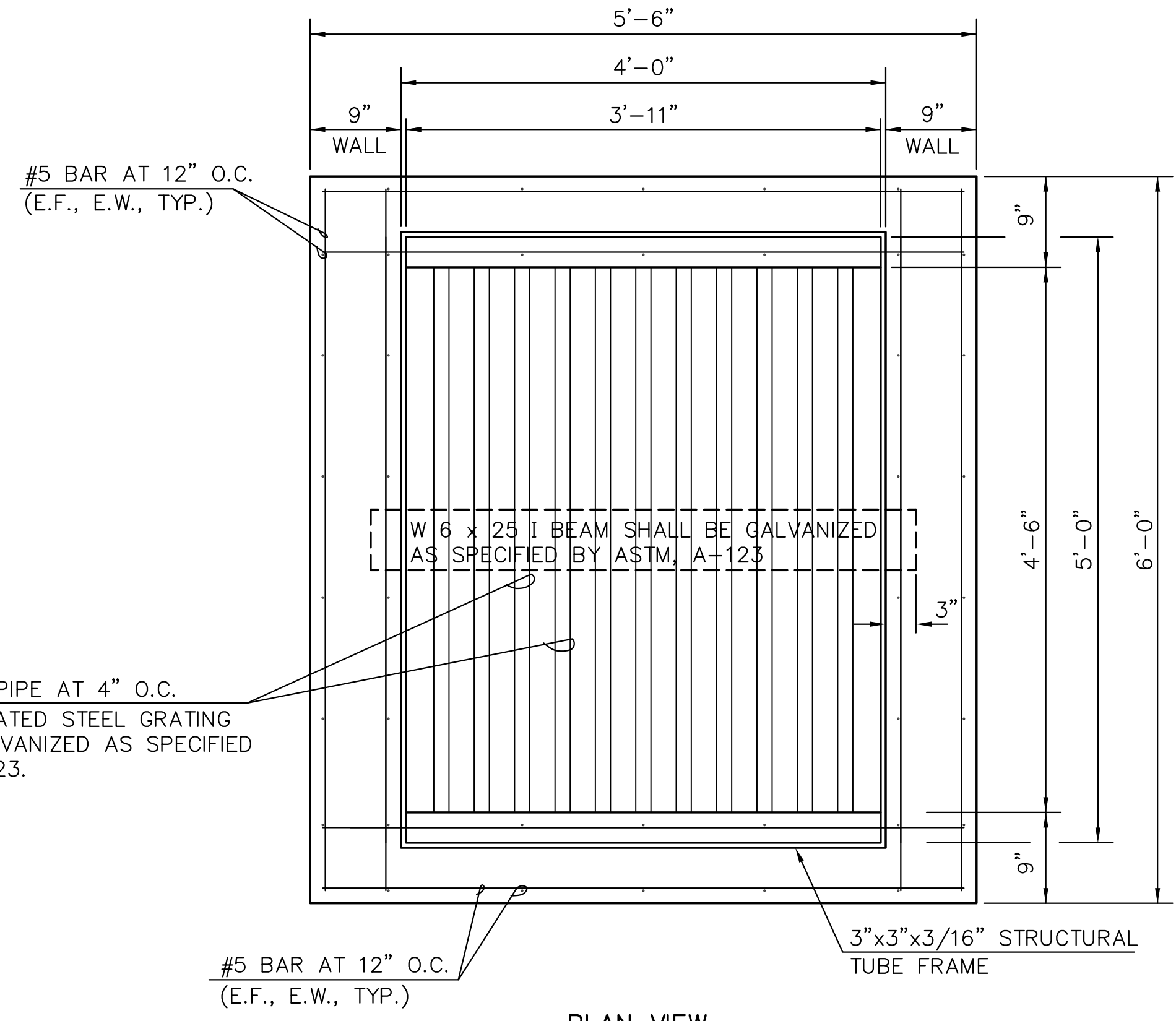
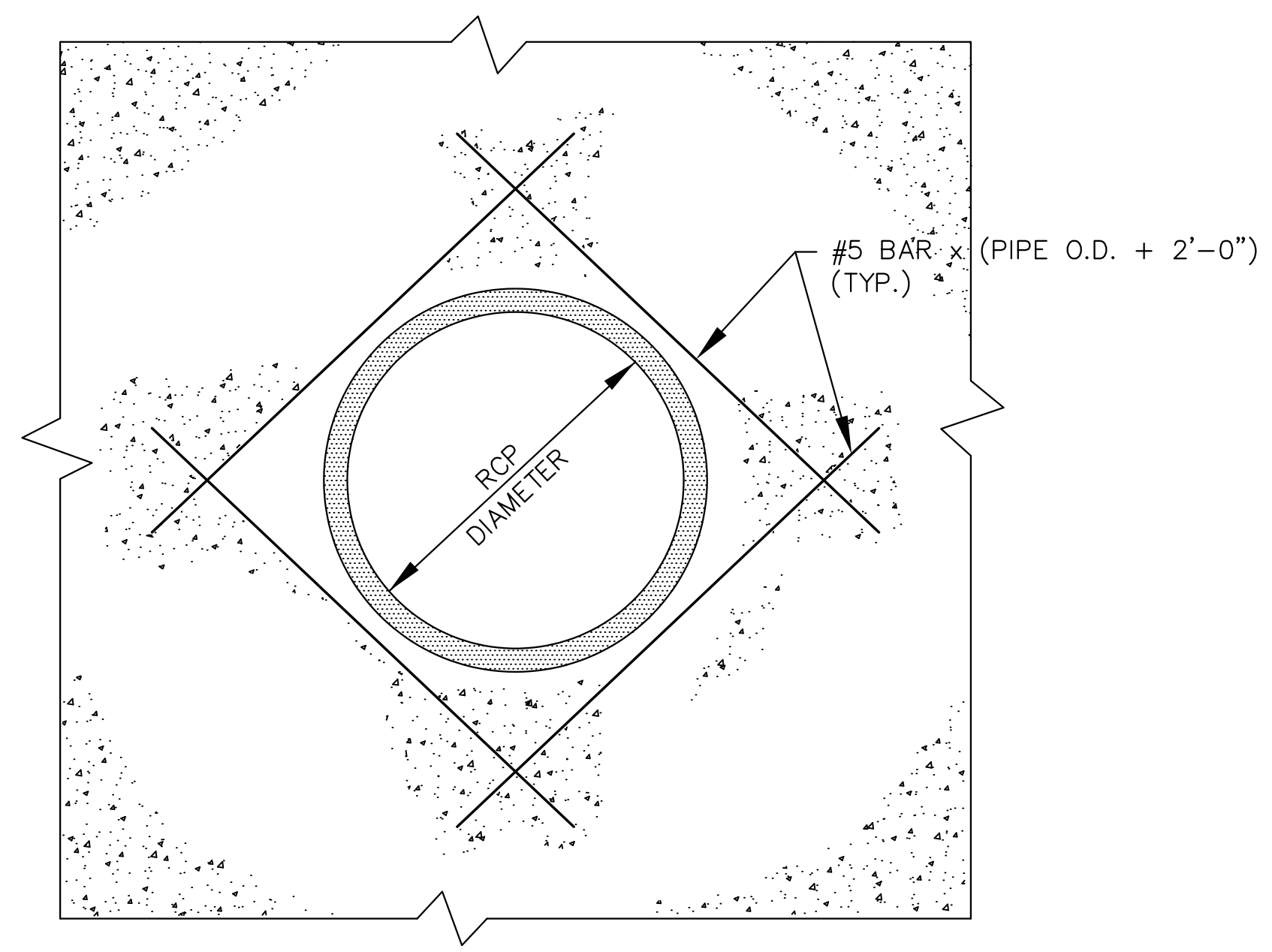


SWD 321
KRUG SOUTH ADDITION
PHASE 2

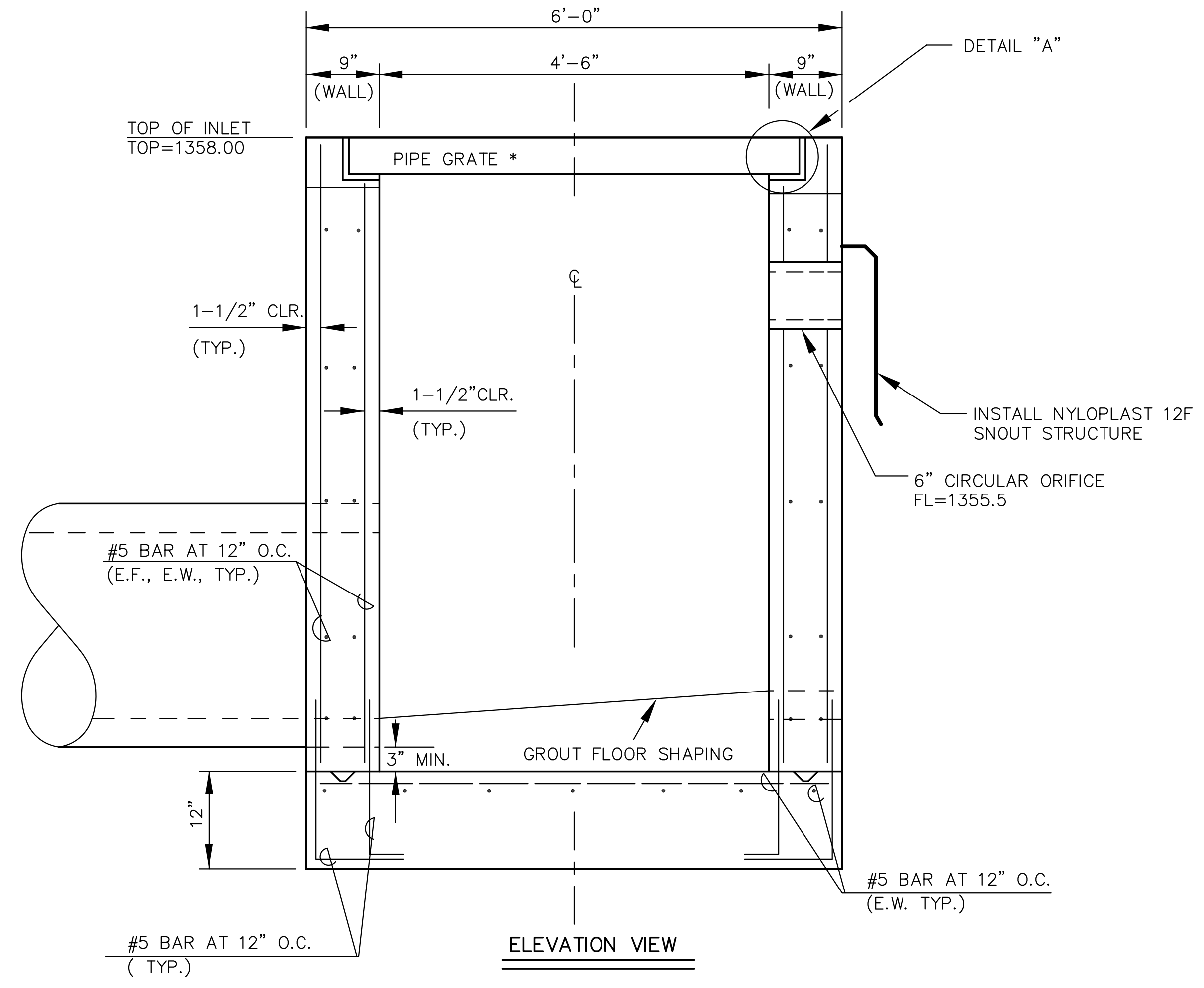


PLAN VIEW



NOTE:
CUT REINFORCING AS REQUIRED TO CLEAR RCP.

TYPICAL REINFORCING AT PIPE

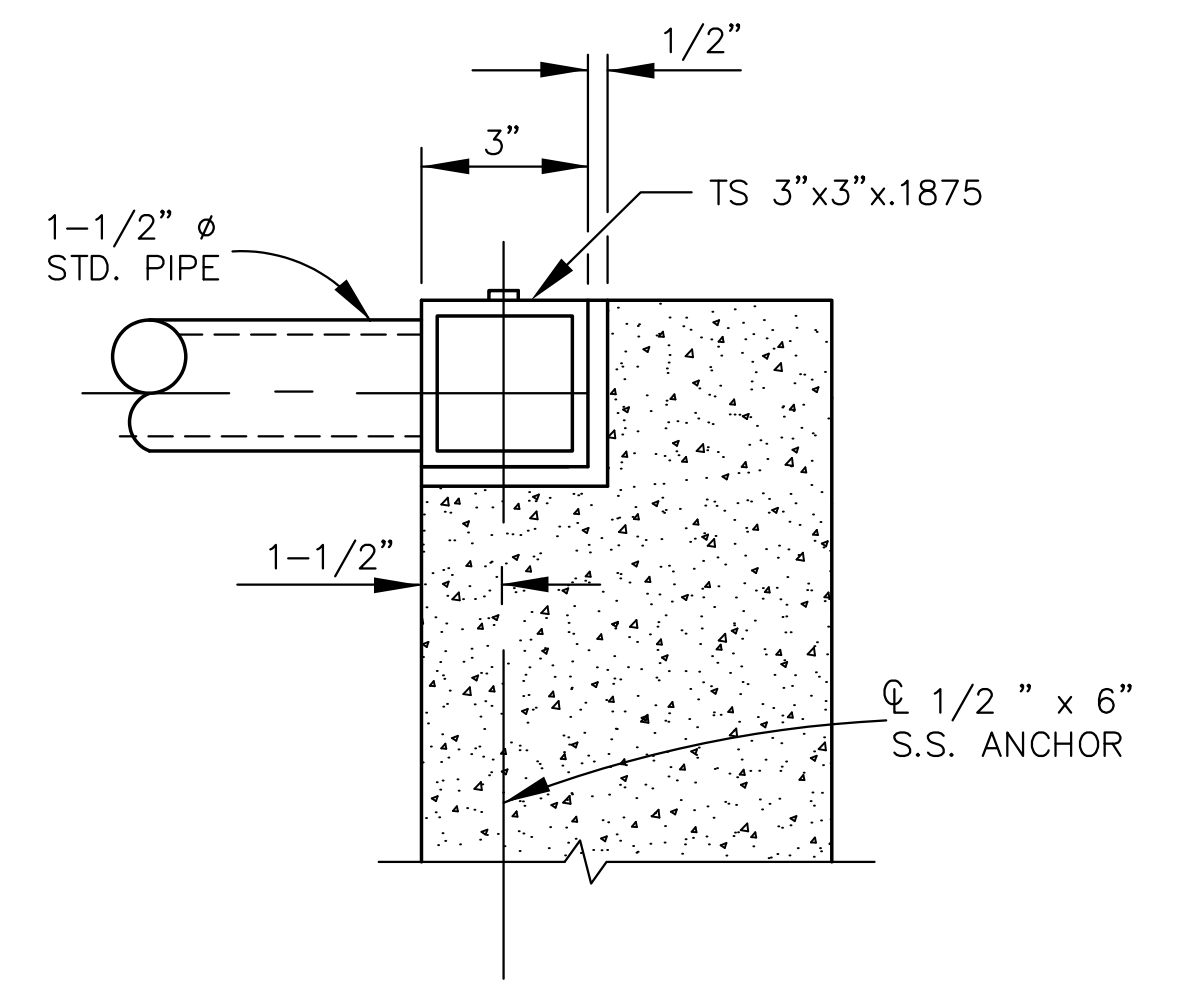


ELEVATION VIEW

WATERTIGHT REINFORCED CONCRETE AREA INLET

MATERIAL SPEC'S

- MORTAR - TYPE "M"
- BRICK - ASTM C62 GRADE MW
- STEEL - ASTM A36 OR EQUIVALENT
- GALV. - ASTM A-123 STDS.
- CONCRETE - $F'_c = 4,000$ PSI MINIMUM WITH 6 SACKS OF CEMENT PER CUBIC YARD MINIMUM.



NOTE:
FABRICATED STEEL GRATING SHALL BE GALVANIZED AS SPECIFIED BY ASTM A-123.

DETAIL "A"

ORIFICE EQUATION				
$Q = C * A * \sqrt{2gh}$				
h (DEPTH)	2g	C	A	Q
0.5	64.4	0.7	8.625	34.3 cfs
1.0	64.4	0.6	8.625	41.5 cfs
2.0	64.4	0.6	8.625	58.7 cfs
2.0	64.4	0.7	8.625	68.5 cfs
3.0	64.4	0.6	8.625	71.9 cfs
4.0	64.4	0.6	8.625	83.1 cfs
5.0	64.4	0.6	8.625	92.9 cfs
6.0	64.4	0.6	8.625	101.7 cfs
7.0	64.4	0.6	8.625	109.9 cfs
8.0	64.4	0.6	8.625	117.5 cfs

AREA INLET
SHEET TITLE
468-84328
PROJECT NUMBER

SPE / **JWC** / **GJA**
DESIGNED / DRAWN / CHECKED

ISSUED
July 2012
REVISED

SHEET NO.
7 of 16