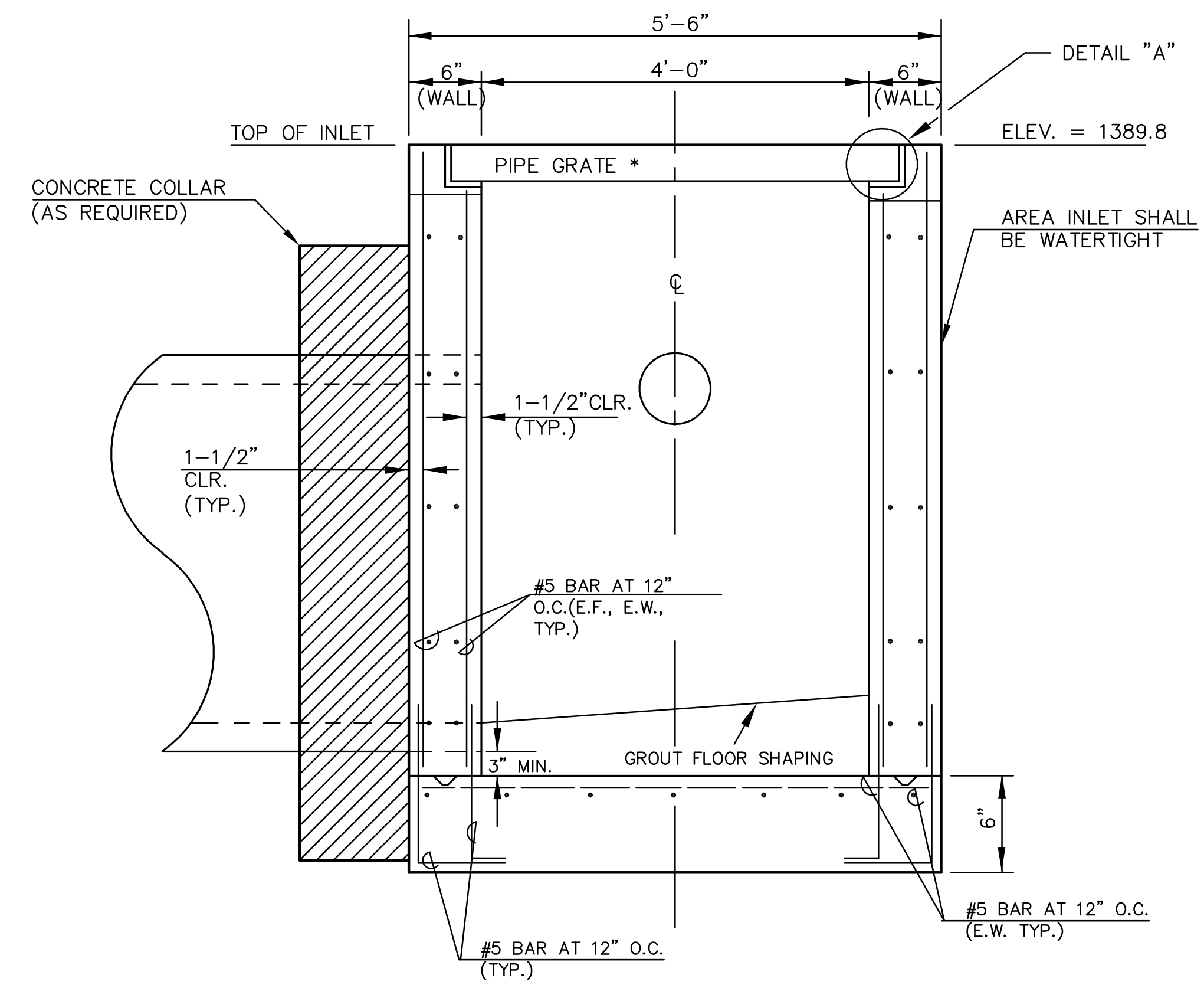
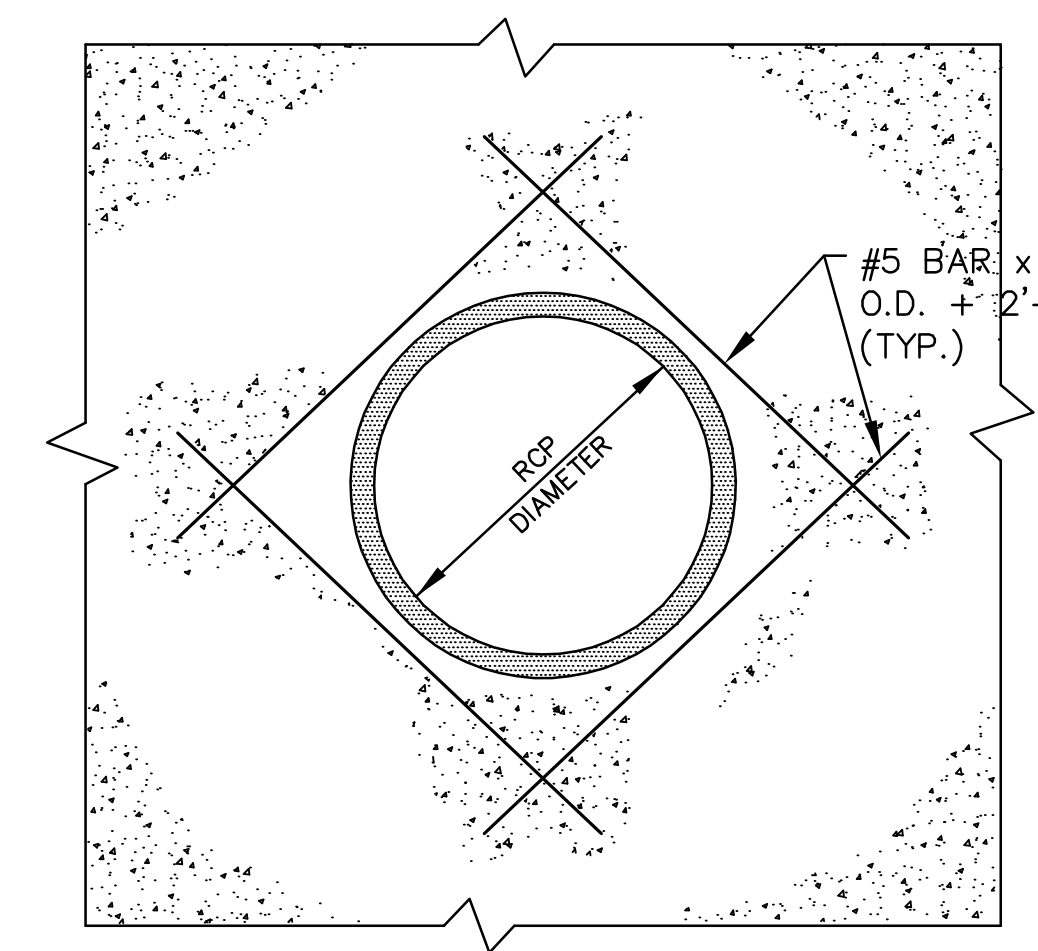


PLAN VIEW

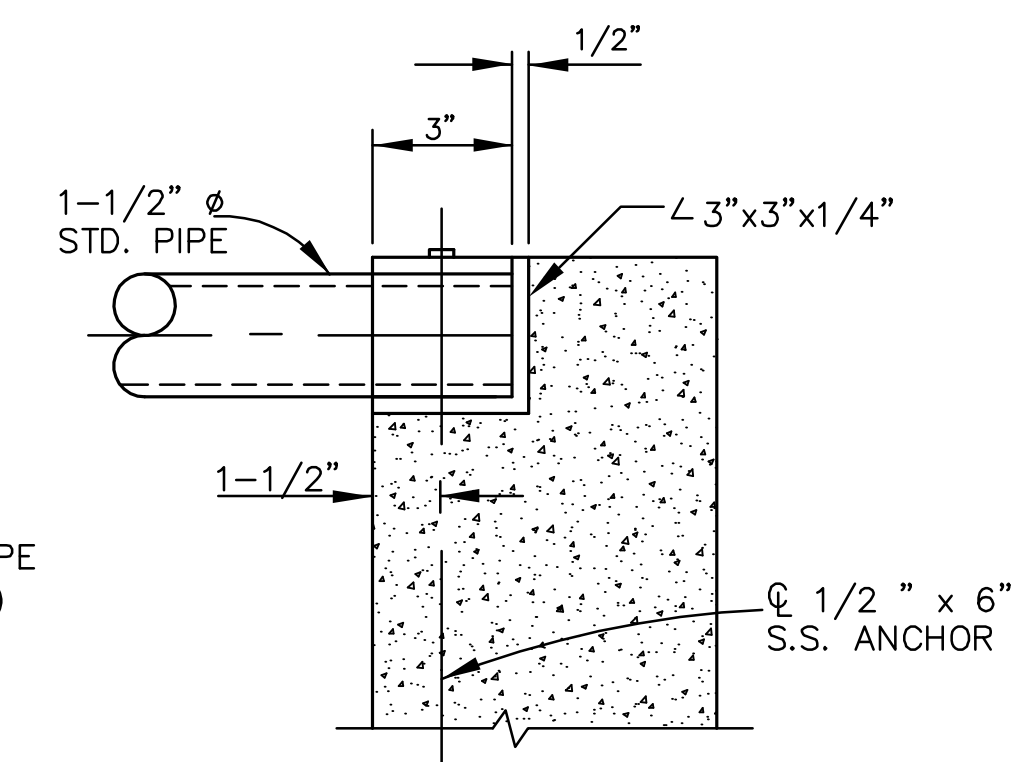


ELEVATION VIEW

REINFORCED CONCRETE AREA INLET



TYPICAL REINFORCING AT PIPE



DETAIL "A"

MATERIAL SPEC'S
MORTAR - TYPE "M"
BRICK - ASTM C62 GRADE MW GALV. ASTM A-123 STDS.
CONCRETE - $f'_c = 4,000$ PSI MINIMUM WITH 6 SACKS OF CEMENT PER CUBIC YARD MINIMUM.

