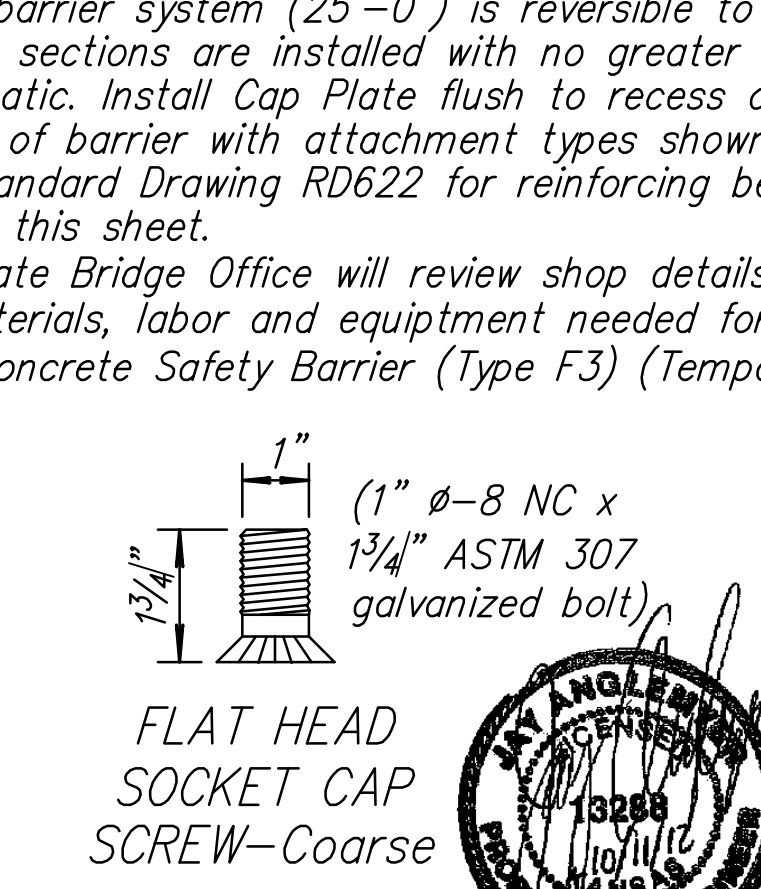
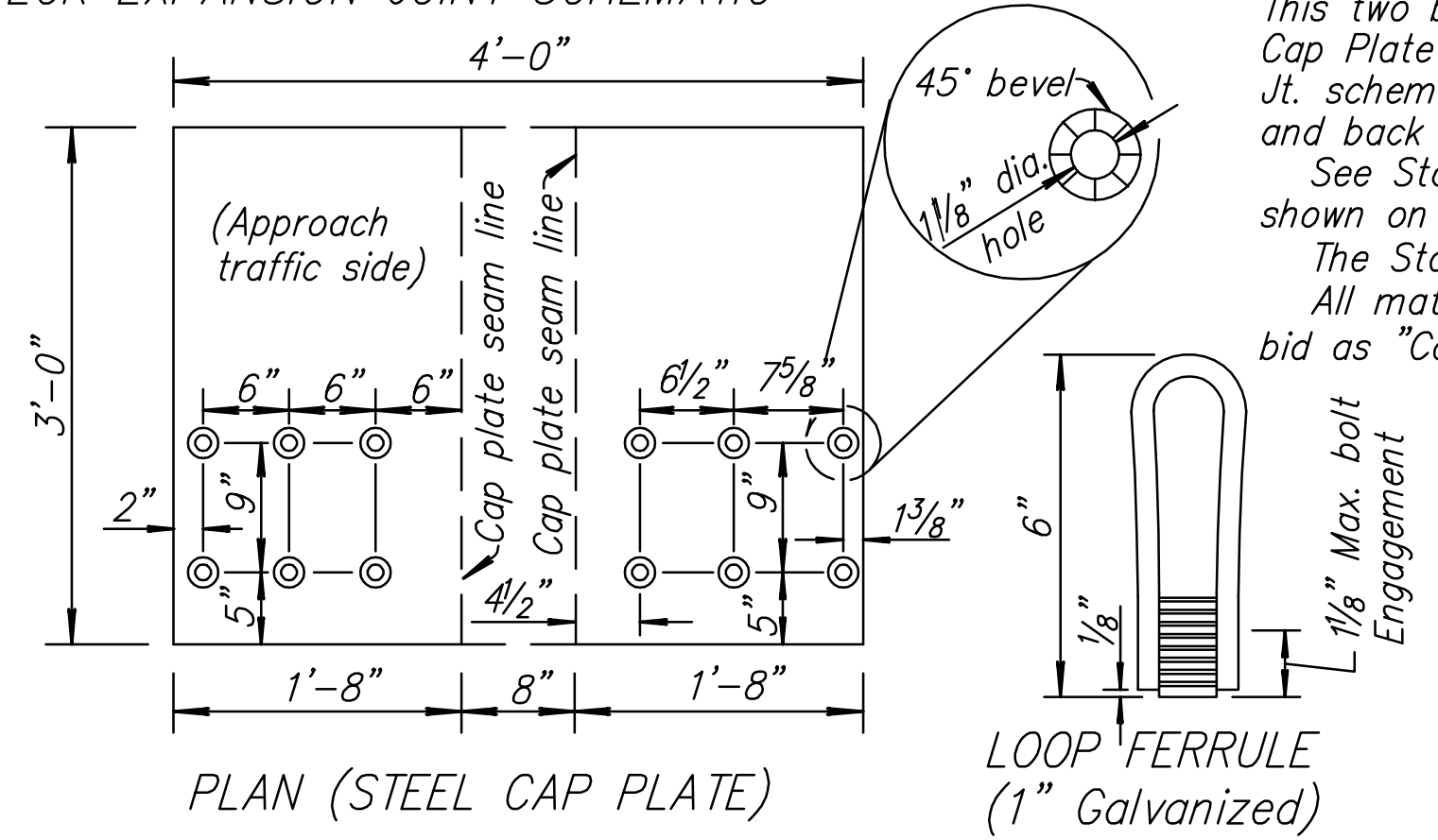
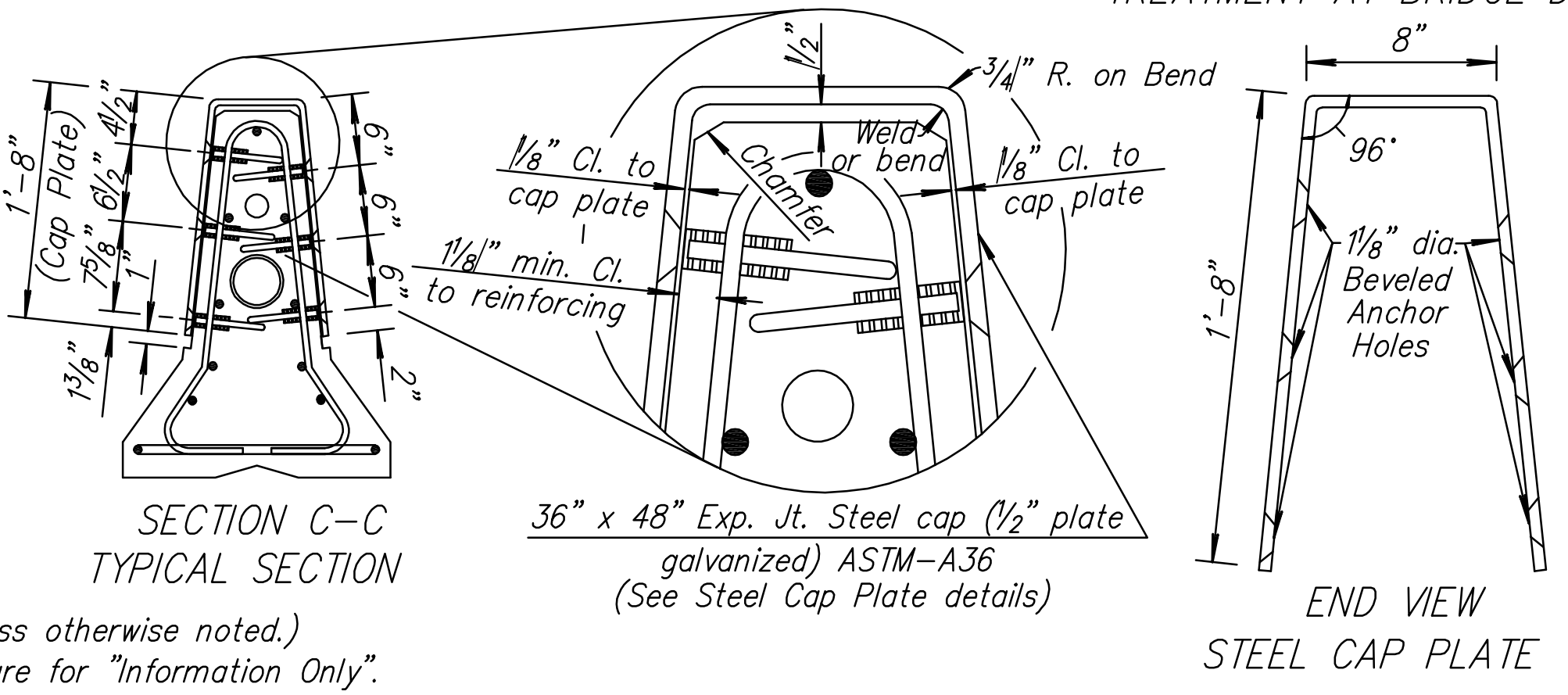


Per 12'-6" Barrier Section

REINFORCING A615 Gr. 60				
Bar	Bar Size	Shape	No. of Bars	Length Ft. / Weight Lbs.
a1	#4		16	6'-0" / 64.1
a2	#6		6	2'-11" / 26.3
b1	#5		9	12'-2" / 114.2
LOOP ASSEMBLY				
d4	#6		3	8'-2" / 36.8
			1/2" Structural Steel Cap Plate	201.3



3	7-26-07	Chg. flat head screw & ferrul to 1" ϕ	S.W.K.	J.O.B.
NO.	DATE	REVISIONS	BY	APP'D
KANSAS DEPARTMENT OF TRANSPORTATION				
TEMPORARY CONCRETE SAFETY BARRIER TYPE F3 ANCHORAGE at EXPANSION JT.				
RD622C				
DESIGNED	J.P.J.	DATE	10/11/12	BY
DESIGN CK.	DETAIL CK.	QUANTITIES	TRACED	B.N.B.
		QUAN.CK.	TRACE CK.	S.W.K.