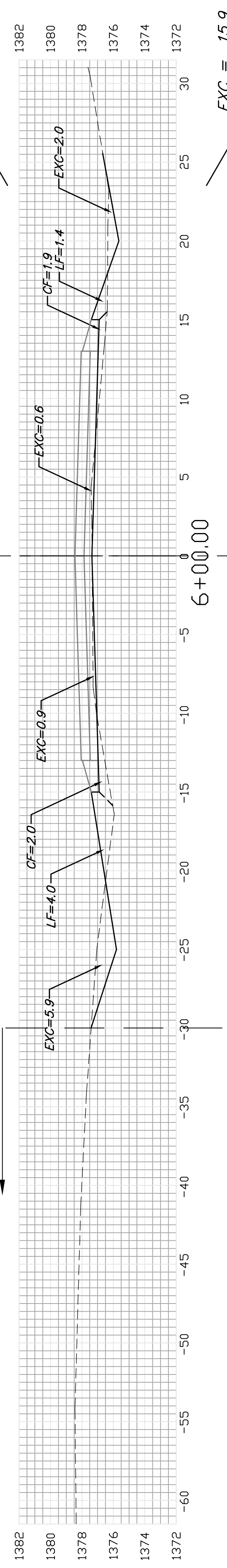


50' Conoco Pipeline Co. Easement (No Grading)

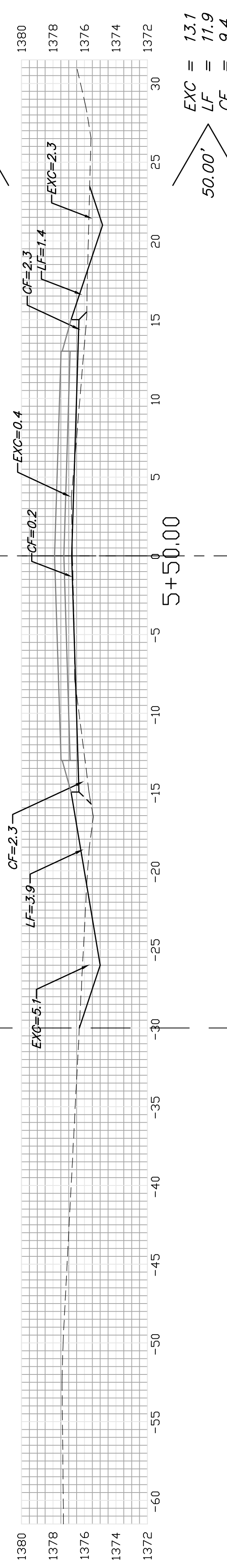
50.00'

EXC = 15.5
LF = 10.8
CF = 6.6



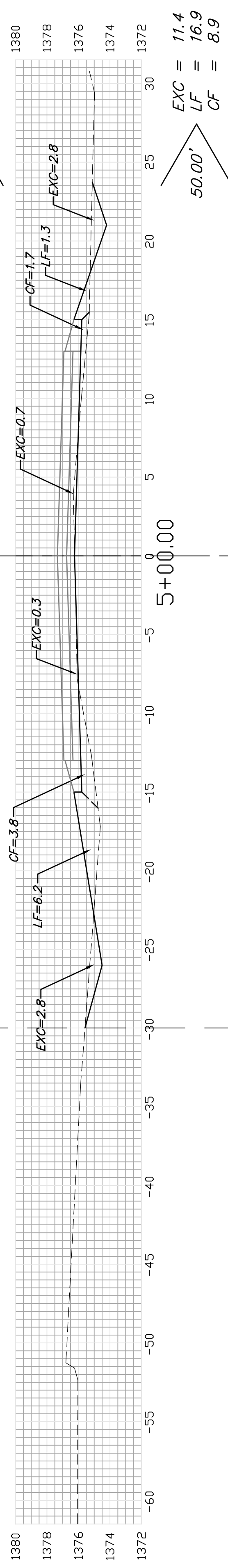
50.00'

EXC = 15.9
LF = 9.9
CF = 7.9



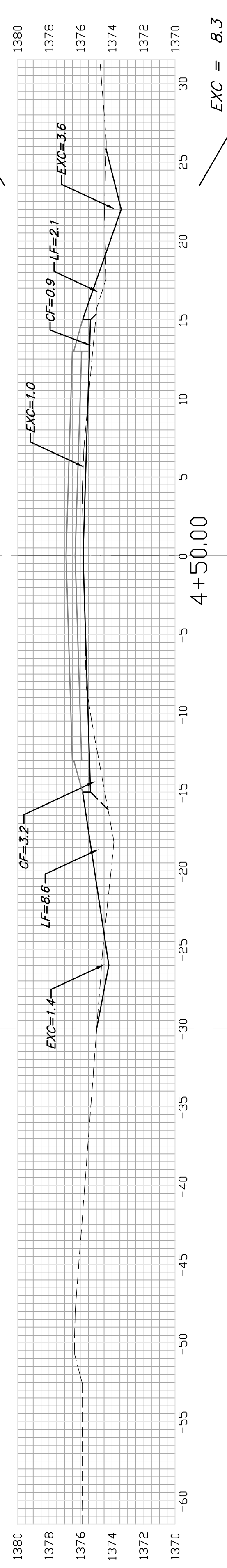
50.00'

EXC = 13.1
LF = 11.9
CF = 9.4



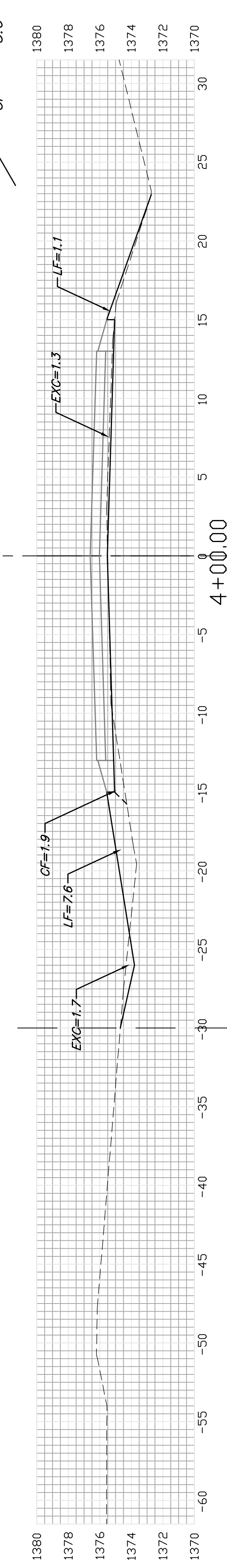
50.00'

EXC = 8.3
LF = 18.0
CF = 5.6



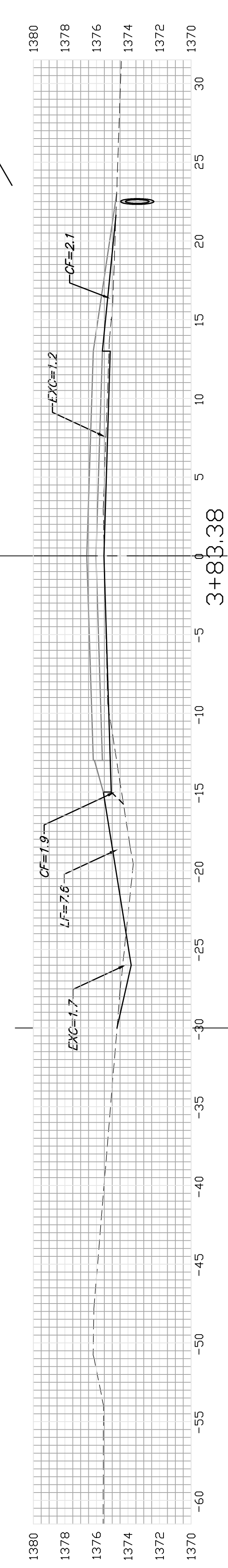
50.00'

EXC = 1.8
LF = 5.0
CF = 1.8



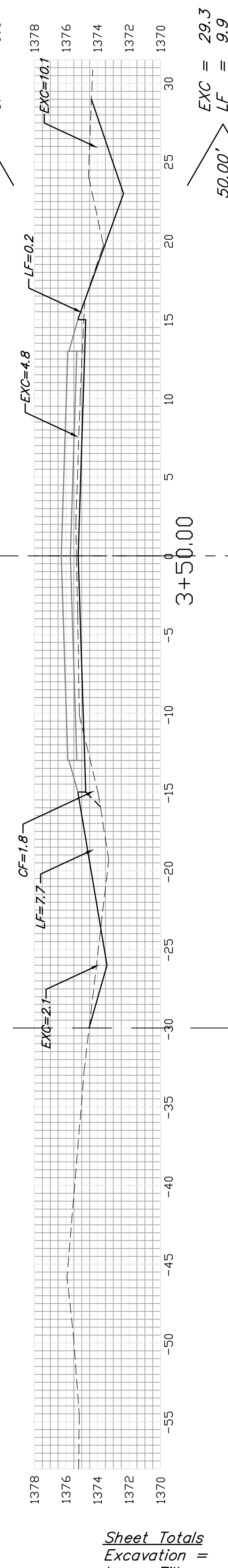
16.62'

EXC = 12.3
LF = 9.6
CF = 6.6



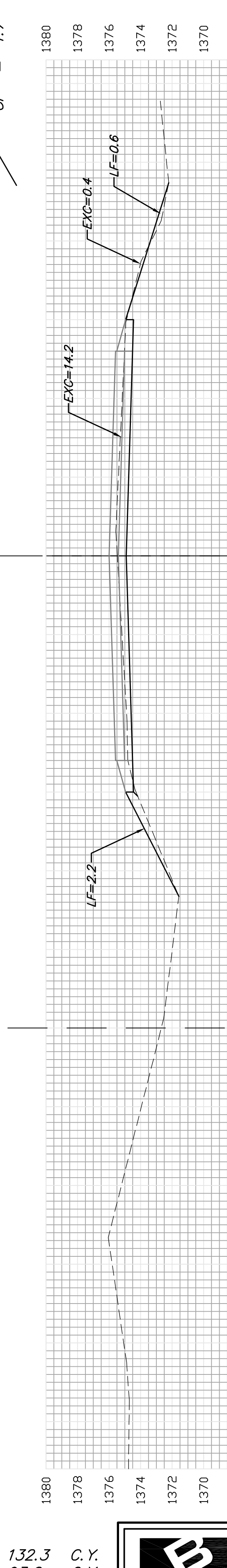
33.38'

EXC = 29.3
LF = 9.9
CF = 1.7



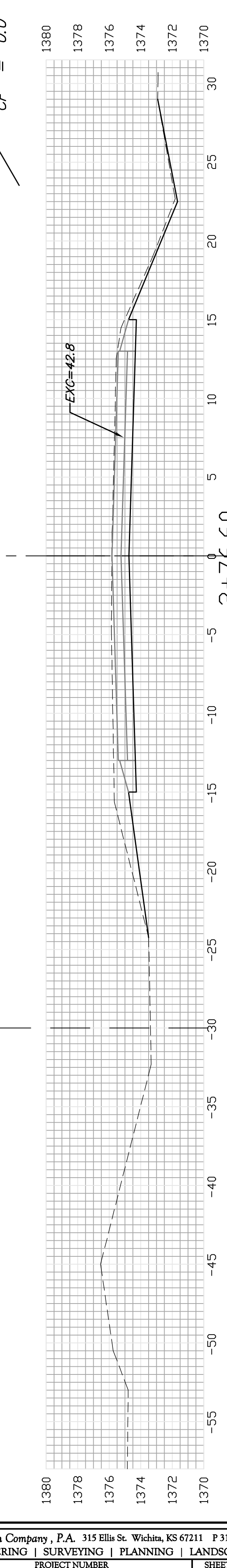
50.00'

EXC = 24.7
LF = 1.2
CF = 0.0



23.40'

EXC = 42.8



127TH ST. E.

Sheet Totals
Excavation = 132.3 C.Y.
Loose Fill = 93.2 C.Y.
Compacted Fill = 48.5 C.Y.

