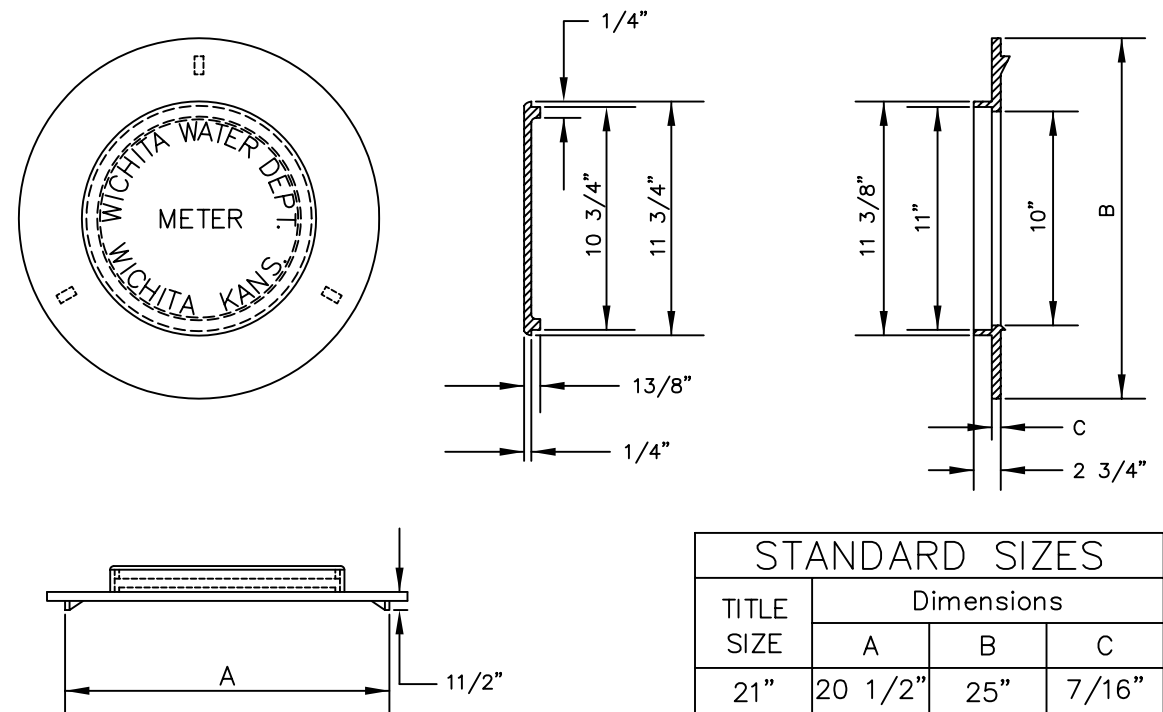


MATERIALS LIST

- 1-MJ GATE OR BUTTERFLY VALVE (AS PER PLAN)
- 1-6" VALVE BOX
- CONCRETE SUPPORT BLOCK SHALL BE FULL WIDTH OF THE TRENCH



STANDARD SIZES			
TITLE SIZE	Dimensions		
	A	B	C
21"	20 1/2"	25"	7/16"

Other Approved Ring And Lids: Ford Meter Box Co. Inc.
21" Ring & Lid Catalog No. C-4

LINE VALVE ASSEMBLY

RING & LID FOR METER VAULTS

	STANDARD WATER SERVICE DETAILS		
	CITY ENGINEER JAMES L. ARMOUR, P.E., L.S.		
	PROJECT NUMBER XXX-XXXXX	CGA NUMBER XXXXXX	DATE MM/YY
	CITY ENGINEER'S OFFICE CITY HALL - SEVENTH FLOOR 406 NORTH MAIN STREET WICHITA, KANSAS 67202-1620 (316) 268-4501 (316) 268-4114 FAX	DESIGN ABC	DRAWN DEF
		SHEET X OF X	

REV: 11-21-05, MCG