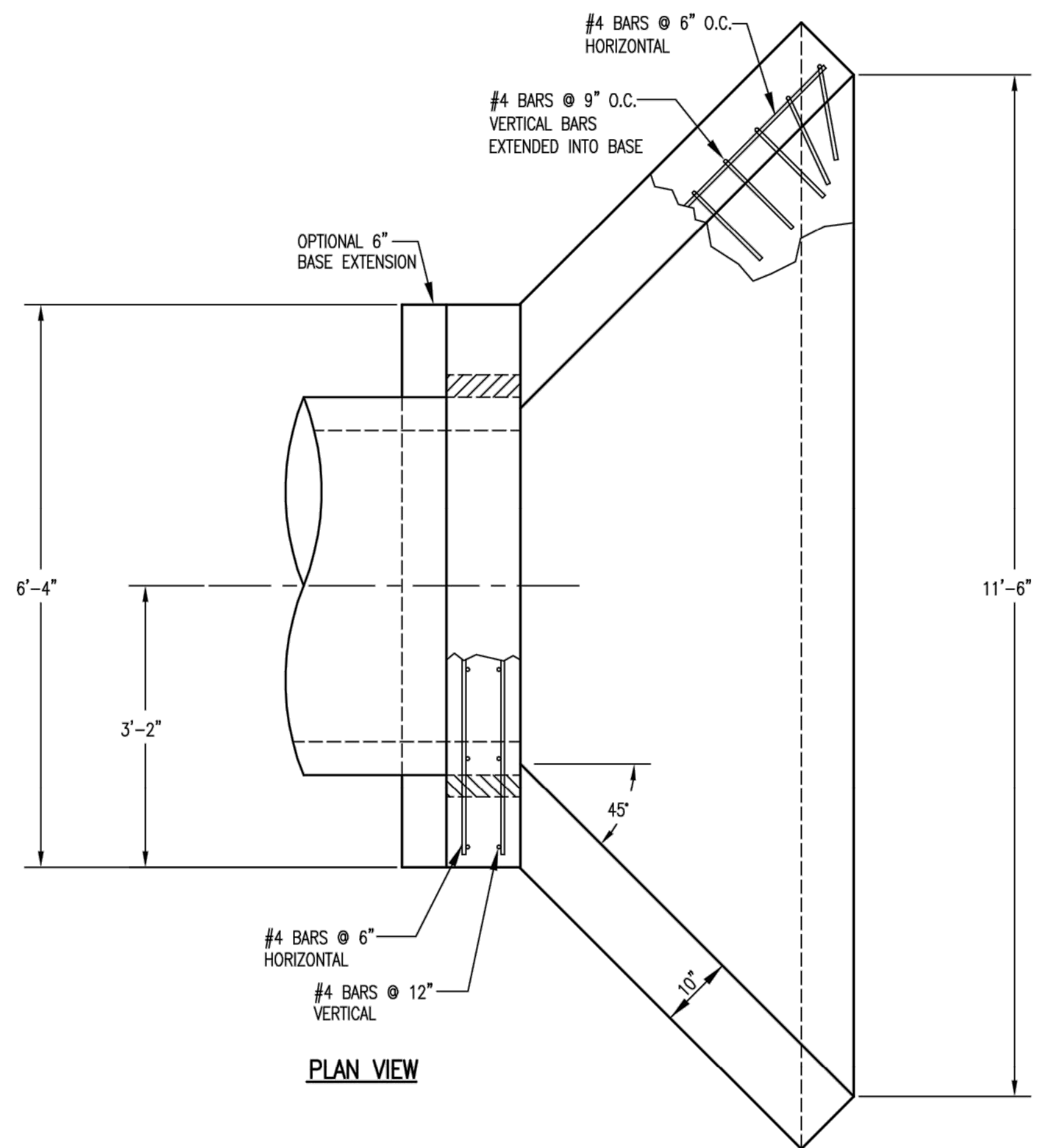
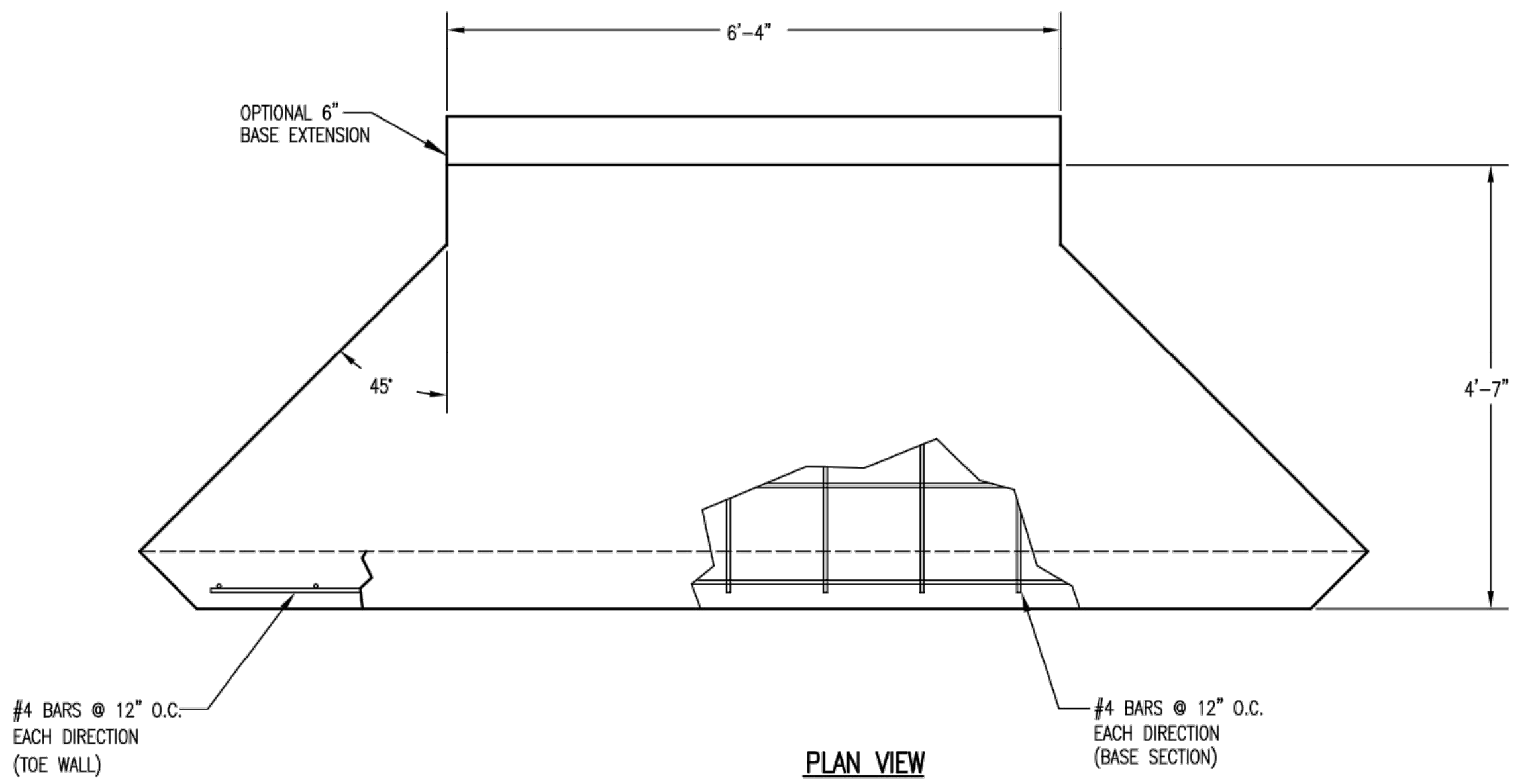


REV.	DESCRIPTION	DATE

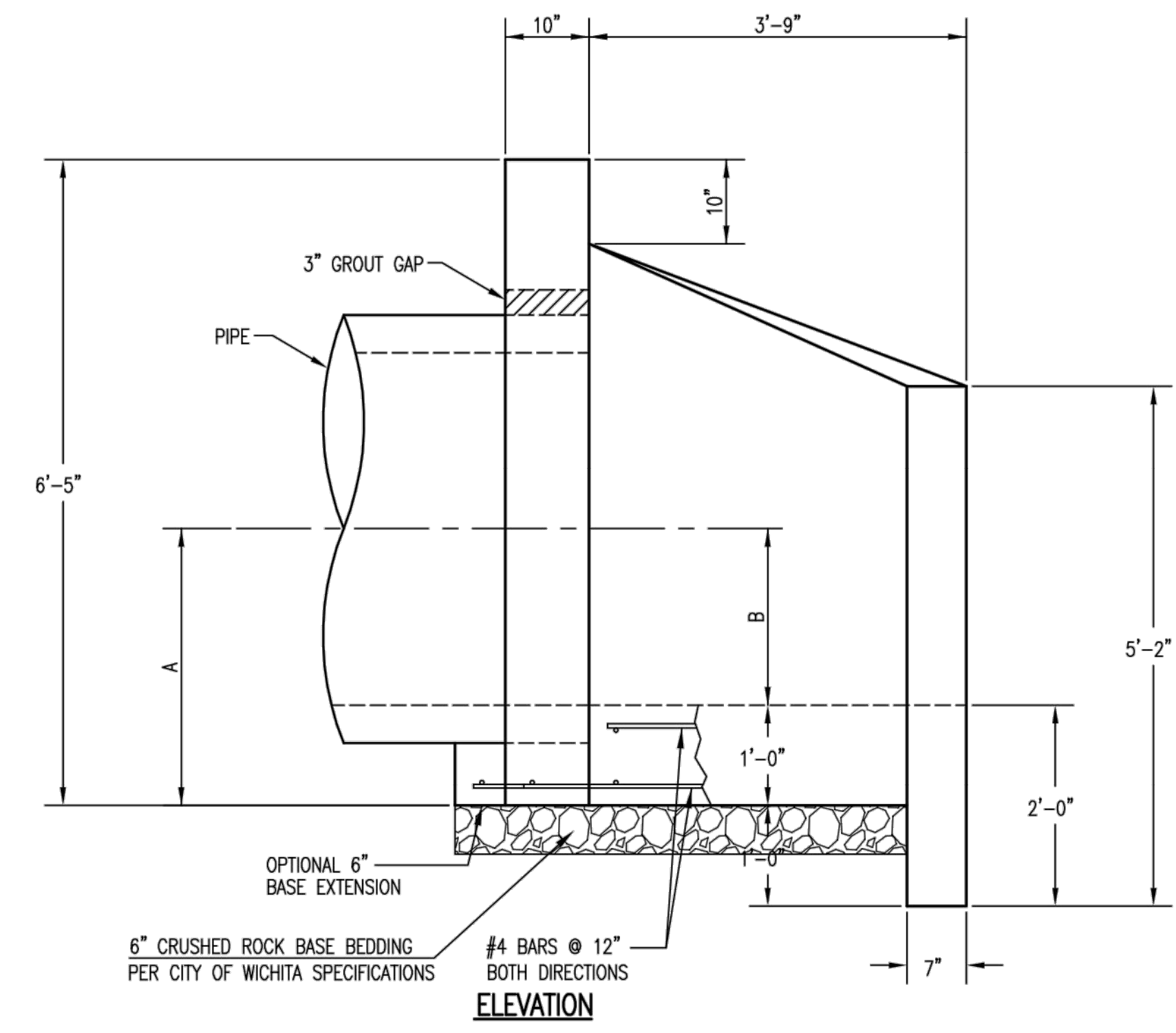


PLAN VIEW

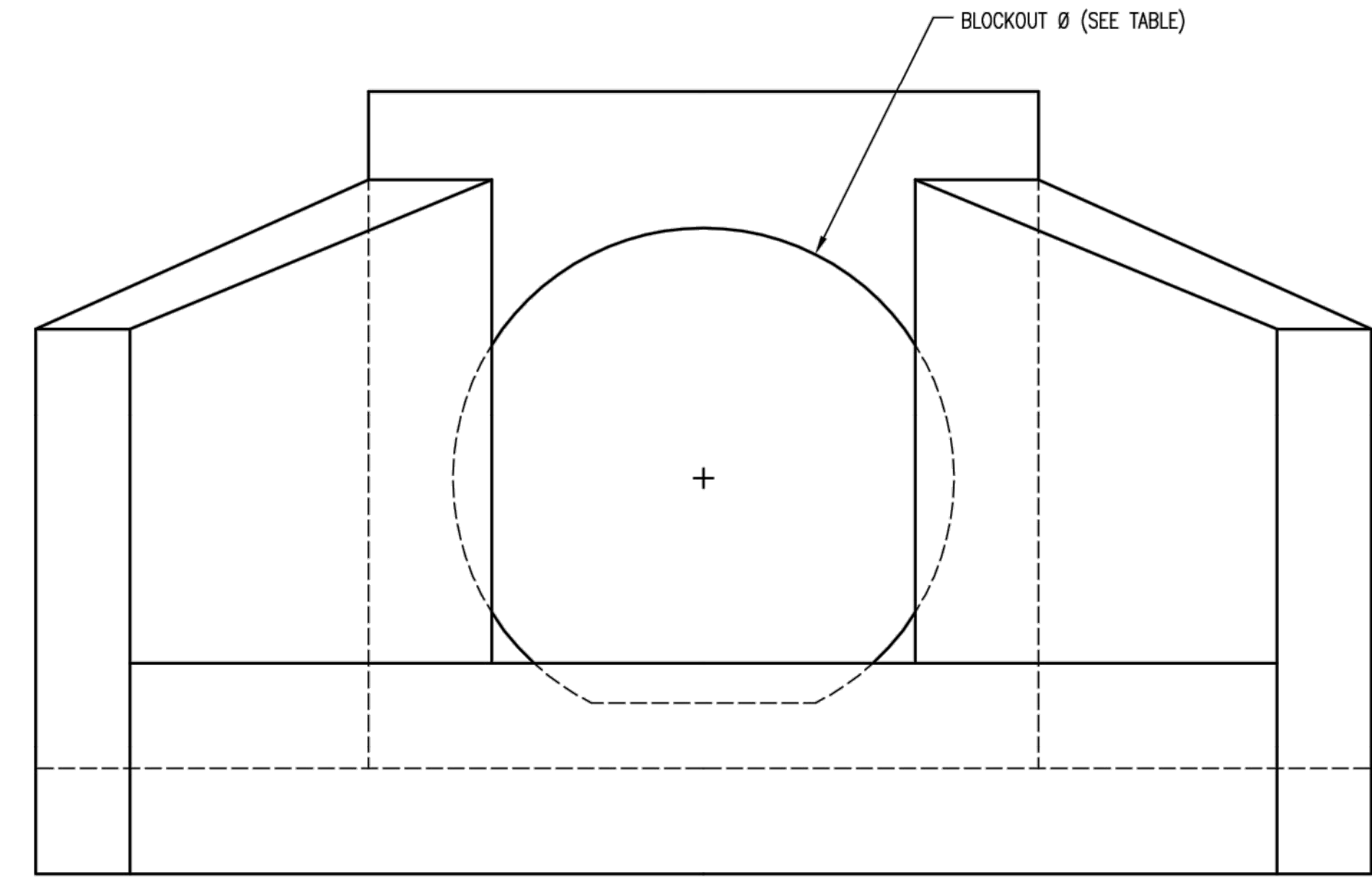


PLAN VIEW  
BASE

PIPE Ø	A	B	BLOCKOUT Ø
42"	2'-9"	1'-9"	4'-9"
48"	3'-0"	2'-0"	5'-4"



ELEVATION



FRONT VIEW

HEADWALLS, AS SHOWN, WILL NOT SUPPORT FLAP GATE.



**HEADWALL  
DETAILS FOR  
42" AND 48" PIPE**

CITY ENGINEER  
**JAMES L. ARMOUR, P.E., L.S.**

PROJECT NUMBER	OCA NUMBER	DATE
		11/2010

CITY ENGINEER'S OFFICE  
CITY HALL - SEVENTH FLOOR  
455 NORTH MAIN STREET  
WICHITA, KANSAS 67202-1620  
(316) 268-4501

DESIGN	DRAWN

SHEET  
\_ of \_

**NORTH IVA & 27TH  
STREET NORTH**

**DRAINAGE  
IMPROVEMENTS**

SEC. 2, T27S, R1E  
WICHITA, KANSAS

CERTIFIED ENGINEERING DESIGN, P.A.  
CIVIL ENGINEERING SERVICES



1935 WEST MAPLE STREET  
WICHITA, KANSAS 67213  
PH.(316)262-8808 FAX.(316)262-1669

ISSUED FOR CONSTRUCTION

PROJECT NO.: 20101910  
ISSUE DATE: 10/20/2011  
CONTACT: C WINKLER / H FORAKER  
DRAWN BY: CC, CW CHECKED BY: HDF

**HEADWALL DETAILS**