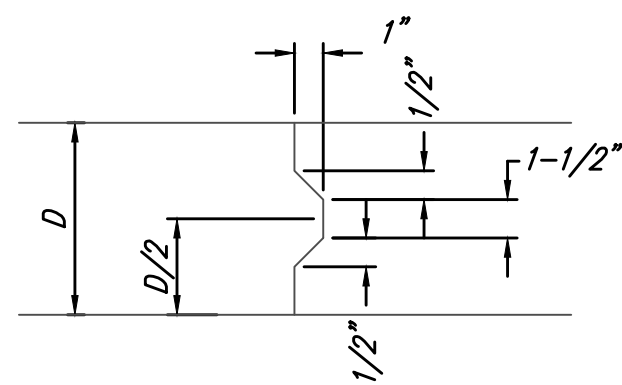
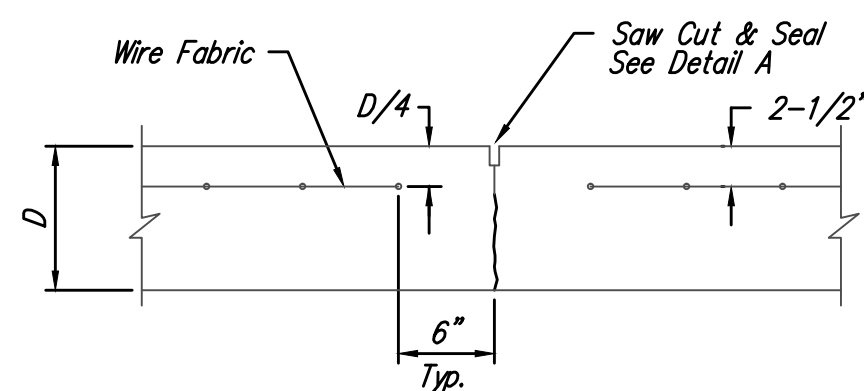


EXPANSION JOINT

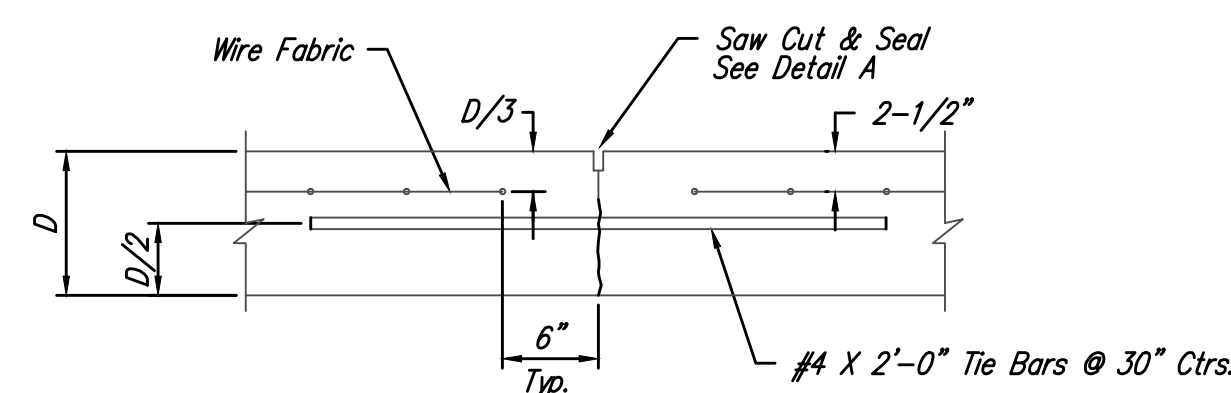
NOTE: Extra Thickness to be Subsidiary to Price of Square Yards Pavement



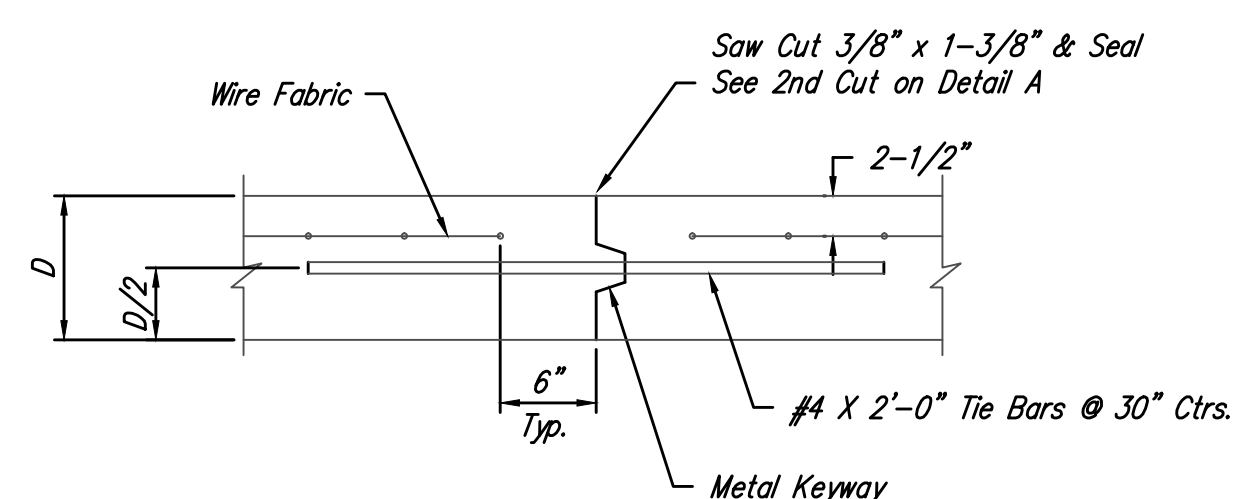
KEYWAY DETAIL



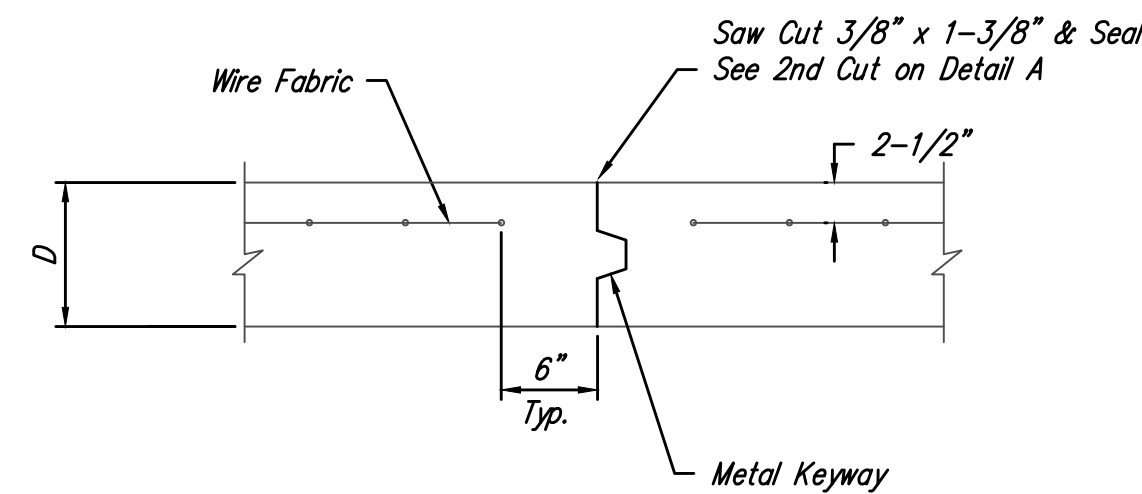
CONTRACTION JOINT DETAIL (C.J.)



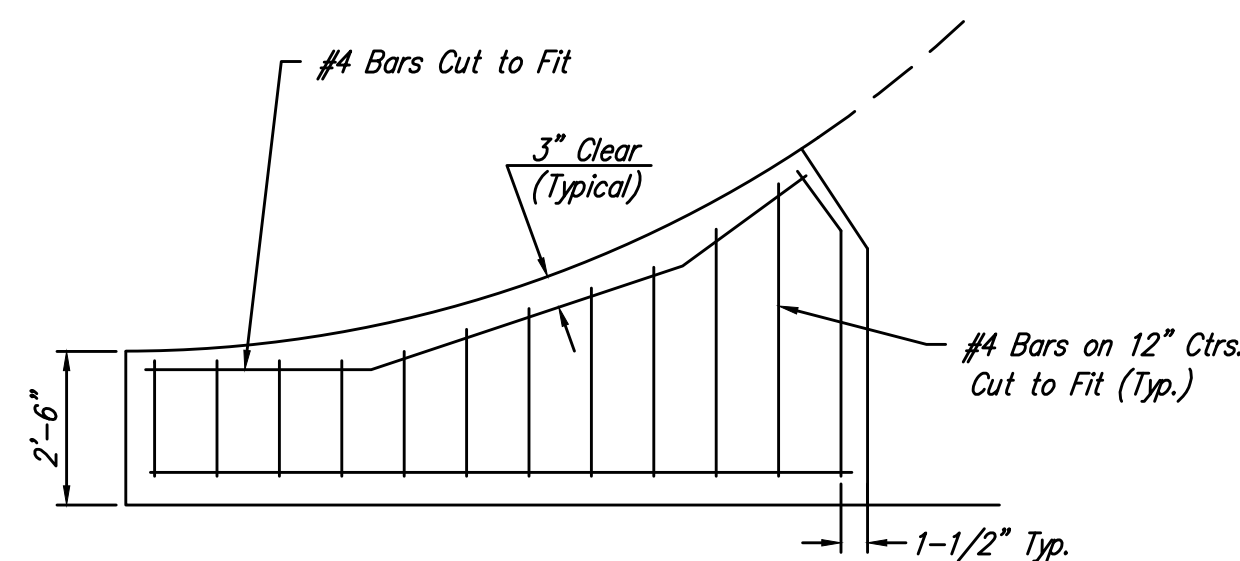
LONGITUDINAL JOINT DETAIL (L.J.)



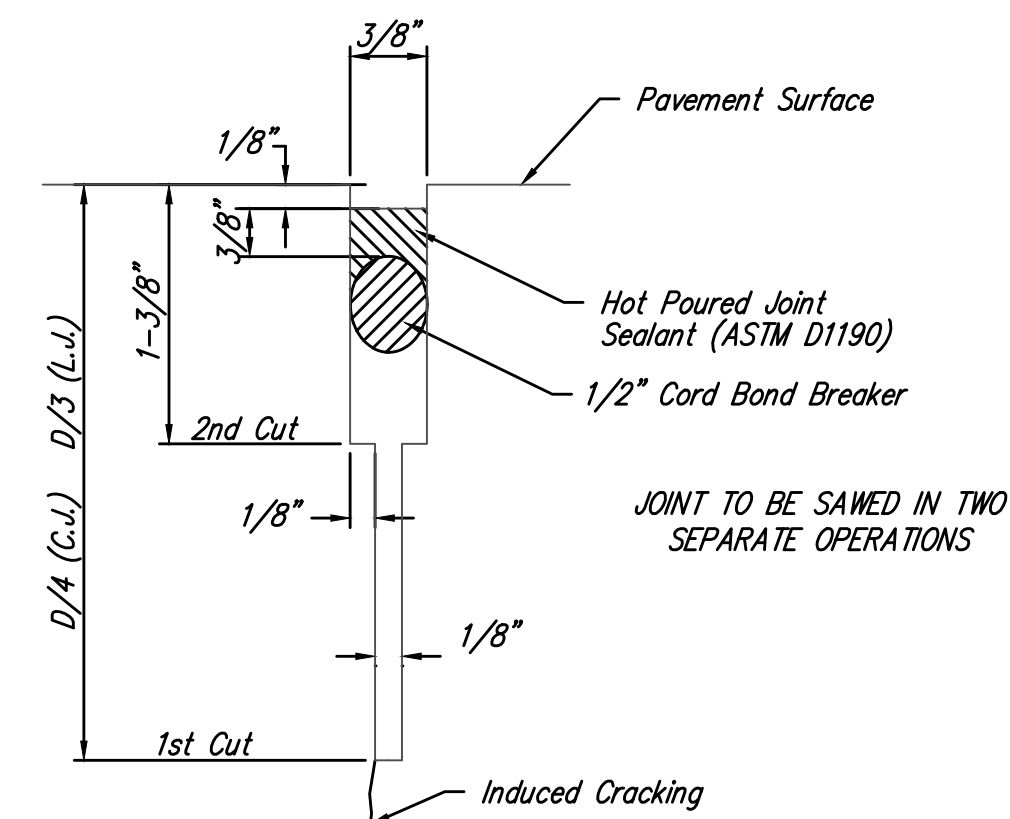
OPTIONAL LONGITUDINAL JOINT DETAIL (L.J.)



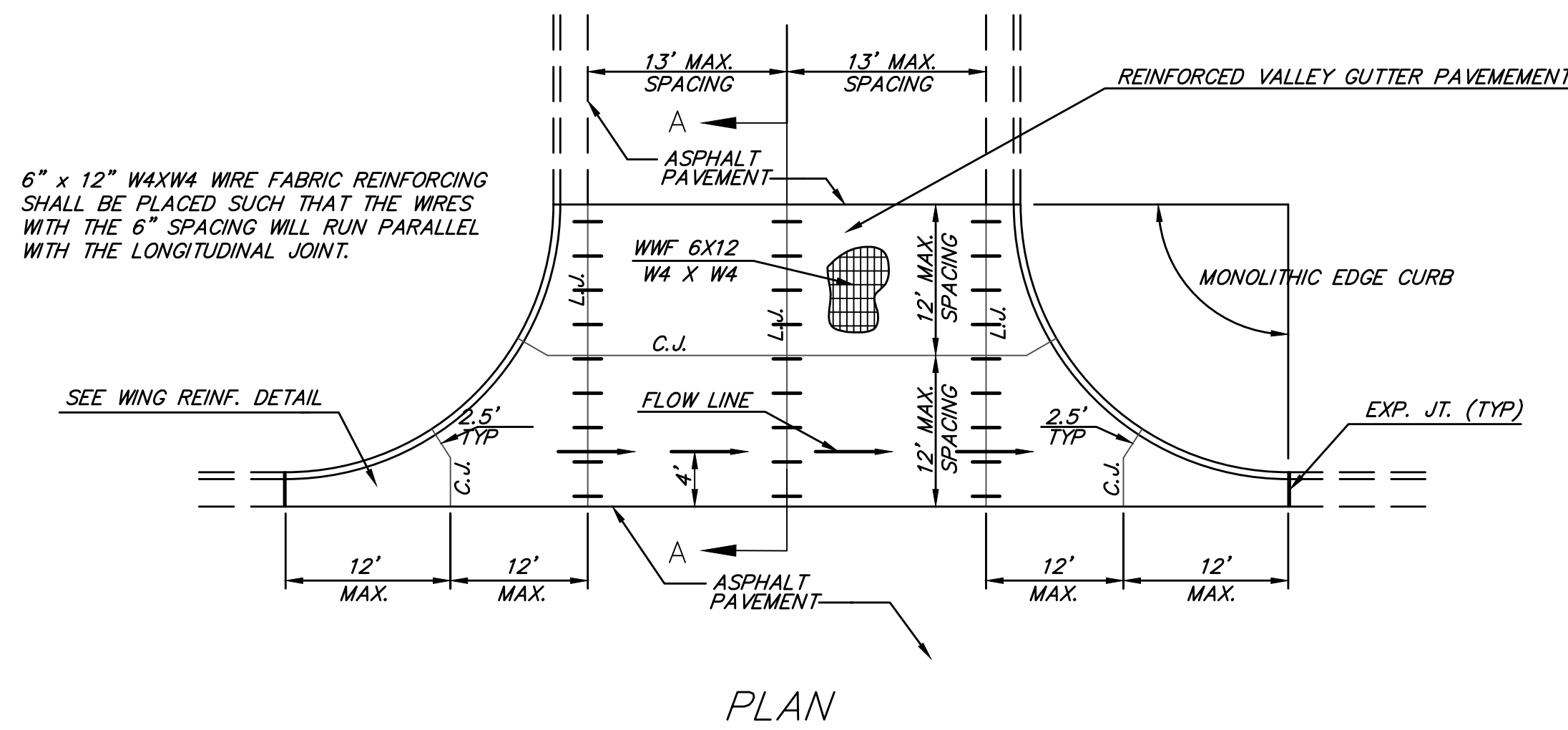
OPTIONAL CONTRACTION JOINT



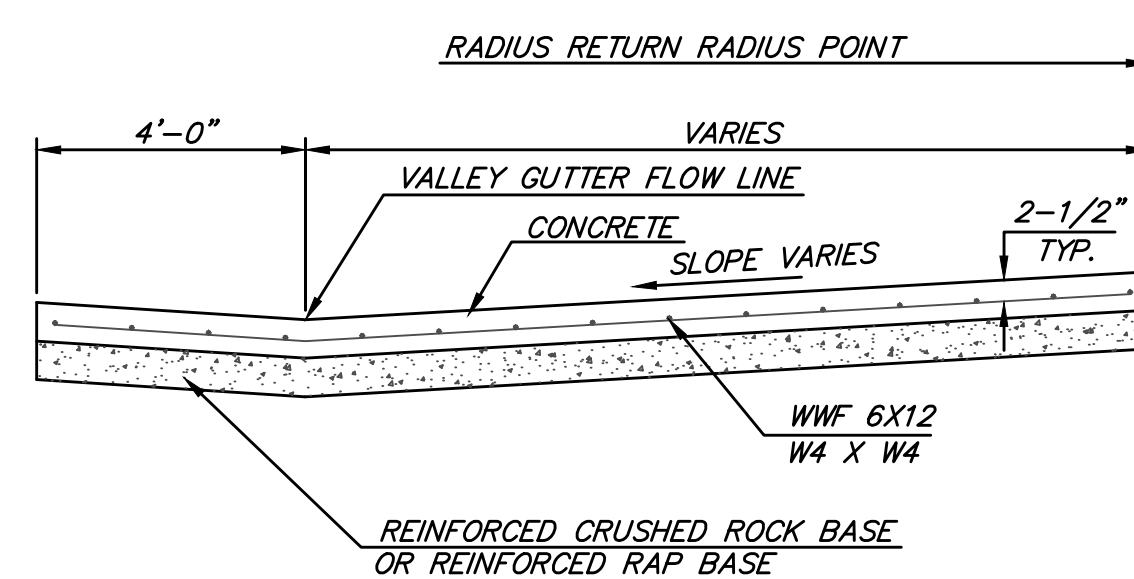
WING REINFORCING DETAIL



SAW JOINT DETAIL



PLAN

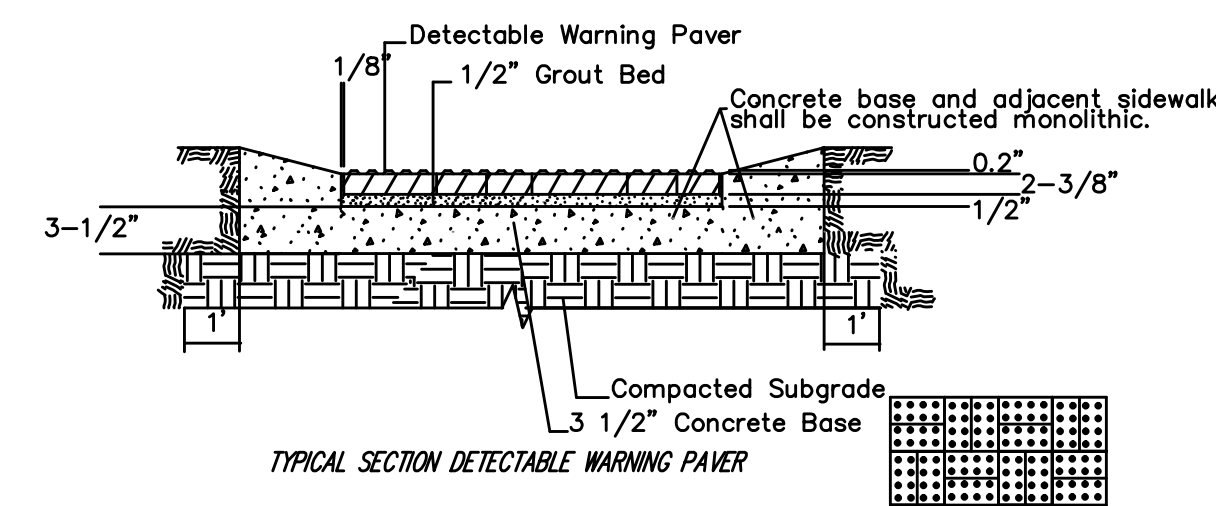
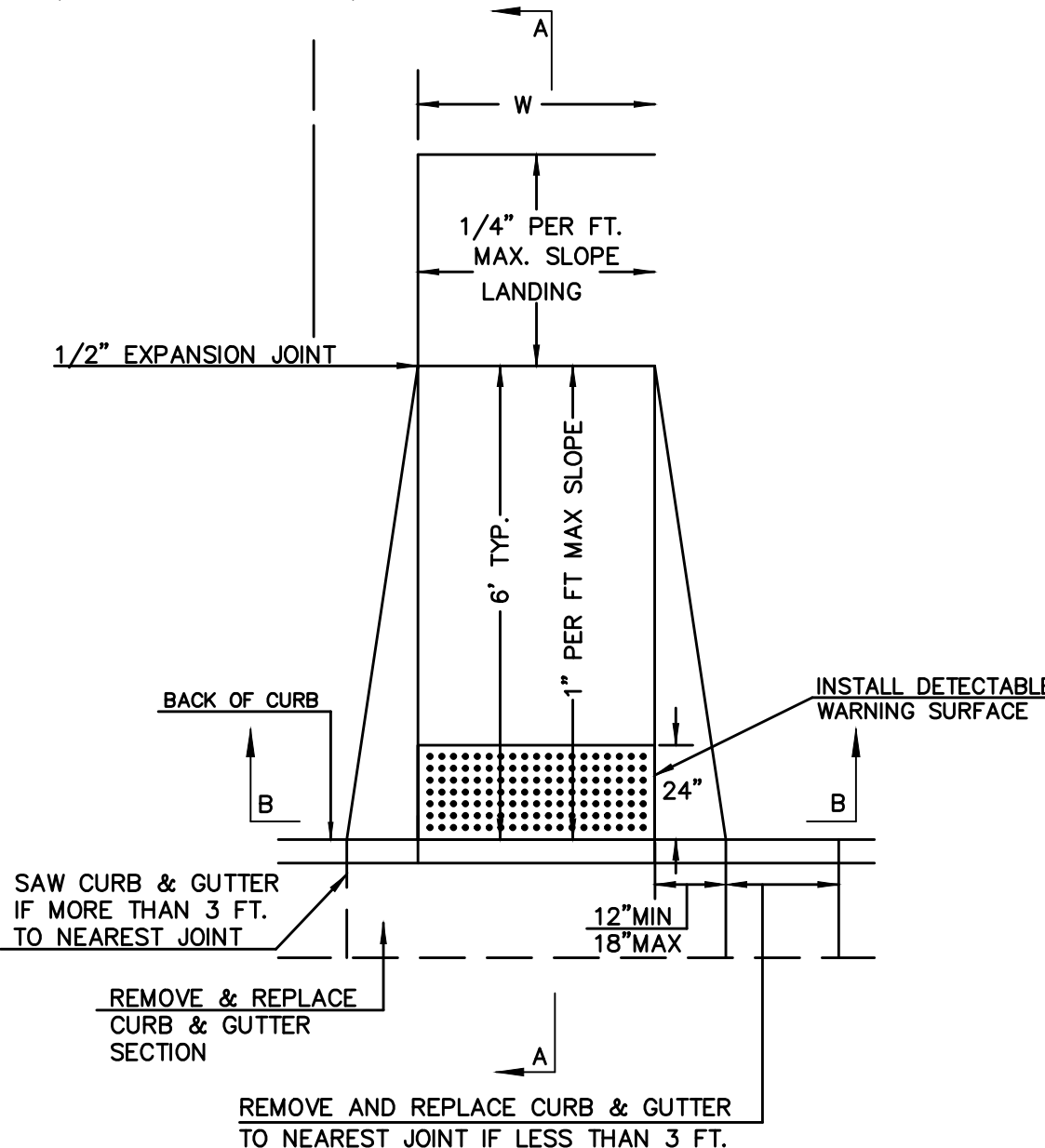


SECTION A-A

REINFORCED VALLEY GUTTER DETAIL

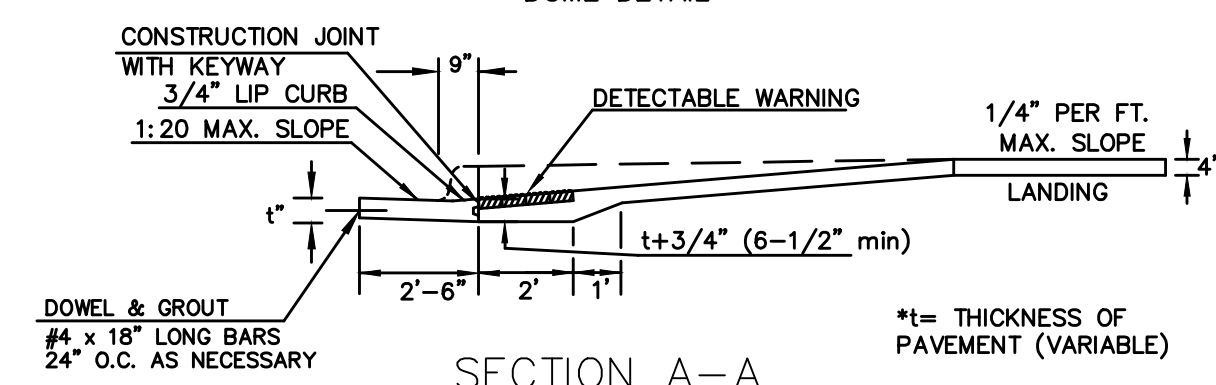
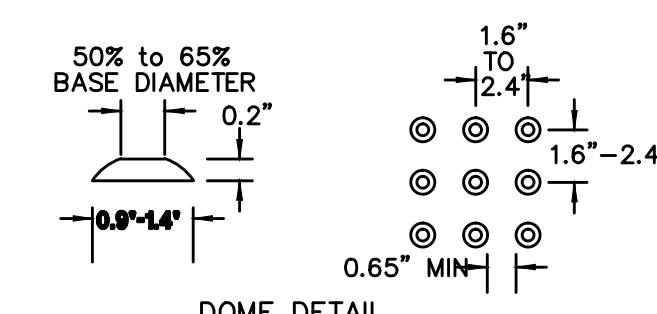
(TYPE A)
STANDARD WHEELCHAIR RAMP
WITH DETECTABLE WARNING
CONSTRUCTION DETAIL FOR STREETS
WITH COMBINED CURB & GUTTER

W= 4'0" FOR STANDARD RAMP
W= 5'0" FOR RAMPS AT SCHOOL CROSSWALKS
(OR TO MATCH EXISTING)

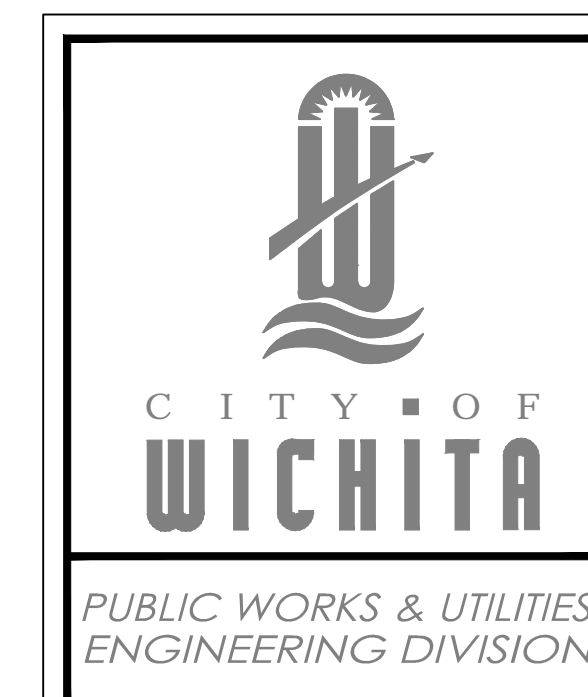


NOTE: RAMPS TO COMPLY WITH LATEST ADAAG GUIDELINES. PAVESTONE DETECTABLE WARNING PAVERS (OR AN APPROVED EQUAL) SHALL BE USED IN ALL WHEELCHAIR RAMPS. THE RED PAVER SHALL BE INSTALLED USING A BASKET WEAVE/PARQUET PATTERN. OTHER PATTERNS MAY BE USED WITH APPROVAL OF ENGINEER. SAND FILL JOINTS. ALIGN DOMES IN THE DIRECTION OF PEDESTRIAN TRAVEL.

SECTION B-B



SECTION A-A



VALLEY GUTTER DETAILS
WHEELCHAIR RAMP
DETAILS

CITY ENGINEER
JAMES L. ARMOUR, P.E., L.S.

PROJECT NUMBER	OCA NUMBER	DATE
468-84709	133117	MM/YY

CITY ENGINEER'S OFFICE
CITY HALL - SEVENTH FLOOR
455 NORTH MAIN STREET
WICHITA, KANSAS 67202-1620
(316) 268-4501

DESIGN	DRAWN
	SHEET

REV.	DESCRIPTION	DATE

NORTH IVA & 27TH
STREET NORTH

DRAINAGE
IMPROVEMENTS

SEC. 2, T27S, R1E
WICHITA, KANSAS

CERTIFIED ENGINEERING DESIGN, P.A.
CIVIL ENGINEERING SERVICES



1935 WEST MAPLE STREET
WICHITA, KANSAS 67213
PH.(316)262-8808 FAX.(316)262-1669

ISSUED FOR CONSTRUCTION

PROJECT NO.: 20101910
ISSUE DATE: 10/20/2011
CONTACT: C WINKLER / H FORAKER
DRAWN BY: CC, CW CHECKED BY: HDF

VALLEY GUTTER &
WHEELCHAIR RAMP
DETAILS