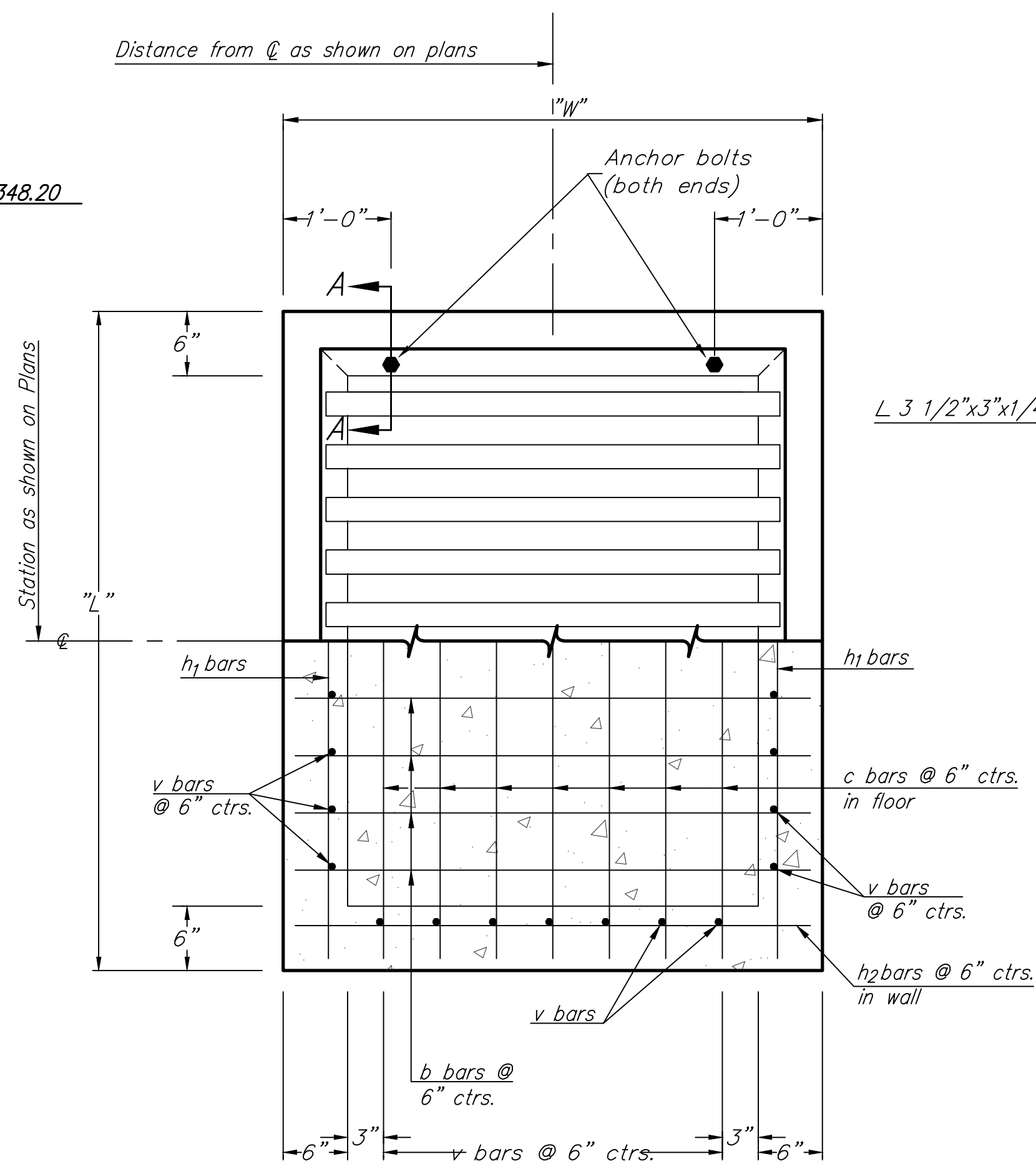
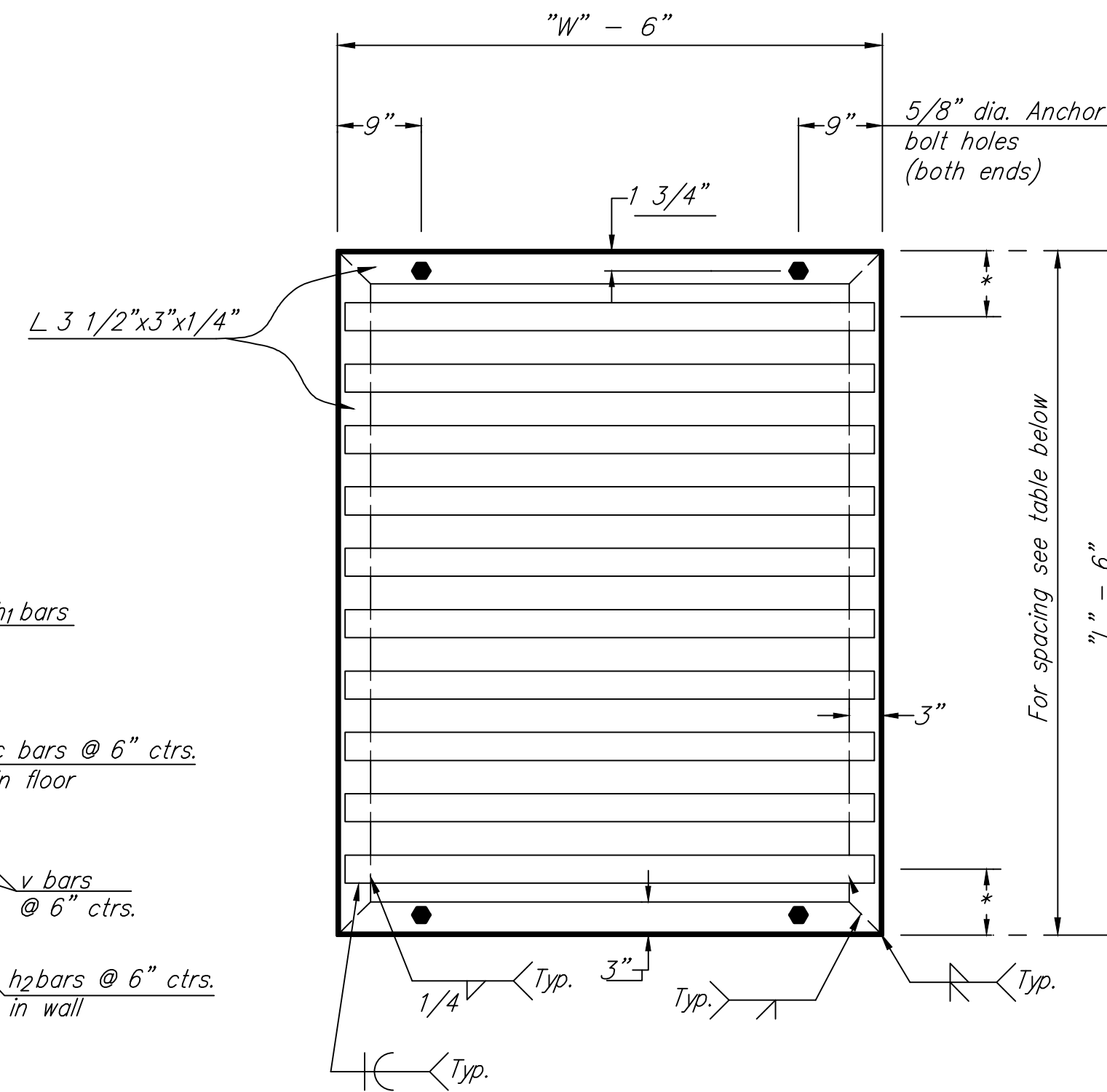


SECTION



PLAN AND SECTION



GRATE UNIT DETAILS

PIPE DIMENSIONS AND SPACING			
L x W	No. of Bars	Dia. x Length x Spacing	*
5'-0" x 5'-0"	9	2 1/2" dia x 4'-4" pipes @ 6" ctrs.	6"

GENERAL NOTE

Use Class A Concrete throughout. All exposed edges shall be finished with an edging tool.

At the Contractors option, Class A Concrete (AE) or mix used in concrete pavement may be used throughout.

In general, pipes will enter and leave the manhole at various positions. Where possible bend bars around pipes.

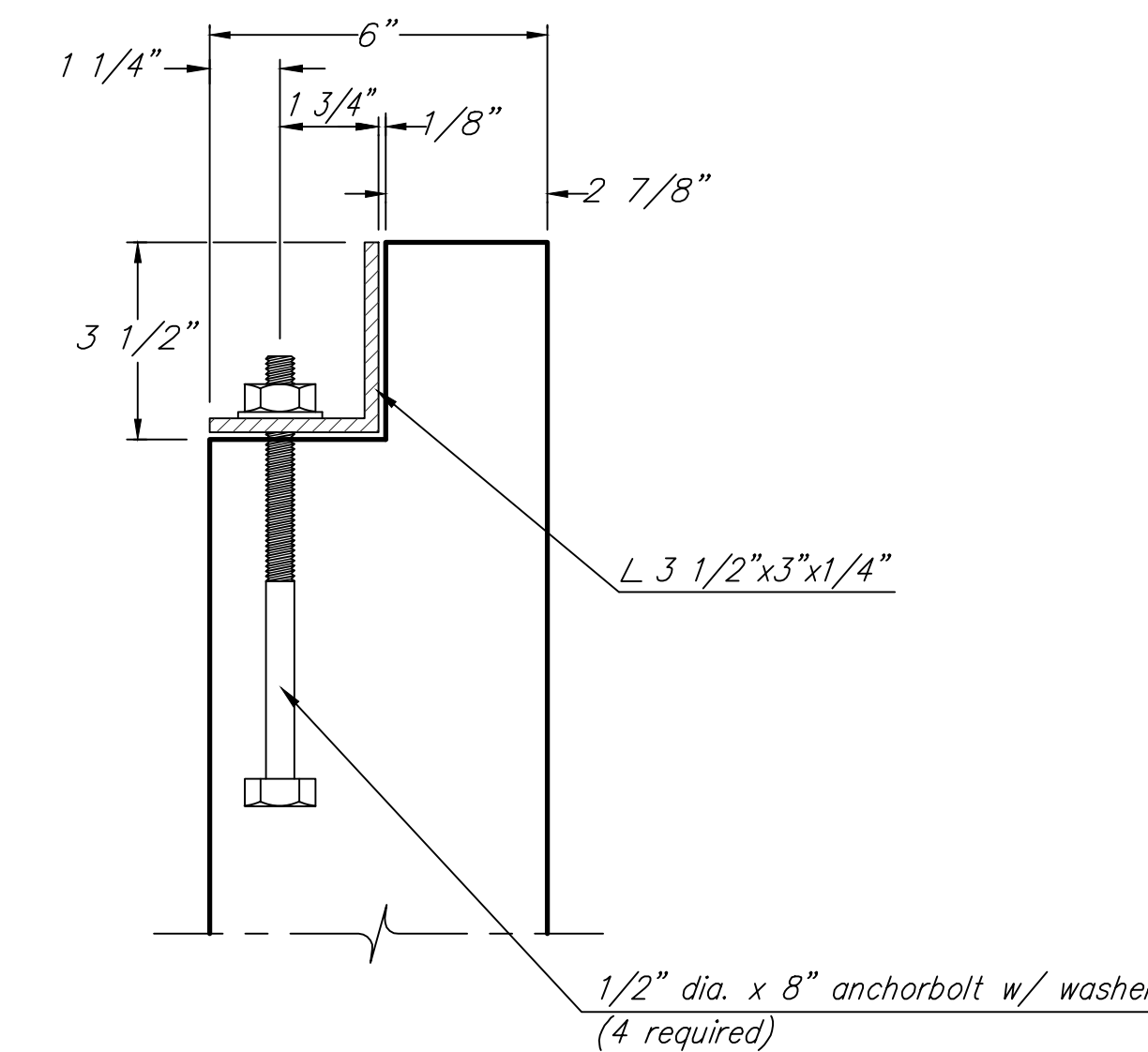
Floor of inlet shall be shaped as shown on Precast Concrete Manhole Detail. Concrete used for shaping shall conform to city of Wichita specifications for concrete pavement mix. No addition in concrete quantities shall be made for shaping floor of inlets.

No deductions in concrete quantities shall be made for pipe openings.

The top of the manhole shall be sloped slightly to approximately fit the ground line or other conditions as directed by the Engineer.

The grate shall be fabricated from standard or commercial grade structural steel and black steel pipe. The unit shall be hot dipped, galvanized after fabrication, in accordance with ASTM A123 except the weight of coating shall average not less than 2.0 ounces per square foot of actual surface and no individual test shall show less than 1.8 ounces of coating per square foot of actual surface area.

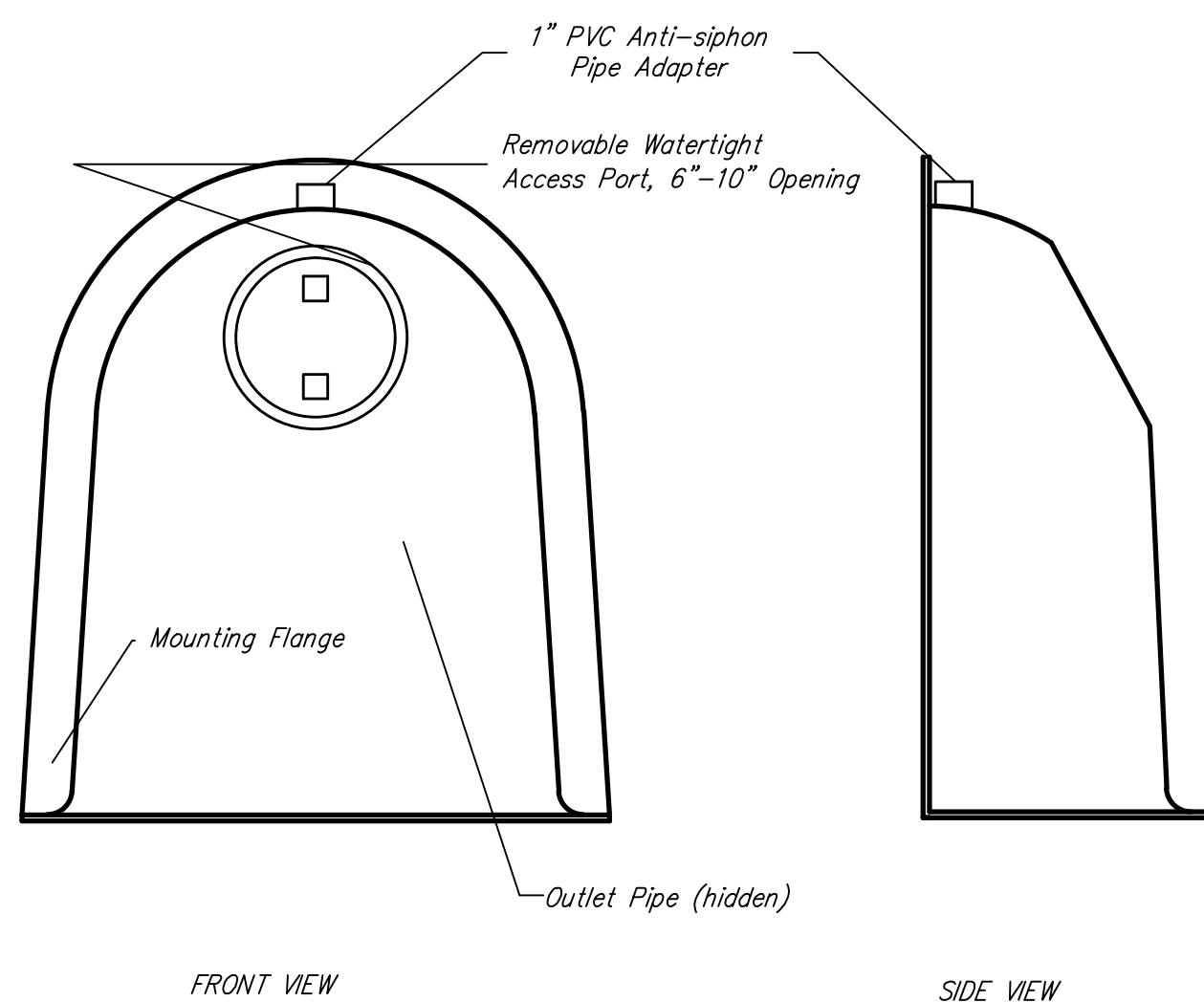
** Quantities shown are for information only.



SECTION A-A

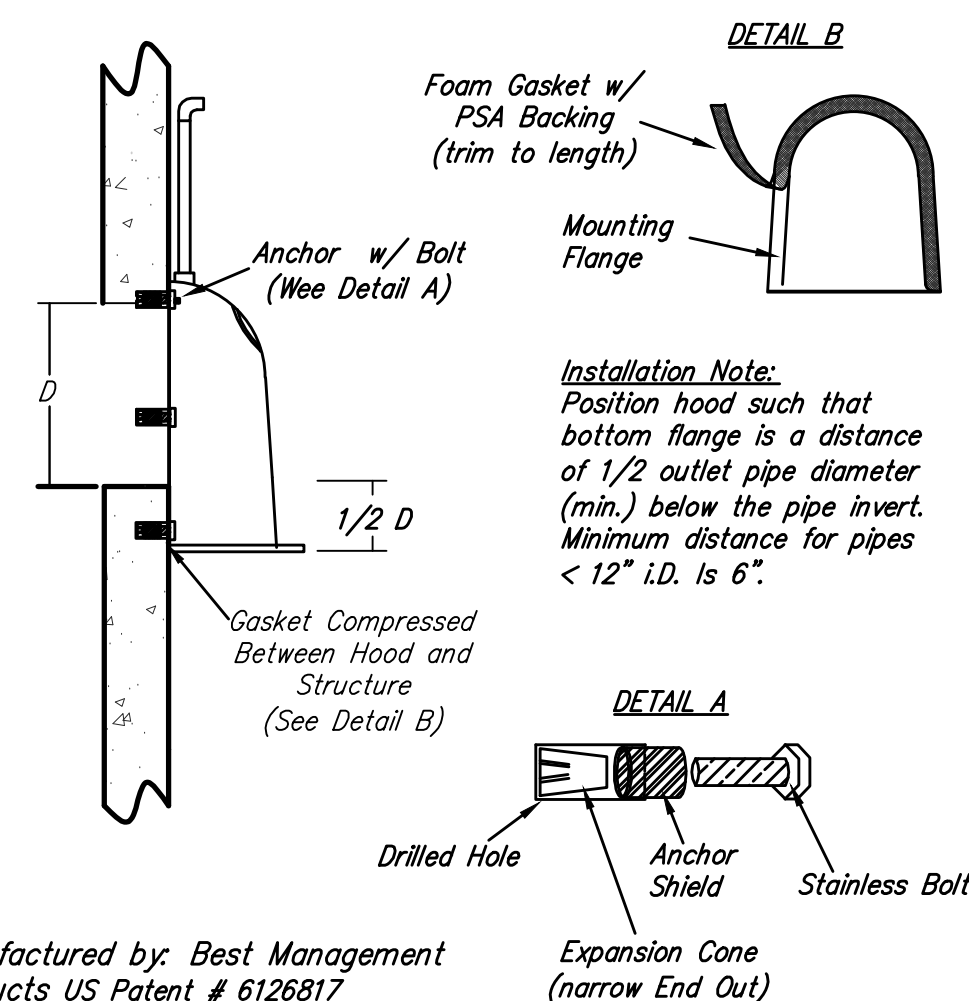
HOOD SPECIFICATION FOR CATCH BASINS AND WATER QUALITY STRUCTURES

CONFIGURATION DETAIL



SNOUT OIL-WATER-DEBRIS SEPARATOR

INSTALLATION DETAIL



Manufactured by: Best Management Products US Patent # 6126817

Notes:

- All hoods and traps for catch basins and water quality structures shall be as manufactured by: Best Management Products, Inc. or pre-approved equal.
- All hoods shall be constructed of a glass reinforced resin composite with ISO Gel Coat exterior finish with a minimum 0.125" laminate thickness.
- All hoods shall be equipped with a watertight access port, a mounting flange, and an anti-siphon vent pipe and elbow as drawn. (See Configuration Detail)
- The size and position of the hood shall be determined by outlet pipe size as per manufacturer's recommendation (snout size always larger than pipe size).
- The bottom of the hood shall extend downward a minimum distance equal to 1/2 the outlet pipe diameter with a minimum distance of 6" for pipes <12" i.d.
- The anti-siphon vent shall extend above hood by minimum of 3" and a maximum of 12" according to structure configuration.
- The surface of the structure where the hood is mounted shall be finished smooth and free of loose material and pipe shall be finished flush to wall.
- The hood shall be securely attached to structure wall with 3/8" stainless steel bolts and oil-resistant gasket as supplied by manufacturer. (See Installation Detail)
- Installation instructions shall be furnished with manufacturer supplied installation kit. Installation kit shall include:
 - Installation instructions
 - PVC anti-siphon vent pipe and adapter
 - Oil-resistant crushed cell foam gasket with PSA backing
 - 3/8" stainless steel bolts
 - Anchor shields

		Inlet Manhole STORM WATER DRAIN #387	
		<small>Baughman Company, P.A. 315 Ellis St. Wichita, KS 67211 F 316-262-2271 F 316-262-0149 ENGINEERING SURVEYING PLANNING LANDSCAPE ARCHITECTURE</small>	
PROJECT NUMBER 468-84880	DESIGN Staff	DRAWN Staff	DATE 5/16/13
REVISIONS: 3/01/95 <small>Baughman Company Revision</small>	APPROVED	SCALE None	SHEET 11 OF 24
<small>SWD 1302-ES71.dwg</small>			