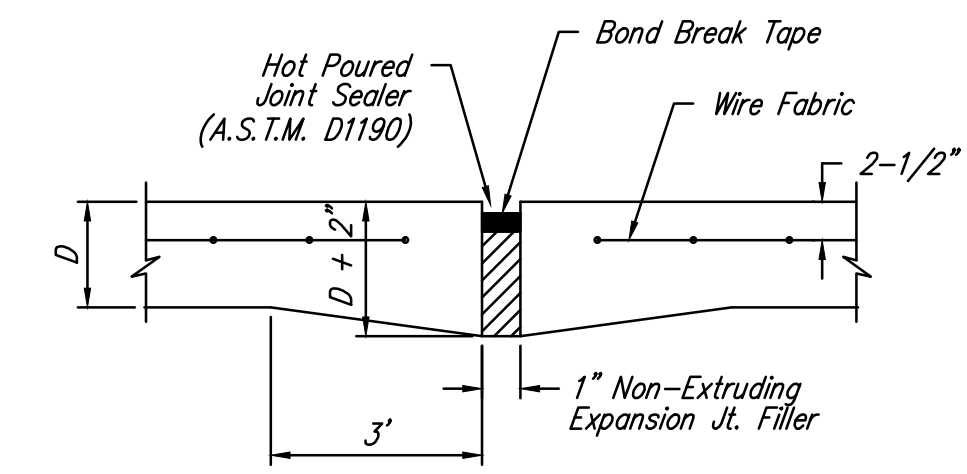
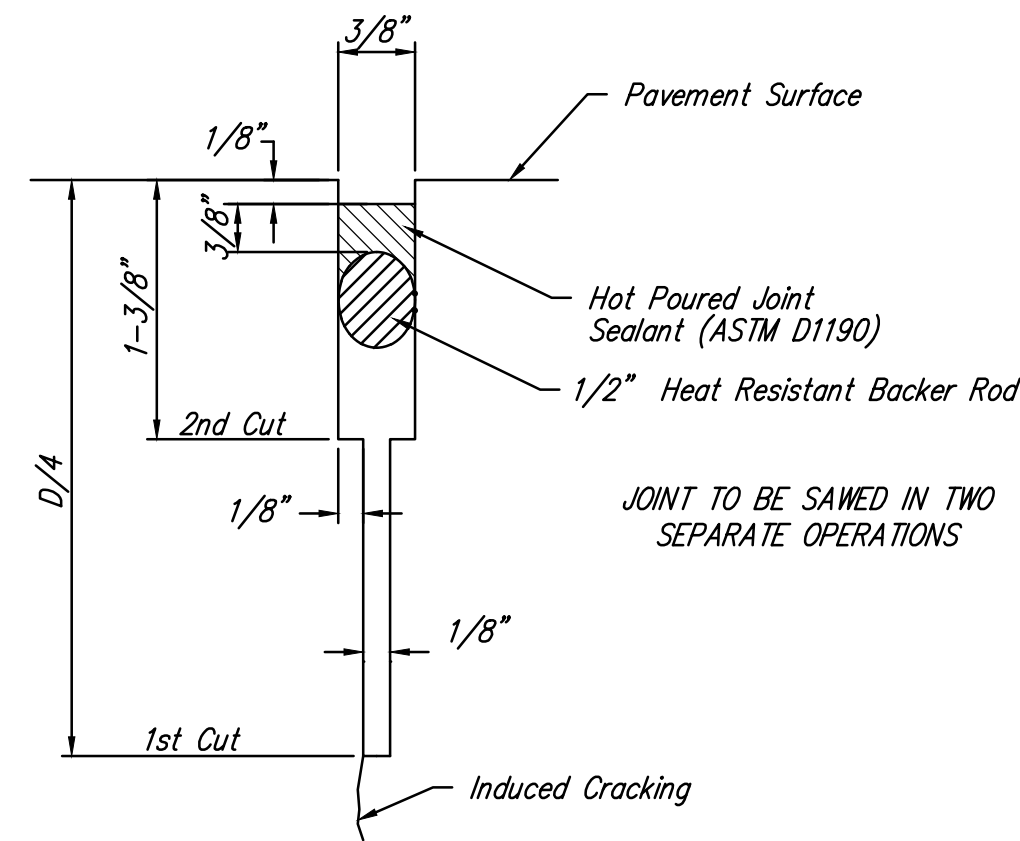


OPTIONAL CONTRACTION JOINT
(CONSTRUCTION JOINT)

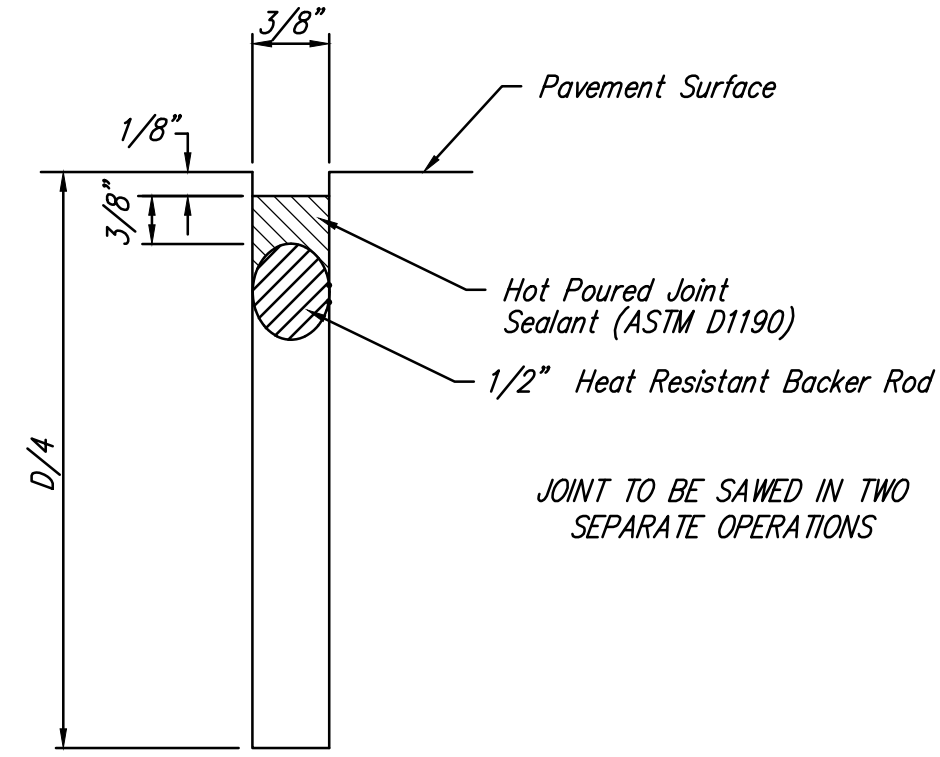


EXPANSION JOINT

NOTE: Extra Thickness to be Subsidiary to Price of Square Yards Pavement



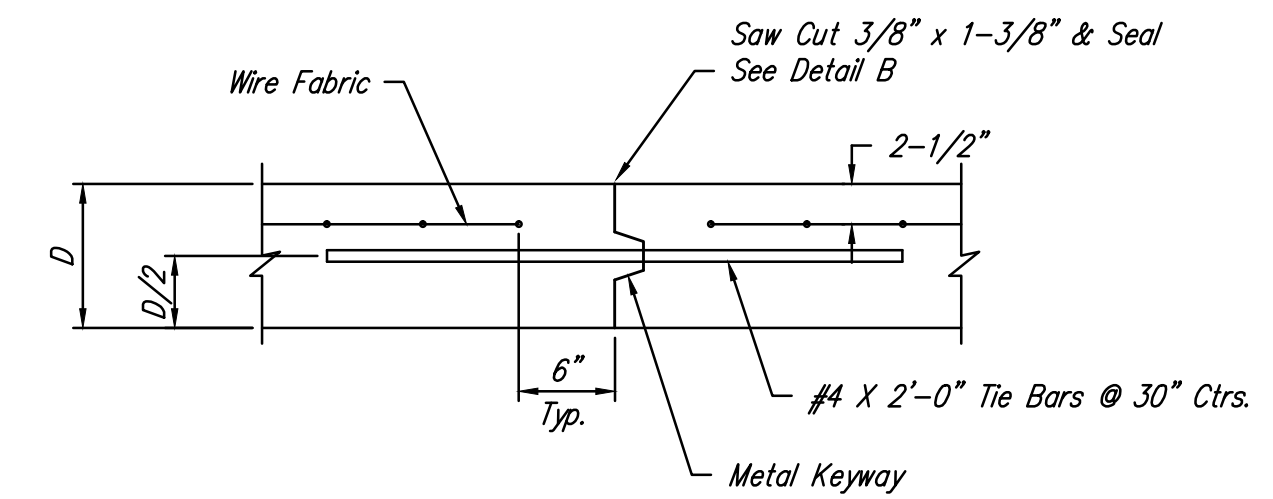
SAW JOINT DETAIL "A"



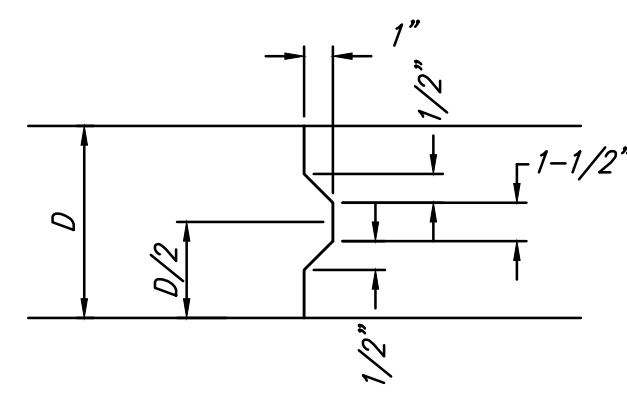
SAW JOINT DETAIL "B"



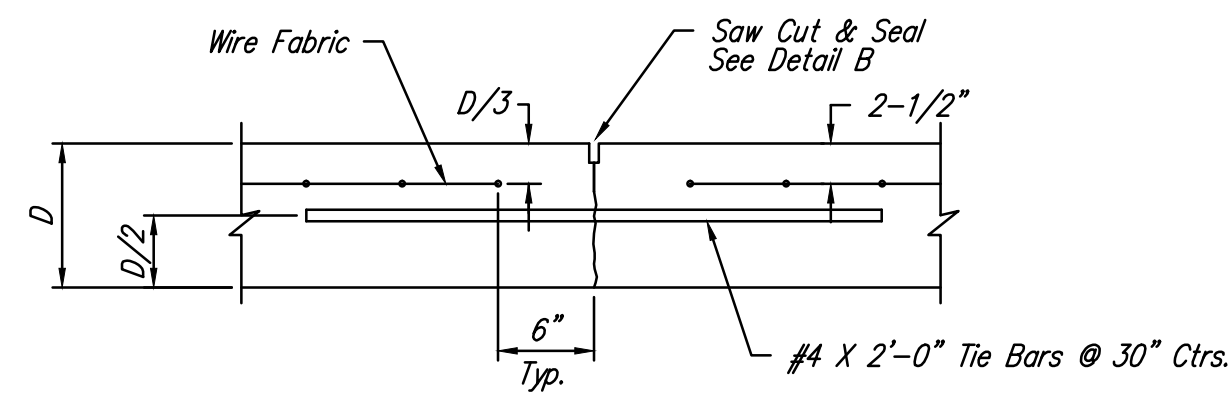
CONTRACTION JOINT DETAIL (C.J.)



OPTIONAL LONGITUDINAL JOINT DETAIL (L.J.)
(CONSTRUCTION JOINT)

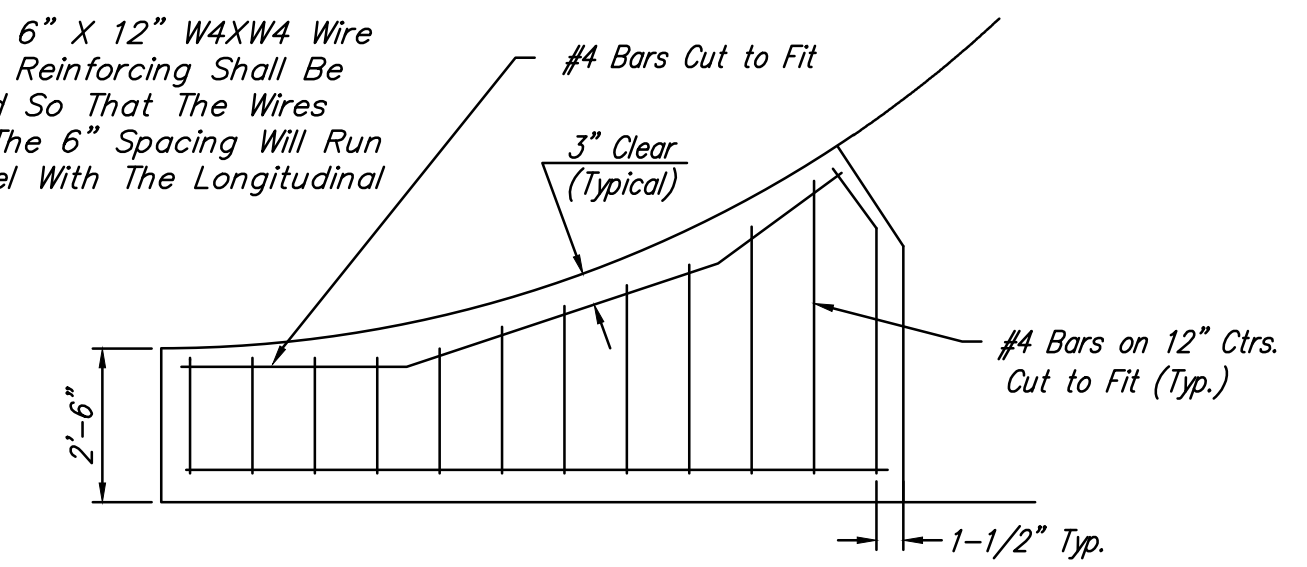


KEYWAY DETAIL



LONGITUDINAL JOINT DETAIL (L.J.)

NOTE: 6" X 12" W4XW4 Wire Fabric Reinforcing Shall Be Placed So That The Wires With The 6" Spacing Will Run Parallel With The Longitudinal Joints.



WING REINFORCING DETAIL

	36TH STREET NORTH	
	PVMT DETAILS	
PAVING PLANS		
Baughman Company, P.A. 315 Ellis St. Wichita, KS 67211 P 316-262-7271 F 316-262-0149 ENGINEERING SURVEYING PLANNING LANDSCAPE ARCHITECTURE		
PROJECT NUMBER 472-84992	DESIGN C. O. W.	DRAWN JM
REVISIONS:	APPROVED JFB	DATE 01/12
SCALE AS SHOWN		SHEET
		6 OF 24
E:\Proj\36th St. North - East of Ark Ave\Teresa's Inbox Use\New Plan set use 11-06-E642		