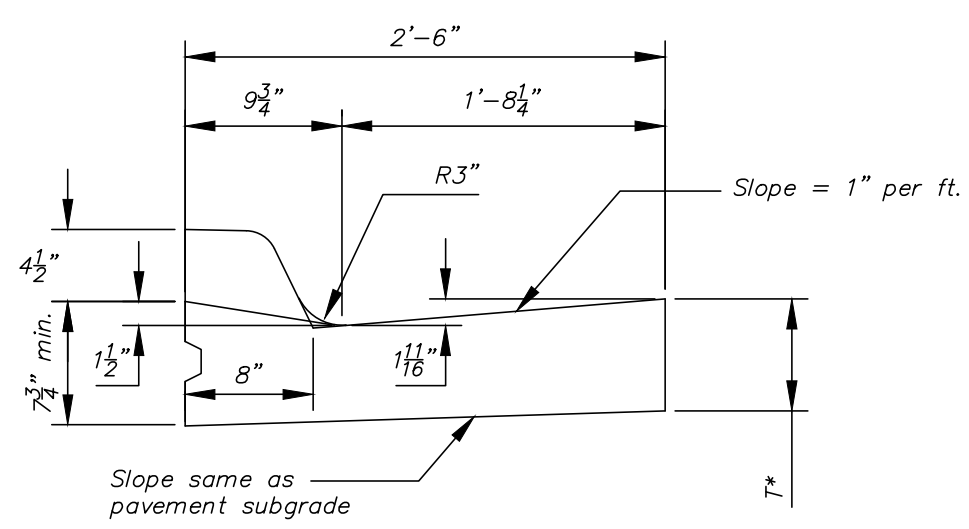
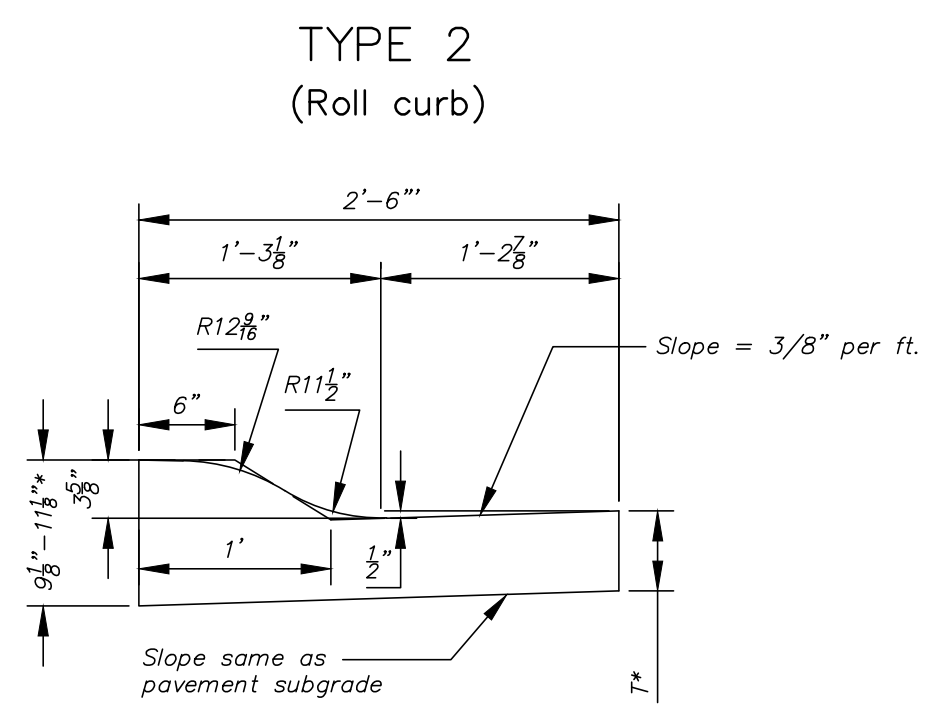


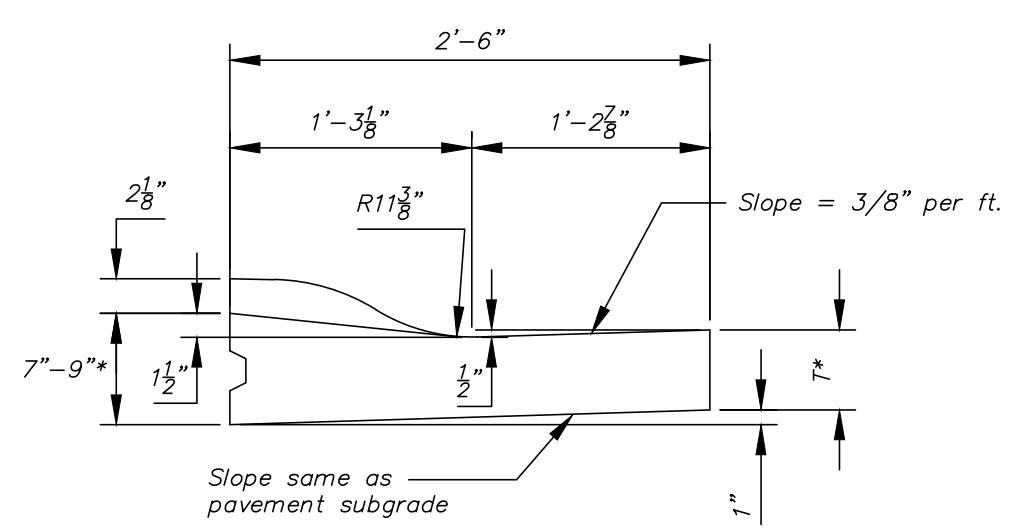
Combined Curb & Gutter (6")



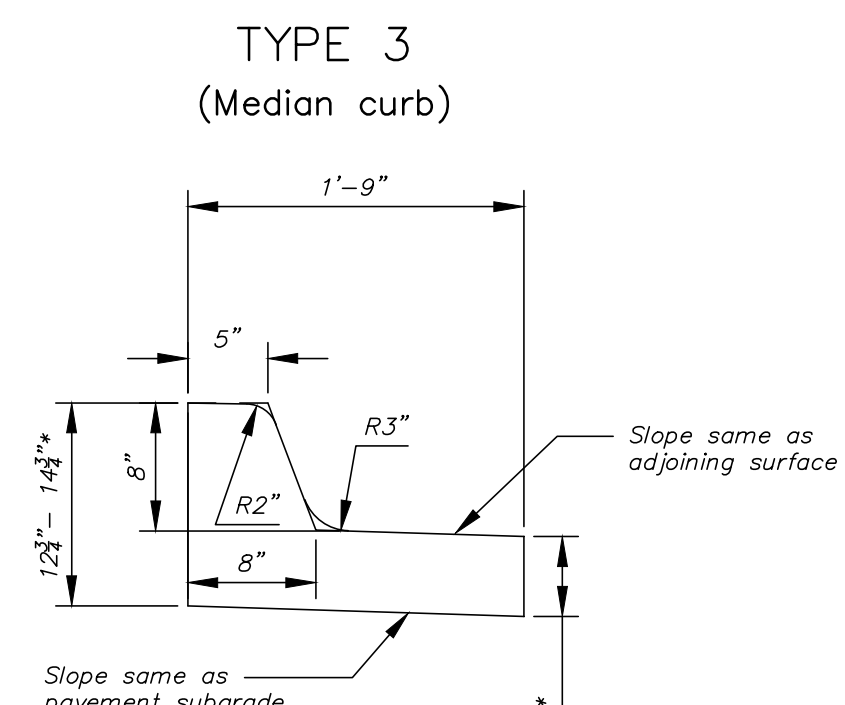
Combined Curb & Gutter (1 1/2")



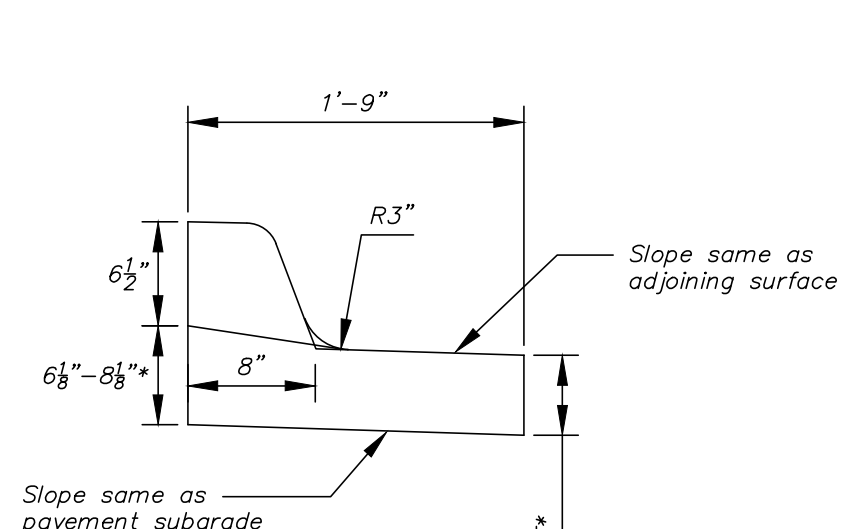
Combined Curb & Gutter (3 5/8")



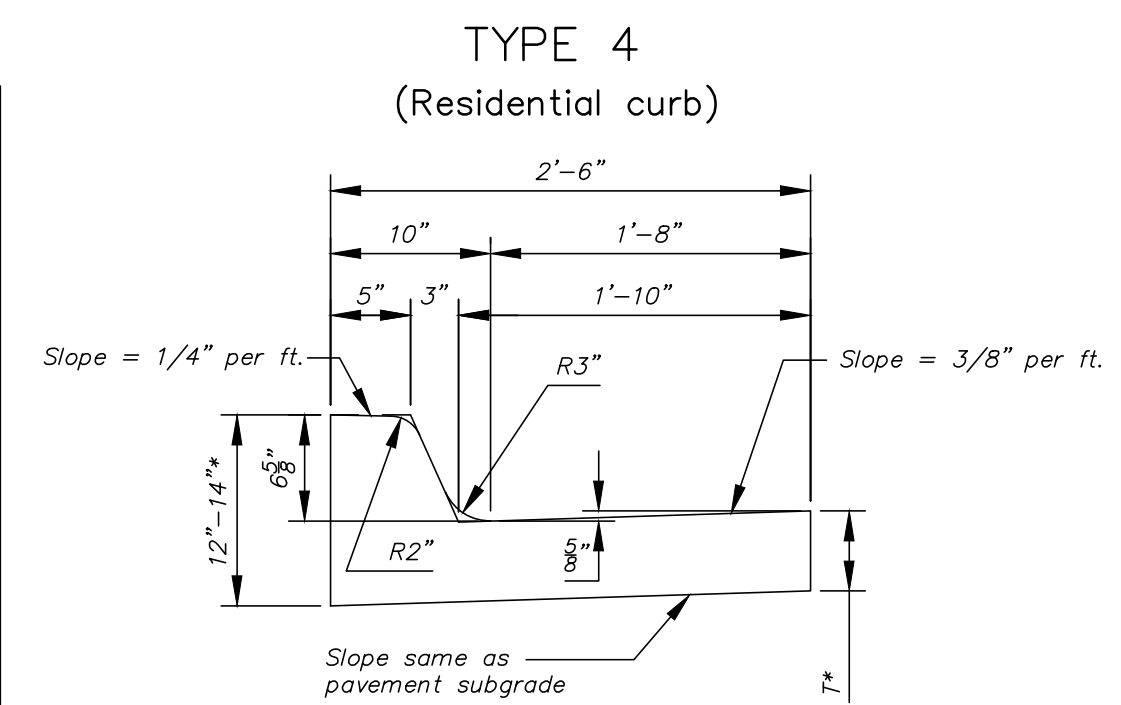
Combined Curb & Gutter (1 1/2")



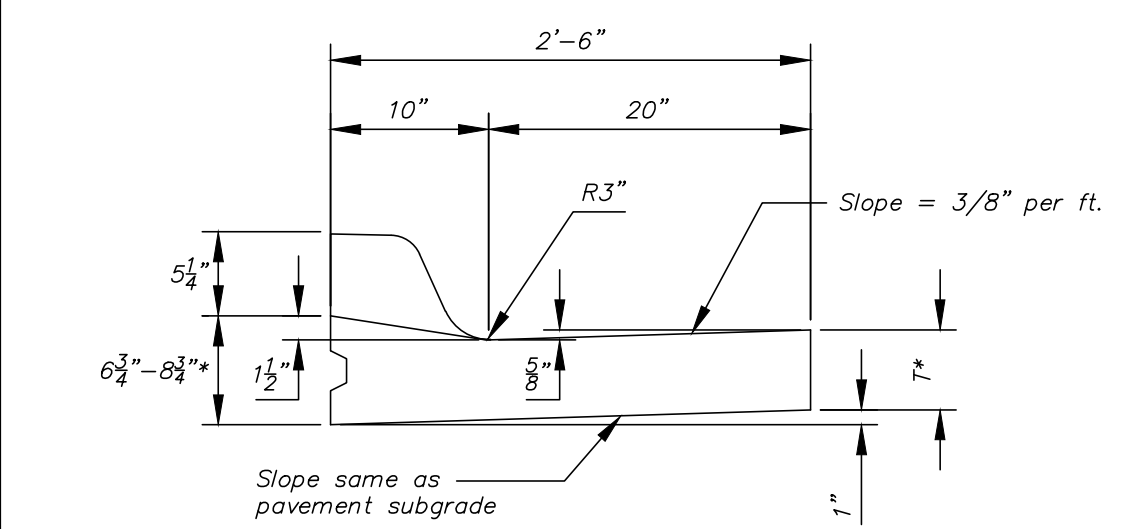
Combined Curb & Gutter (8")



Combined Curb & Gutter (1 1/2")



Combined Curb & Gutter (6 5/8")

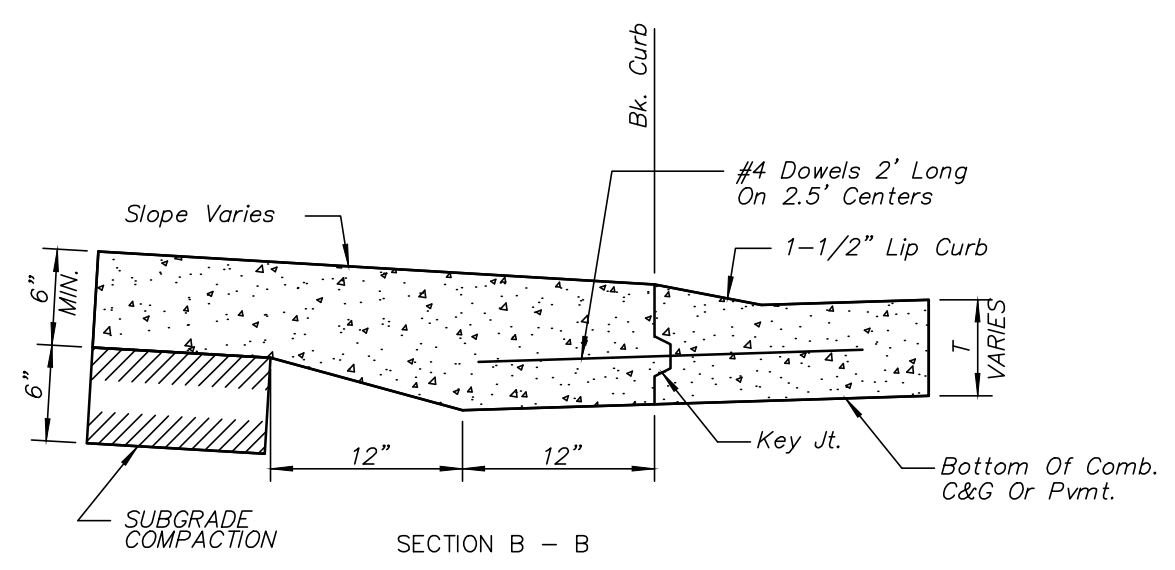


Combined Curb & Gutter (1 1/2")

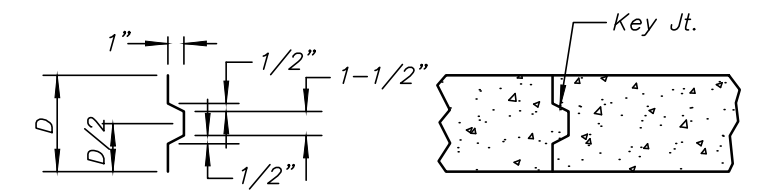
T* = Thickness of curb to adjust with pavement thickness

GENERAL NOTES

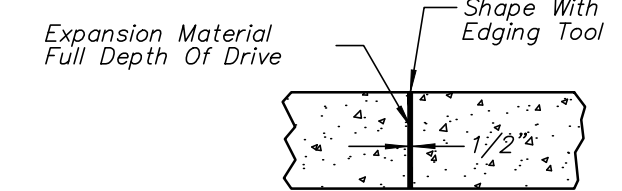
- Expansion (isolation) joints shall be constructed a maximum of 300' apart and at all PIs, PCs, cul-de-sac quadrants, and ends of returns.
- Contraction joints shall be constructed a minimum of 12' apart.
- Joint sealer shall be required at all joints on arterial and industrial streets and at intersections on residential streets.



BACK OF CURB DETAIL



ALT. LONGITUDINAL CONSTRUCTION JOINT



EXPANSION JOINT (E.J.)



CURB & GUTTER DETAILS		
CITY ENGINEER GARY JANZEN, P.E.		
PROJECT NUMBER	OCA NUMBER	DATE
		12/2010
CITY ENGINEER'S OFFICE		
CITY HALL - SEVENTH FLOOR 455 NORTH MAIN STREET WICHITA, KANSAS 67202-1620 (316) 268-4501		
DESIGN	DRAWN	
	SHEET	
	of	

NORTHBOROUGH ADDITION STREET AND DRAINAGE IMPROVEMENTS CURB AND GUTTER CITY OF WICHITA, KANSAS GARY JANZEN, P.E. - CITY ENGINEER	No.	Date	By	Approved	Revision
POE & ASSOCIATES, INC. CONSULTING ENGINEERS 5900 E. Central, Suite 200 ■ Wichita, KS 67208-4242 Phone 316/665-4114 ■ FAX 316/665-4444					
	FINAL Engineer: S. SERVIS Designer: J. UNRUH Dwg. P.: B4.3c / B4.3c - ROAD - sheets Date: 6/19/2013				
05	Sheet of	31			