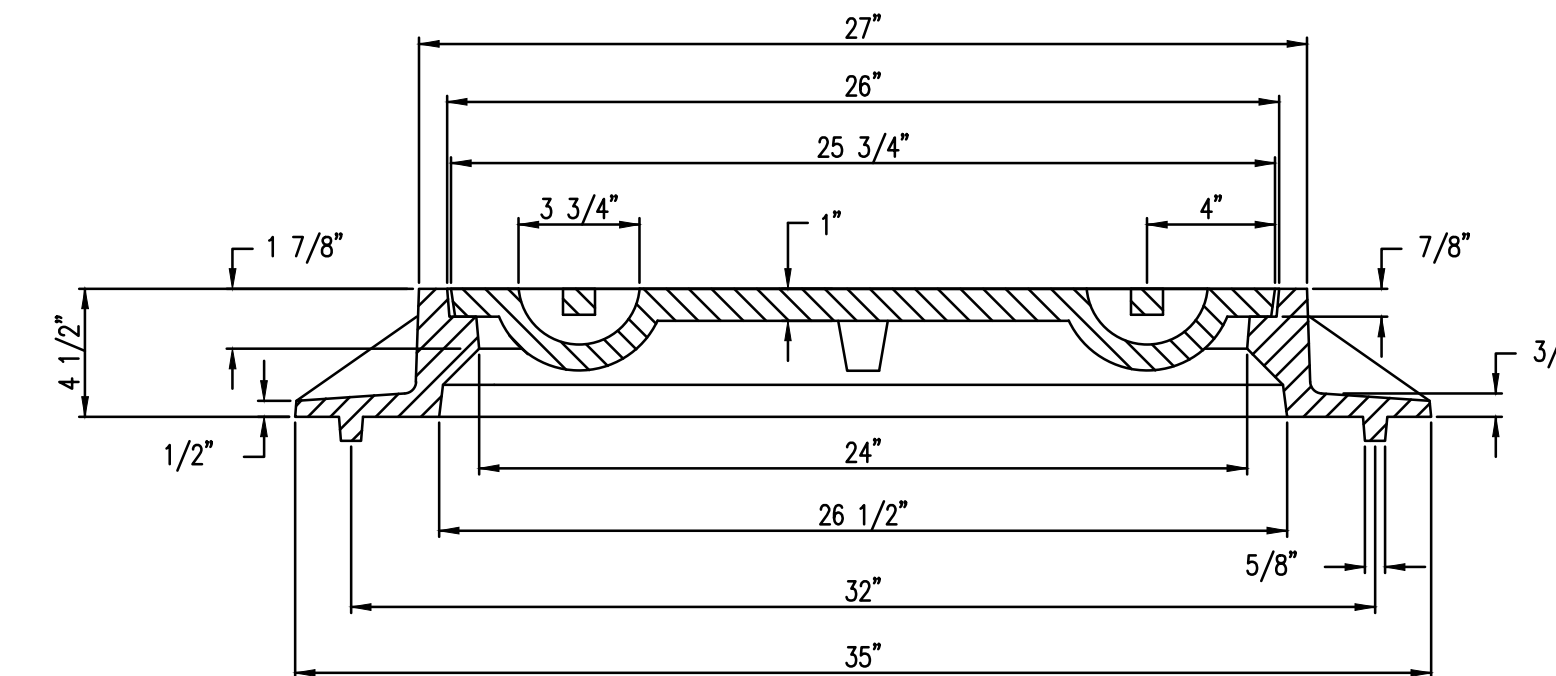
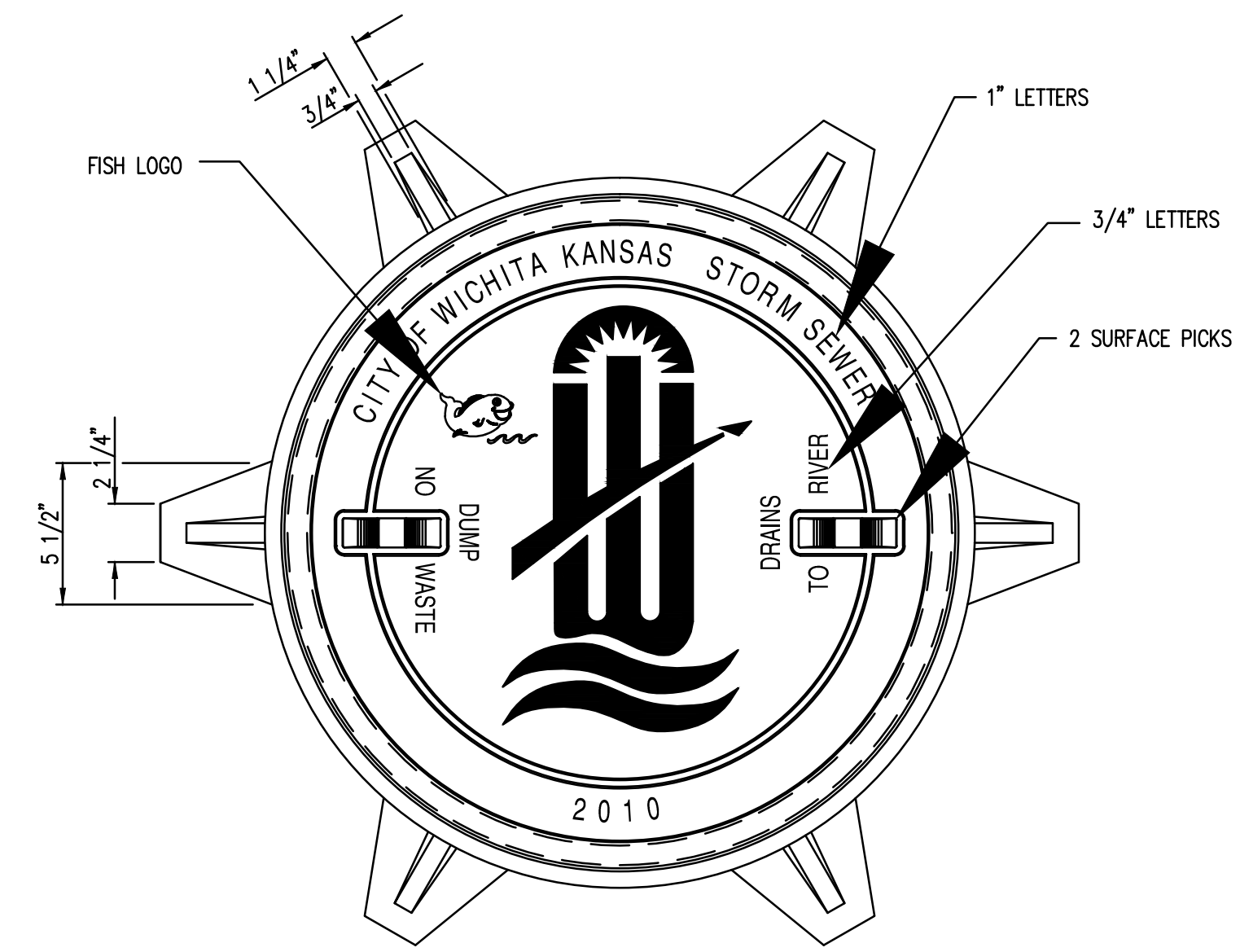


MANHOLE FRAME
DEETER #1261 OR EJIW #1936-Z1

- NOTE:
1. FURNISHED WITH MACHINED HORIZONTAL BEARING SURFACE.
 2. COVER TO BE DEETER #1261 OR EJIW #1936A.



INLET FRAME
DEETER #2014 OR EJIW #1936-Z4

- NOTE:
1. FURNISHED WITH MACHINED HORIZONTAL BEARING SURFACES.
 2. NOT TO BE USED UNDER PAVEMENT.
 3. COVER TO BE DEETER #1261 OR EJIW #1936A.



MANHOLE/INLET FRAME AND COVER (STORM SEWER)

CITY ENGINEER
GARY JANZEN, P.E.

PROJECT NUMBER	OCA NUMBER	DATE
		11/2010

CITY ENGINEER'S OFFICE
CITY HALL - SEVENTH FLOOR
455 NORTH MAIN STREET
WICHITA, KANSAS 67202-1620
(316) 268-4501

DESIGN	DRAWN

SHEET
_ of _

Revision	By	Date	No.

NORTHBOROUGH ADDITION
STREET AND DRAINAGE IMPROVEMENTS
MANHOLE COVER DETAILS

CITY OF WICHITA, KANSAS
GARY JANZEN, P.E. - CITY ENGINEER

POE & ASSOCIATES, INC.
CONSULTING ENGINEERS
5900 E. Central, Suite 200 ■ Wichita, KS 67208-4242
Phone 316.665-4114 ■ FAX 316.665-4444

LICENSED PROFESSIONAL ENGINEER
TIMOTHY R. AUSTIN
11496
KANSAS
7/8/13

FINAL

Engineer: S. SERVIS
Dwg: P. \B4.3c \B4.3c - ROAD - sheets
Date: 6/19/2013

Sheet 10 of 31