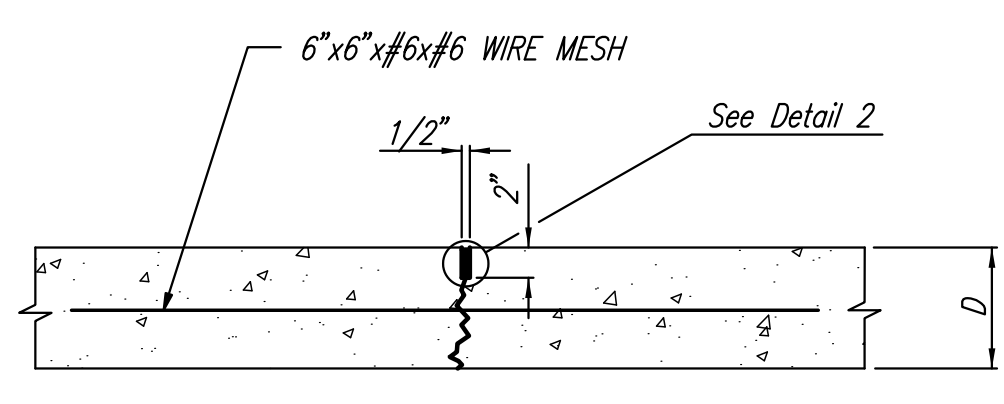
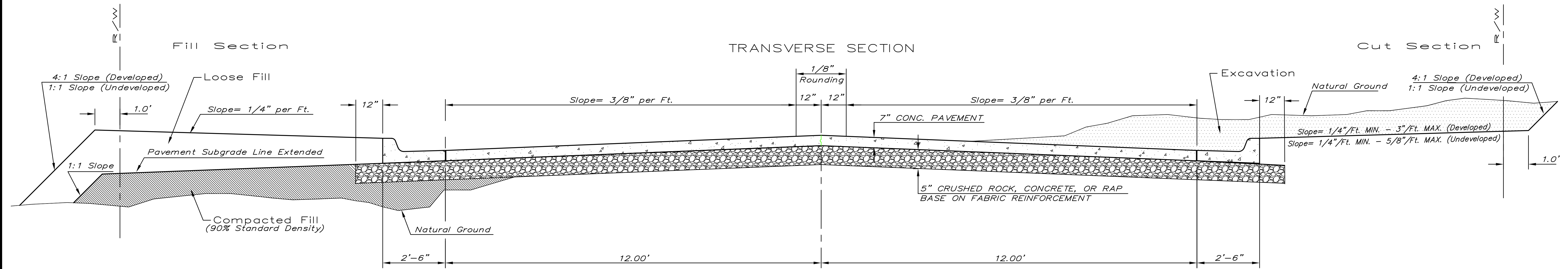
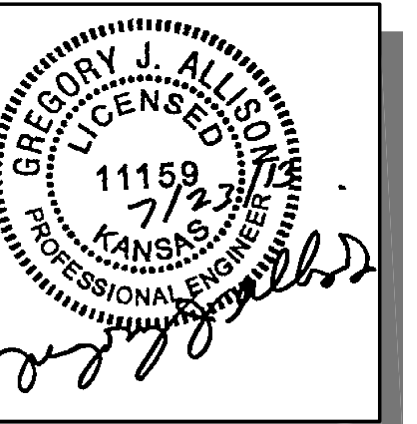
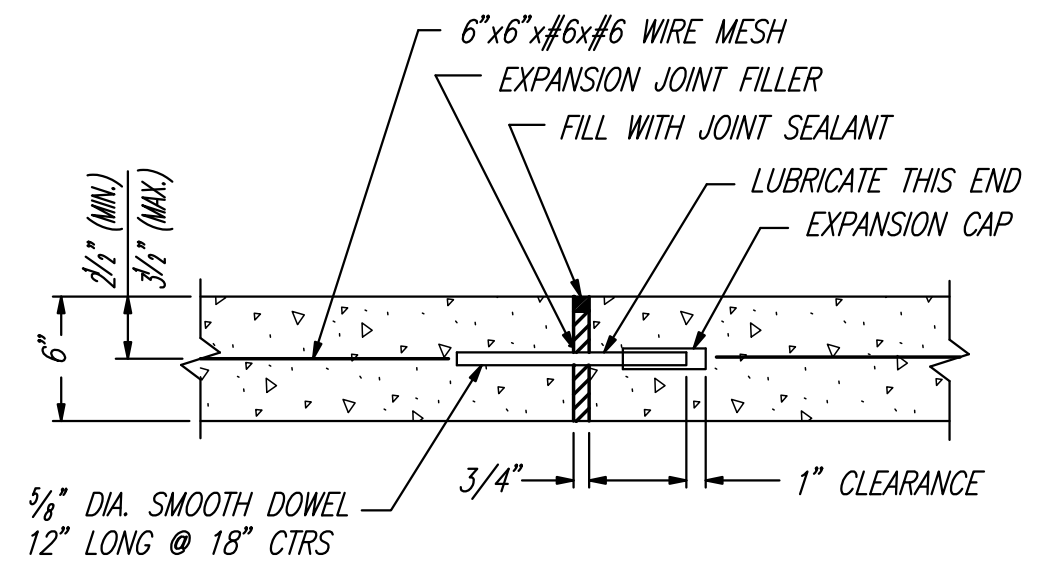


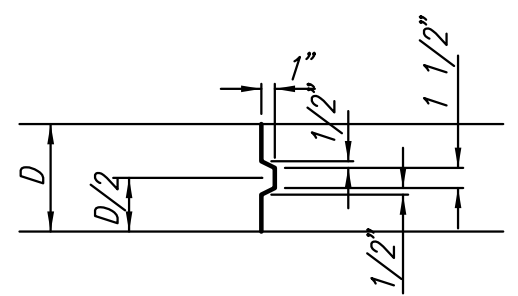
TYPICAL 29' B-B PAVEMENT DETAILS



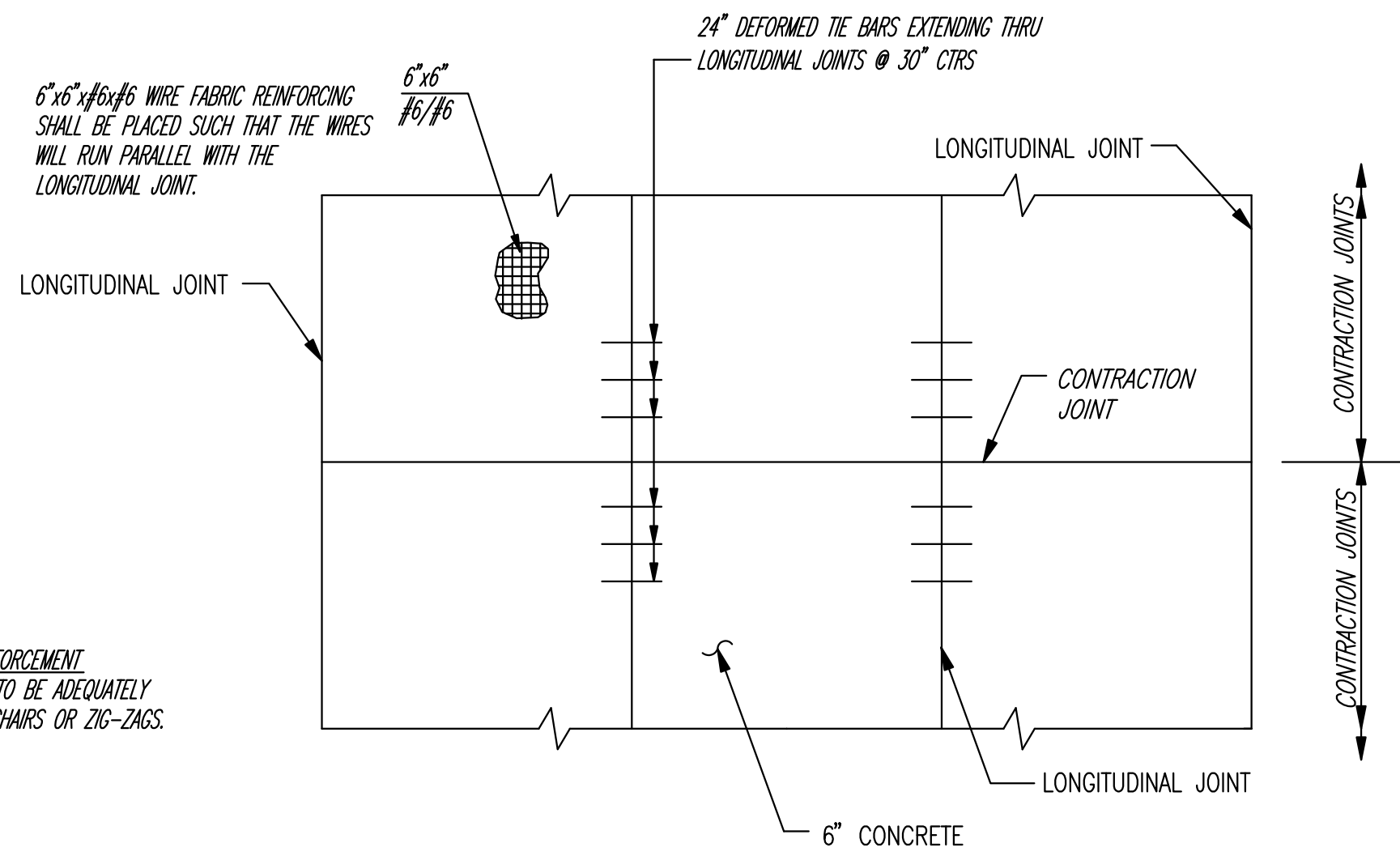
**CONTRACTION JOINT (C.J.)
MESH REINFORCED PAVEMENT**



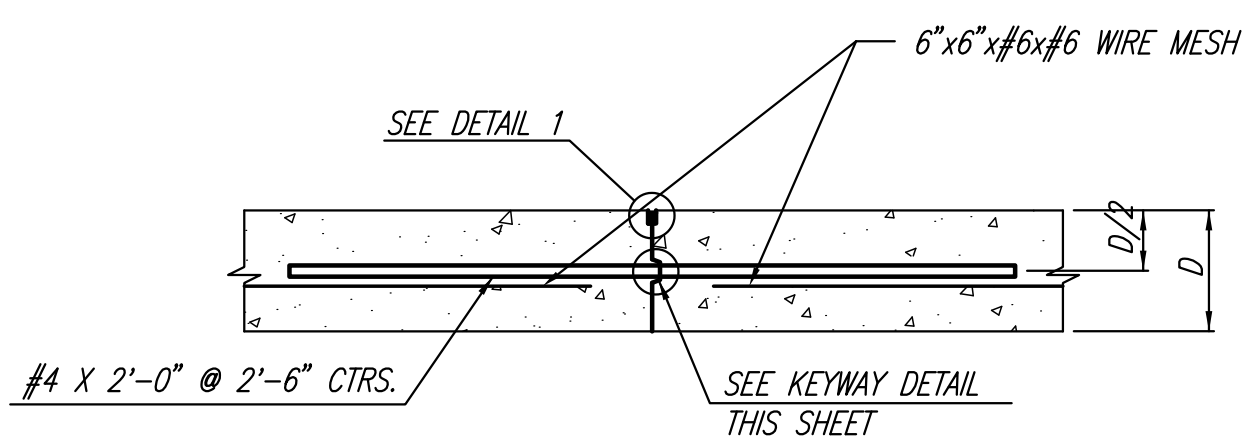
**EXPANSION JOINT TYPE \"A\"
200' MAXIMUM SPACING
PLACE AT BEGINNING AND END OF ALL RADI**



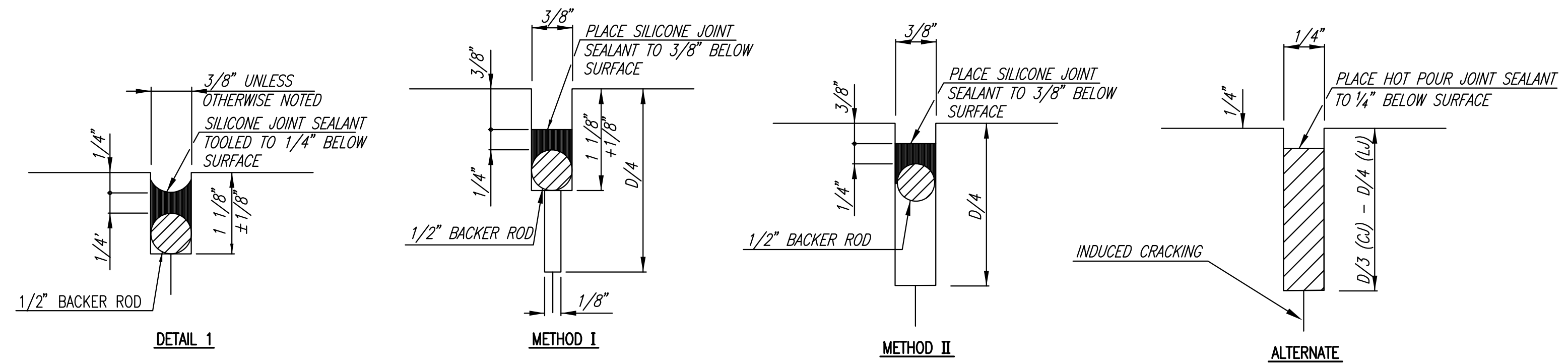
KEYWAY DETAIL
KEYWAY MAY BE OMITTED WHEN POURING
BOTH SIDES OF THE JOINT
SIMULTANEOUSLY.



**PAVEMENT JOINT PLAN
(2-LANE WITH CURB AND GUTTER)**



**LONGITUDINAL CONSTRUCTION JOINT (L.J.)
MESH REINFORCED PAVEMENT**



JOINT SEALANT DETAILS

ALT #2

**PAVING PLANS FOR
WATERFRONT SIXTH ADDITION
PART A**

**PAVING
DETAILS**
SHEET TITLE
472-84626
PROJECT NUMBER

JAG / JWC / GJA
DESIGNED DRAWN CHECKED

ISSUED
July 2013
REVISED

SHEET NO.
3 of 24

PLOTTED: Wednesday, July 24, 2013 @ 11:37AM
 H:\CIVIL\02014\08\ADD\CIVIL\3D\5-CIVIL\CAD\PAV\02014-ED1B.DWG