

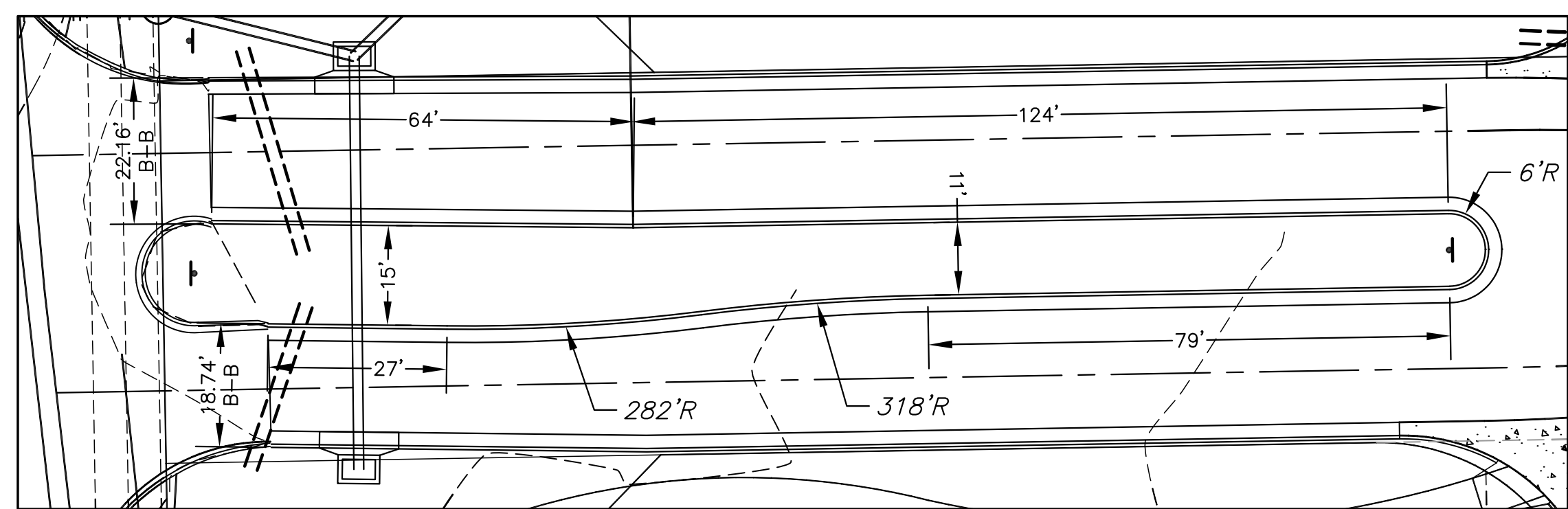
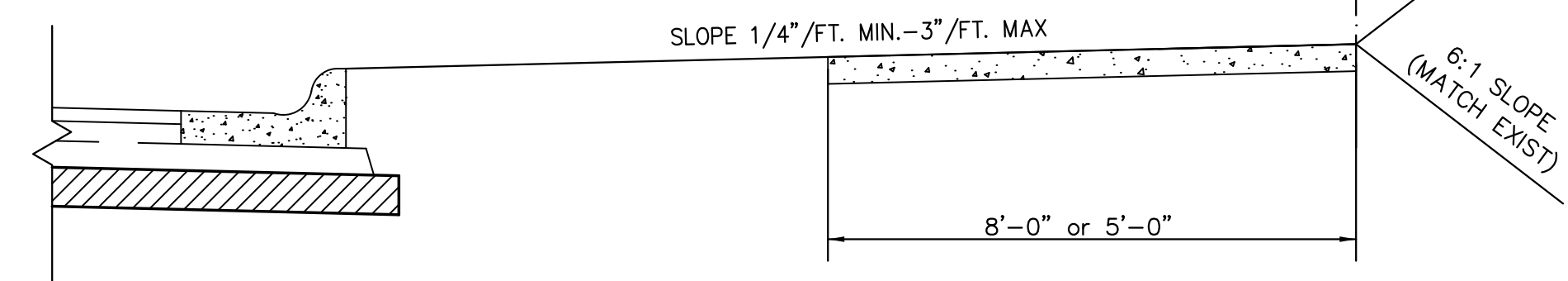
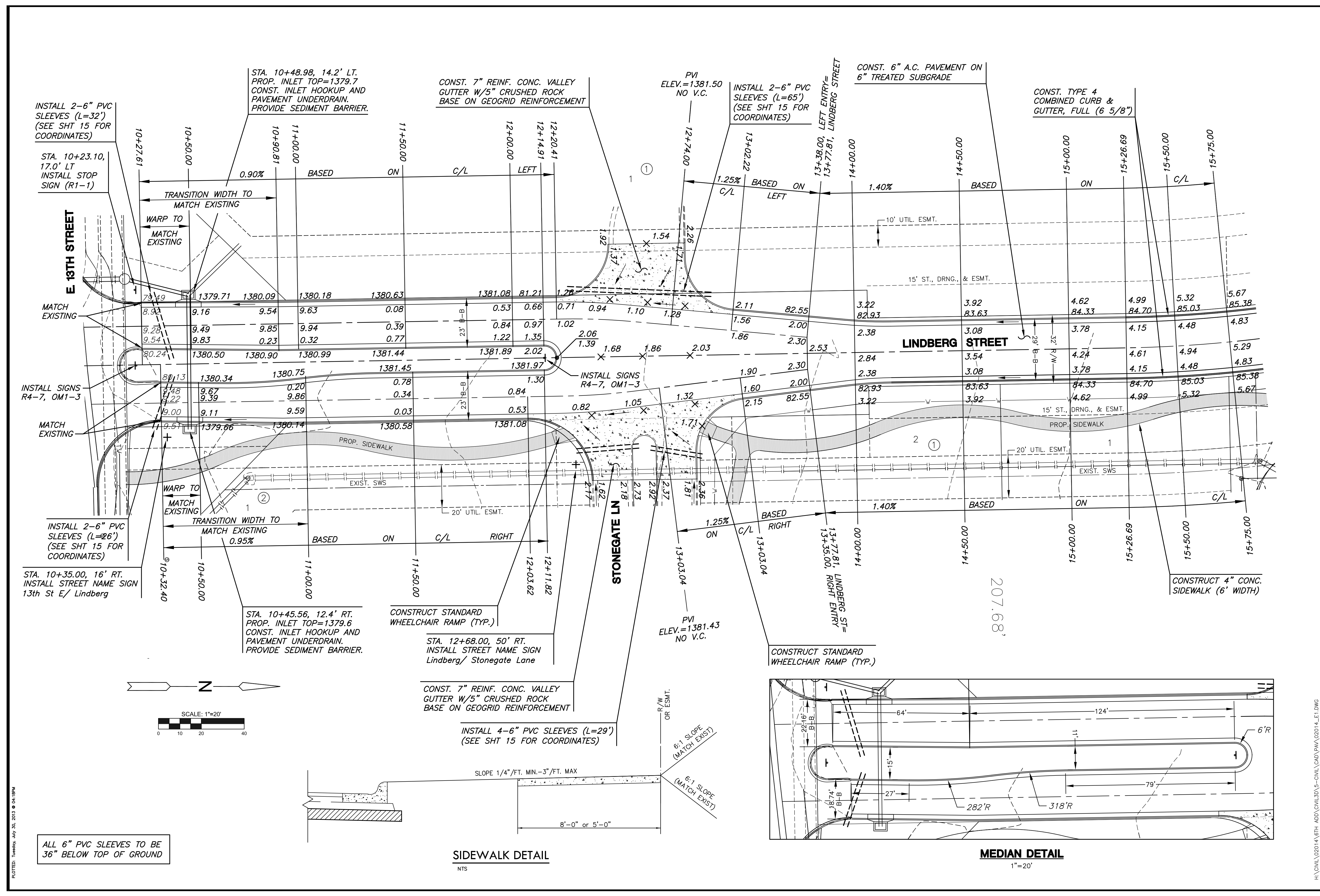
**PAVING & INCIDENTAL DRAINAGE FOR
WATERFRONT SIXTH ADDITION
PART A**

LINDBERG STREET
SHEET TITLE
472-84626
PROJECT NUMBER

DFL / JWC / GJA
DESIGNED / DRAWN / CHECKED

ISSUED
July 2013
REVISED
07/30/13 ADDED SLEEVES

SHEET NO.
8 of 24



ALL 6" PVC SLEEVES TO BE
36" BELOW TOP OF GROUND

PLOTTER: Tuesday, July 30, 2013 8:04:18 AM

H:\CIVIL\02014\6TH ADD\CIVIL3D\5-CIVIL\GAD\PAV\02014.E1.DWG