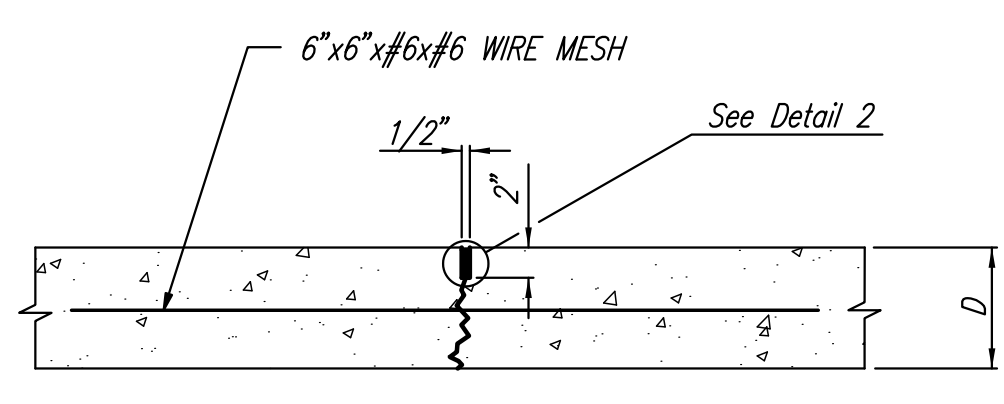
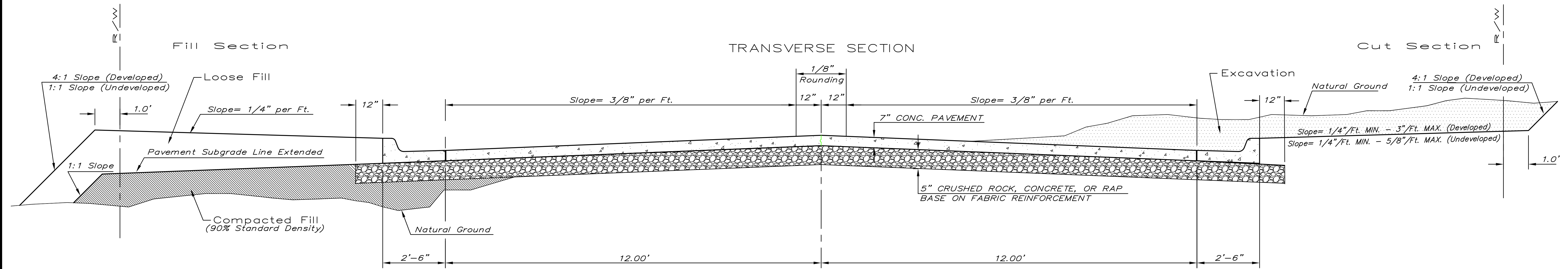
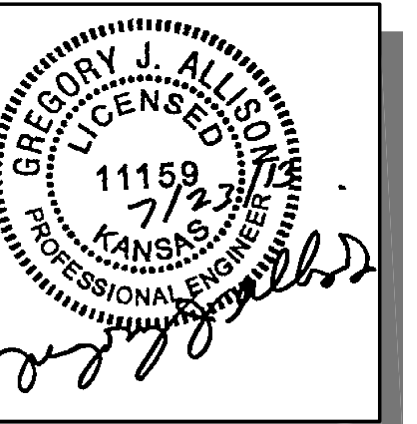
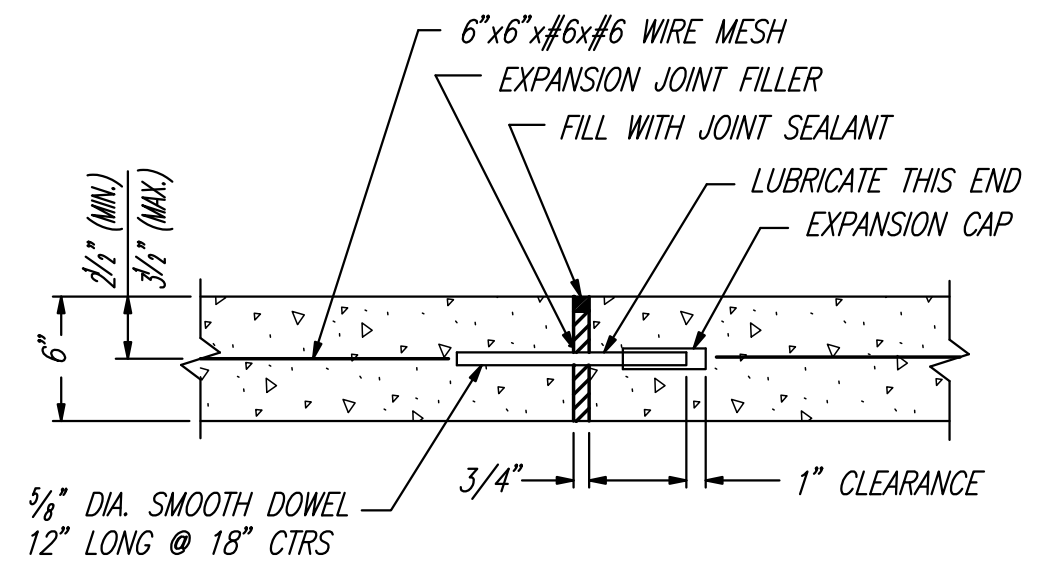


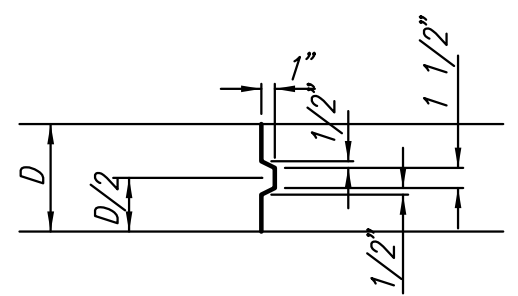
TYPICAL 29' B-B PAVEMENT DETAILS



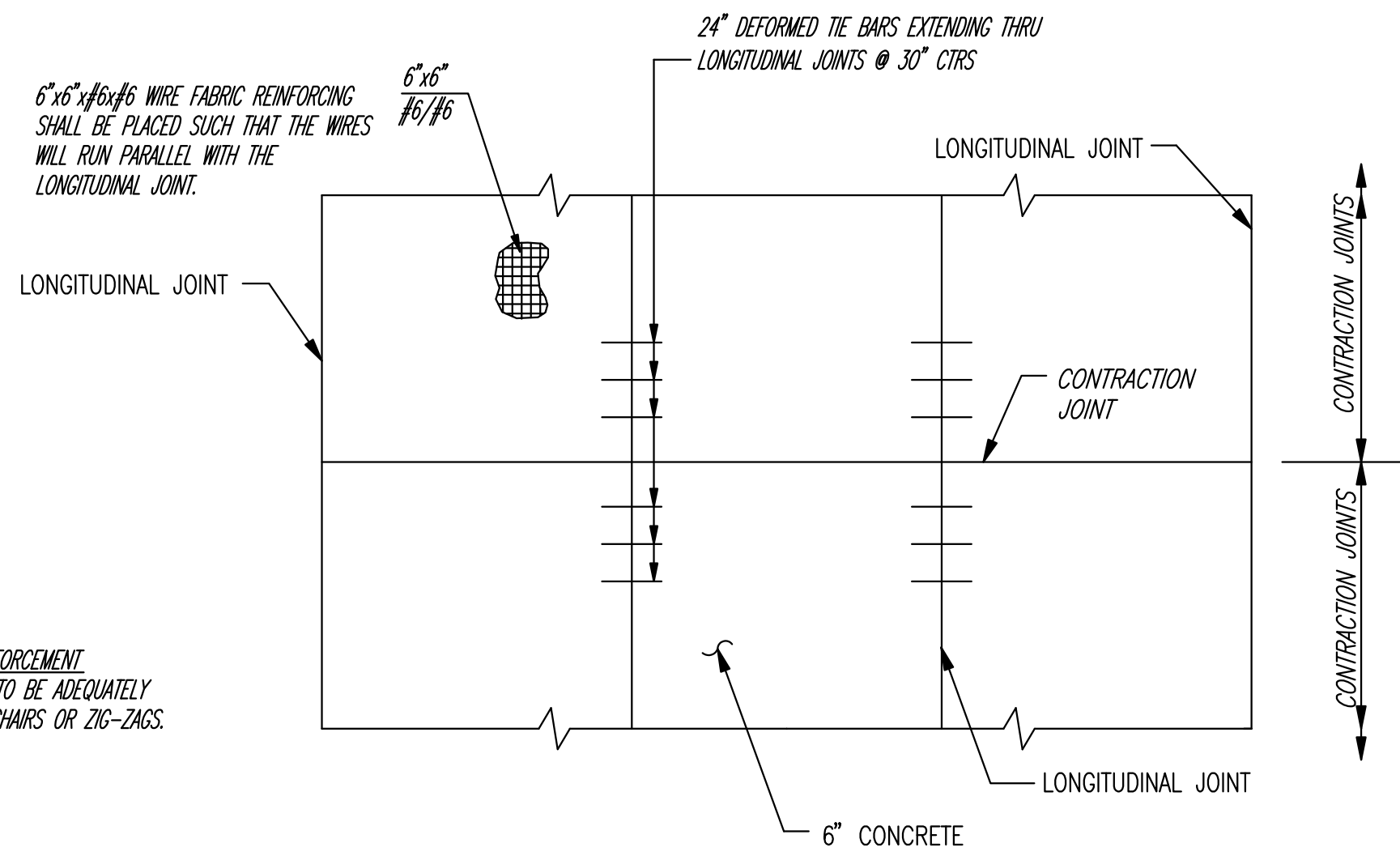
**CONTRACTION JOINT (C.J.)
MESH REINFORCED PAVEMENT**



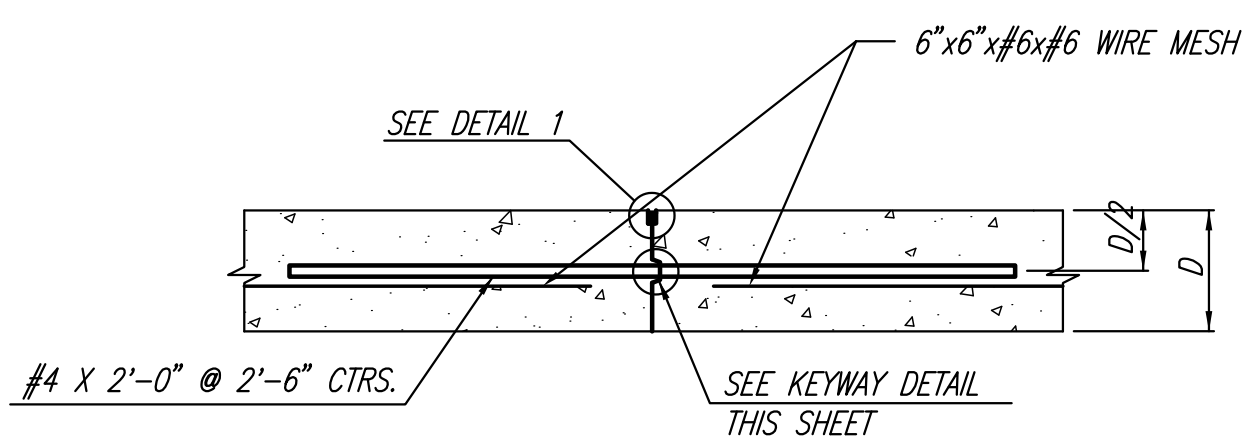
EXPANSION JOINT TYPE \"A\"
200' MAXIMUM SPACING
PLACE AT BEGINNING AND END OF ALL RADI



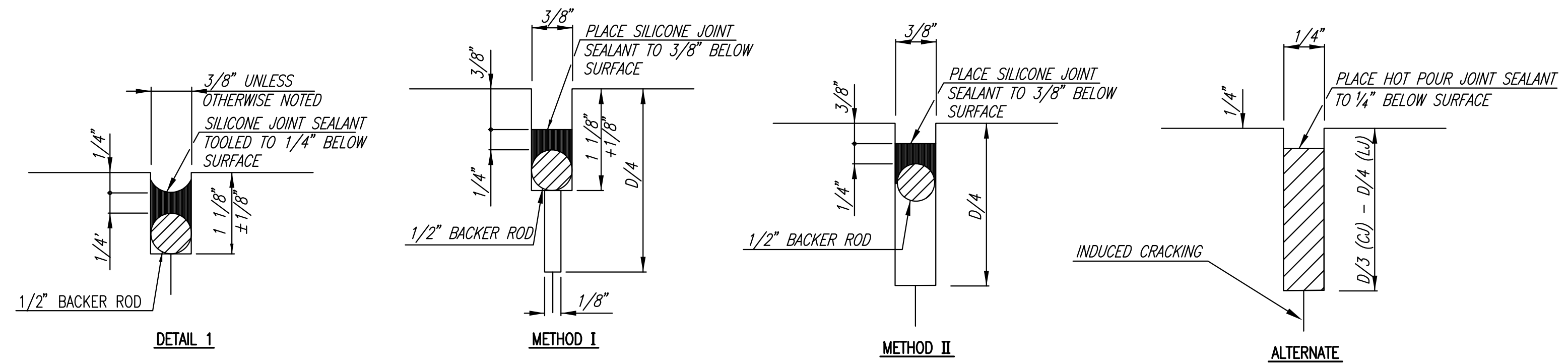
KEYWAY DETAIL
KEYWAY MAY BE OMITTED WHEN POURING
BOTH SIDES OF THE JOINT
SIMULTANEOUSLY.



PAVEMENT JOINT PLAN
(2-LANE WITH CURB AND GUTTER)



**LONGITUDINAL CONSTRUCTION JOINT (L.J.)
MESH REINFORCED PAVEMENT**



JOINT SEALANT DETAILS

ALT #2

**PAVING PLANS FOR
WATERFRONT EIGHTH ADDITION
PART A**

**PAVING
DETAILS**
SHEET TITLE
472-85097
PROJECT NUMBER

JAG / JWC / GJA
DESIGNED DRAWN CHECKED

ISSUED
July 2013
REVISED

SHEET NO.
3 of 20