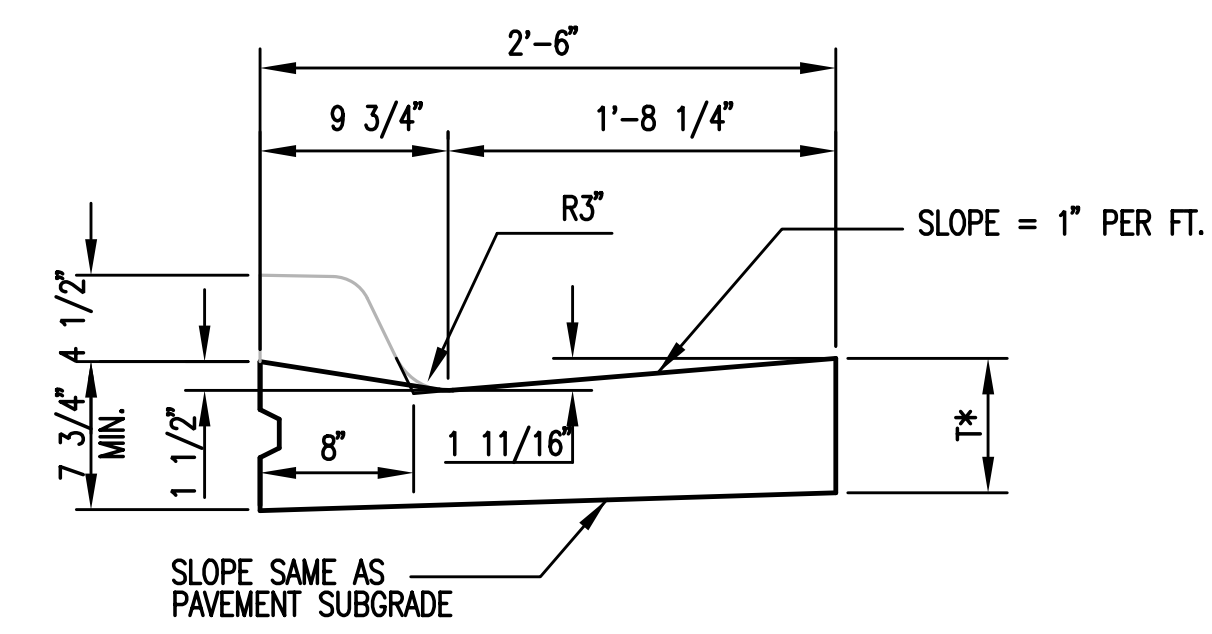
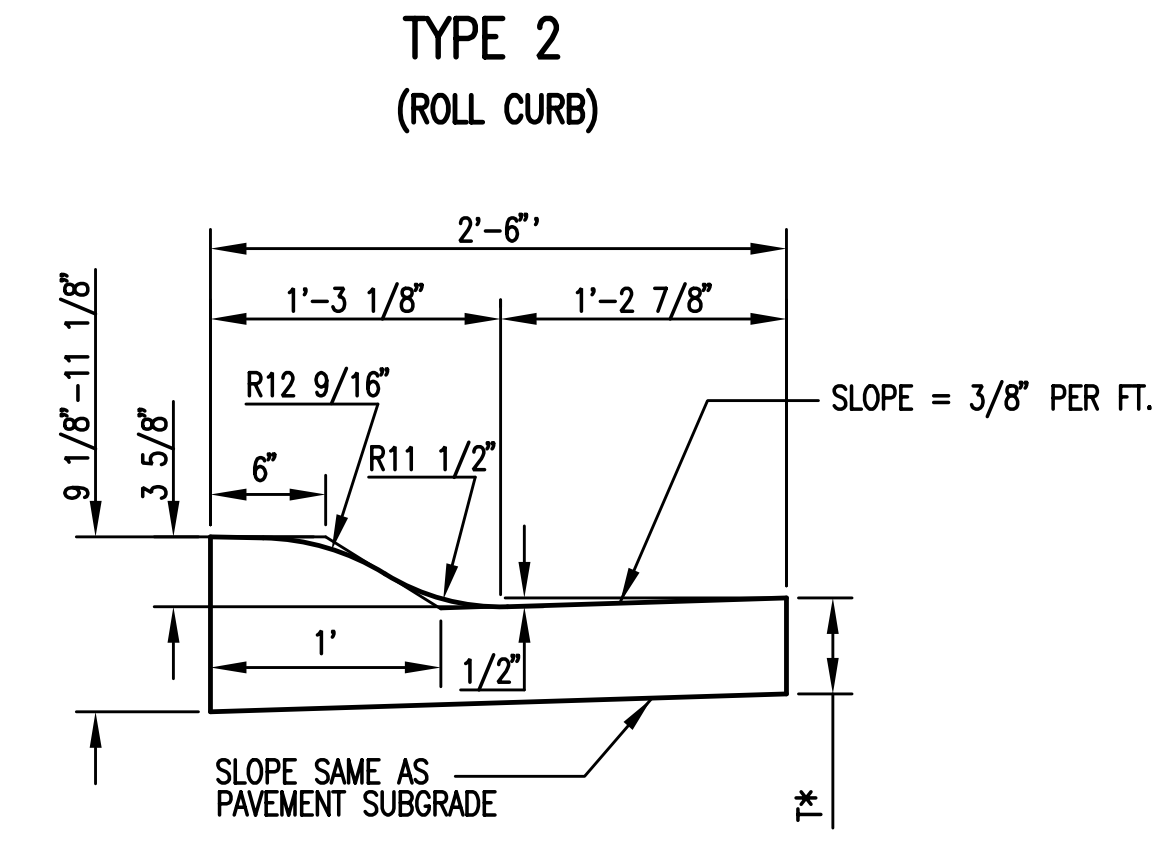


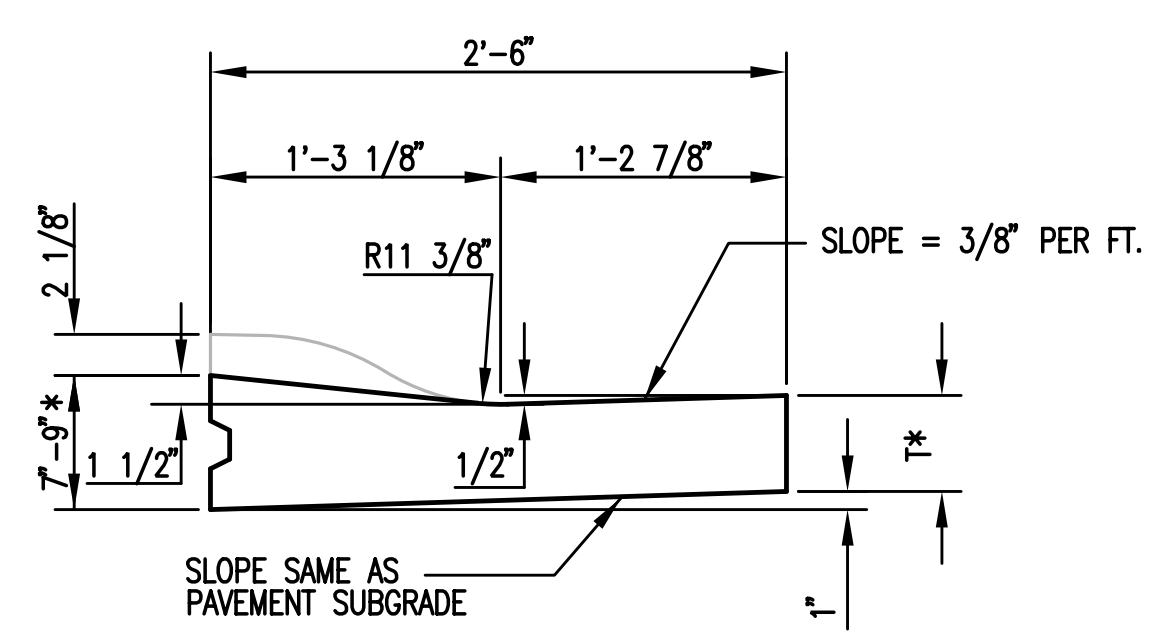
COMBINED CURB & GUTTER (6")



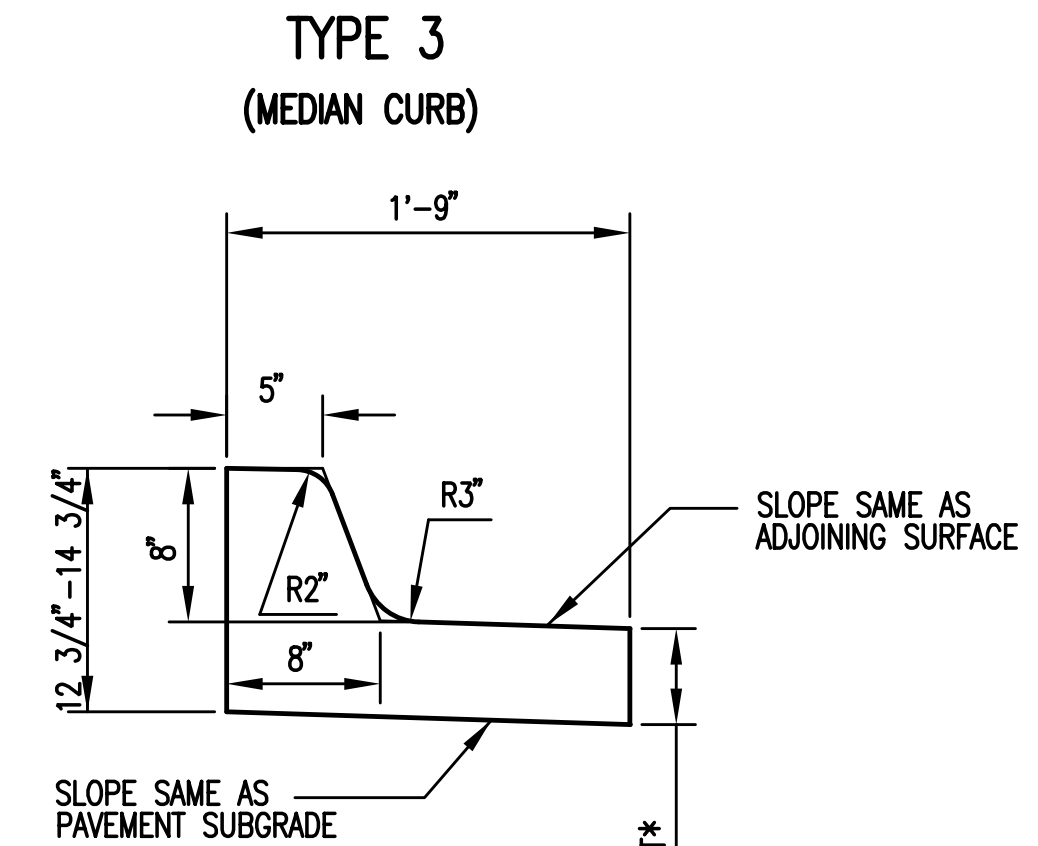
COMBINED CURB & GUTTER (1 1/2")



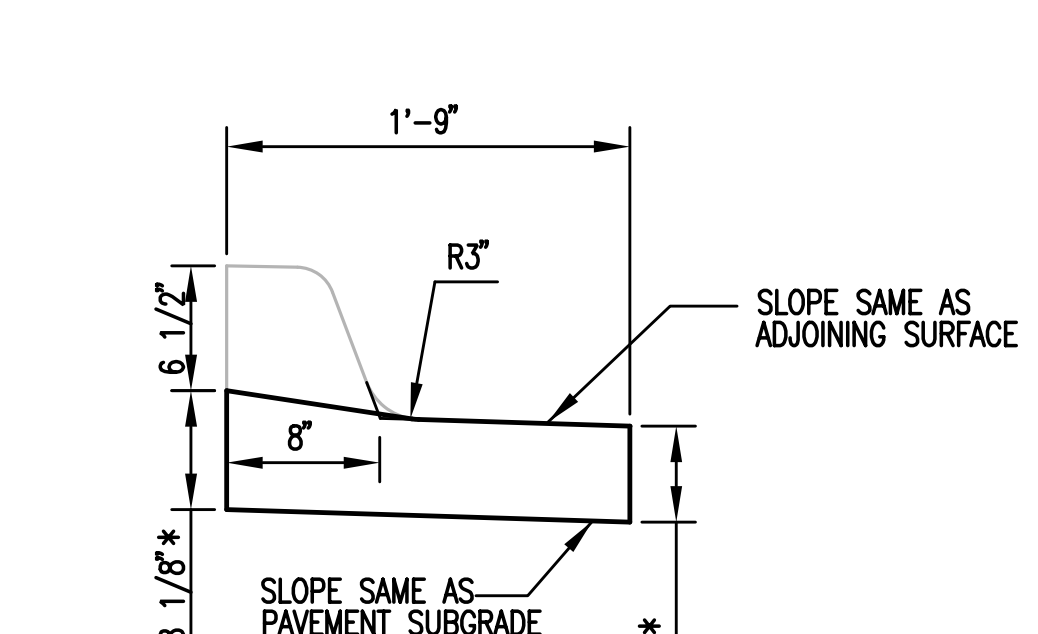
COMBINED CURB & GUTTER (3 5/8")



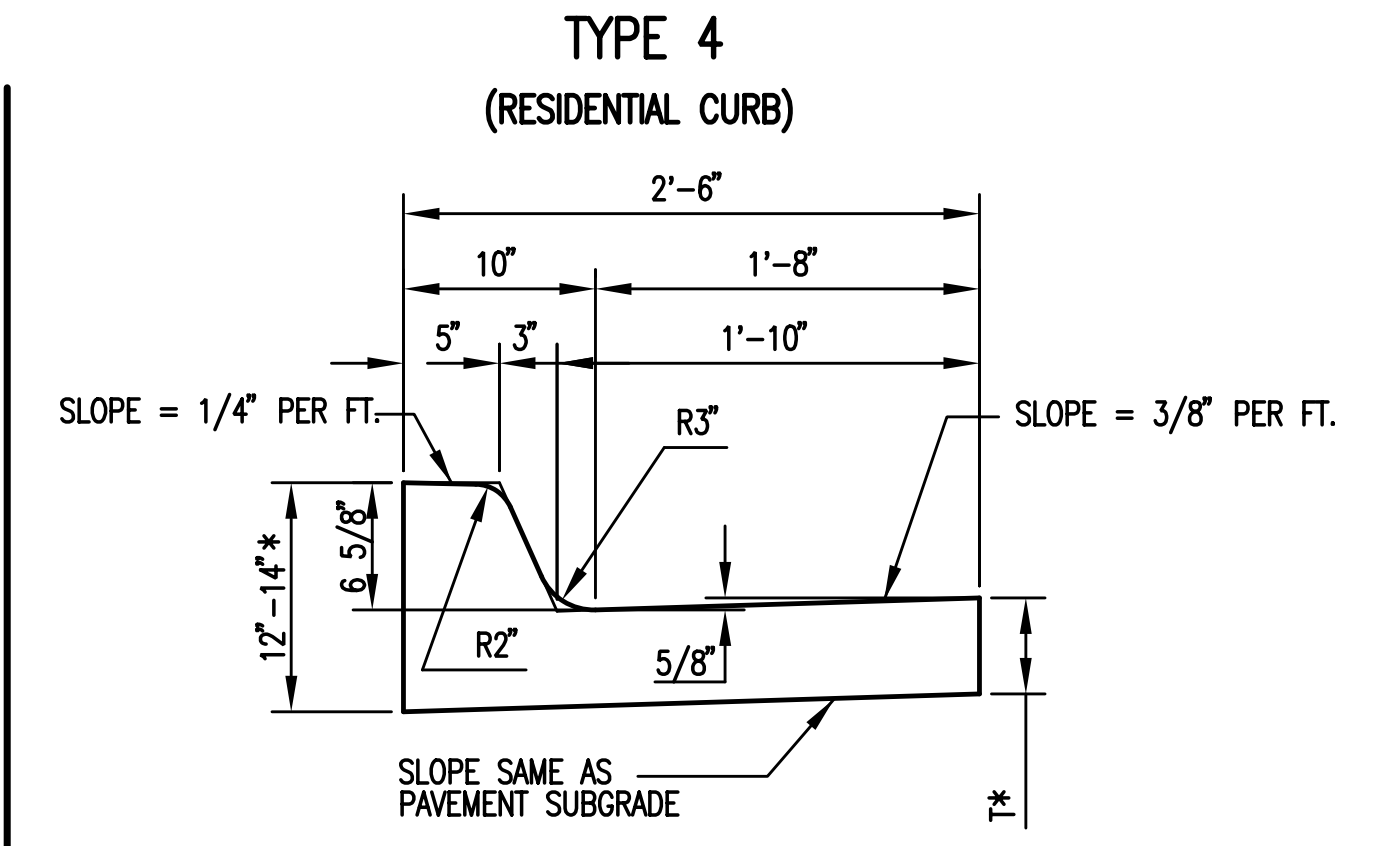
COMBINED CURB & GUTTER (1 1/2")



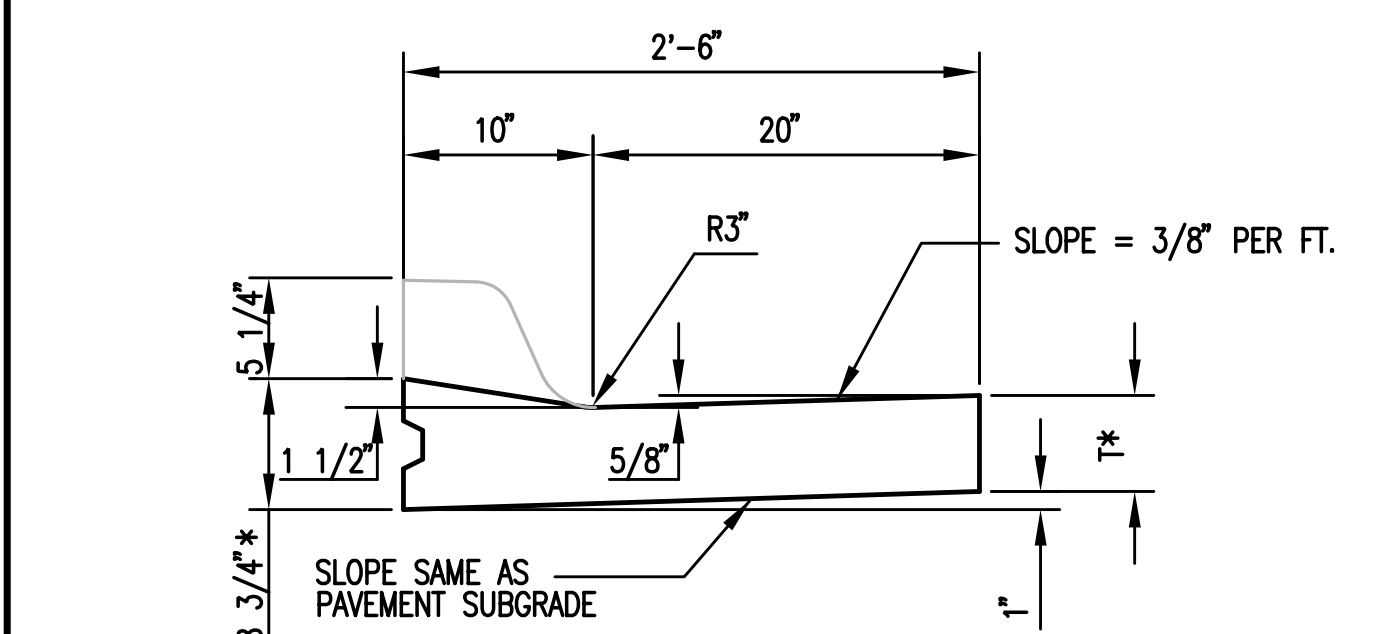
COMBINED CURB & GUTTER (8")



COMBINED CURB & GUTTER (1 1/2")



COMBINED CURB & GUTTER (6 5/8")

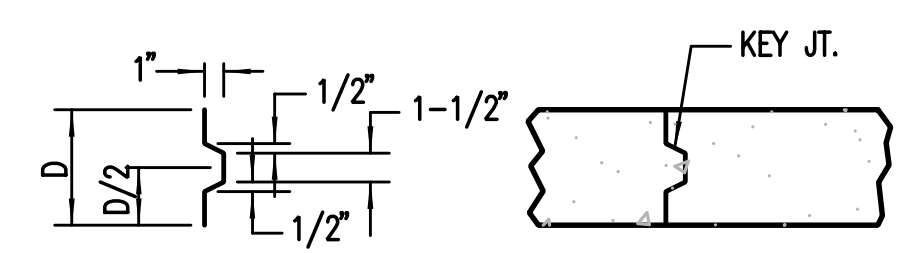
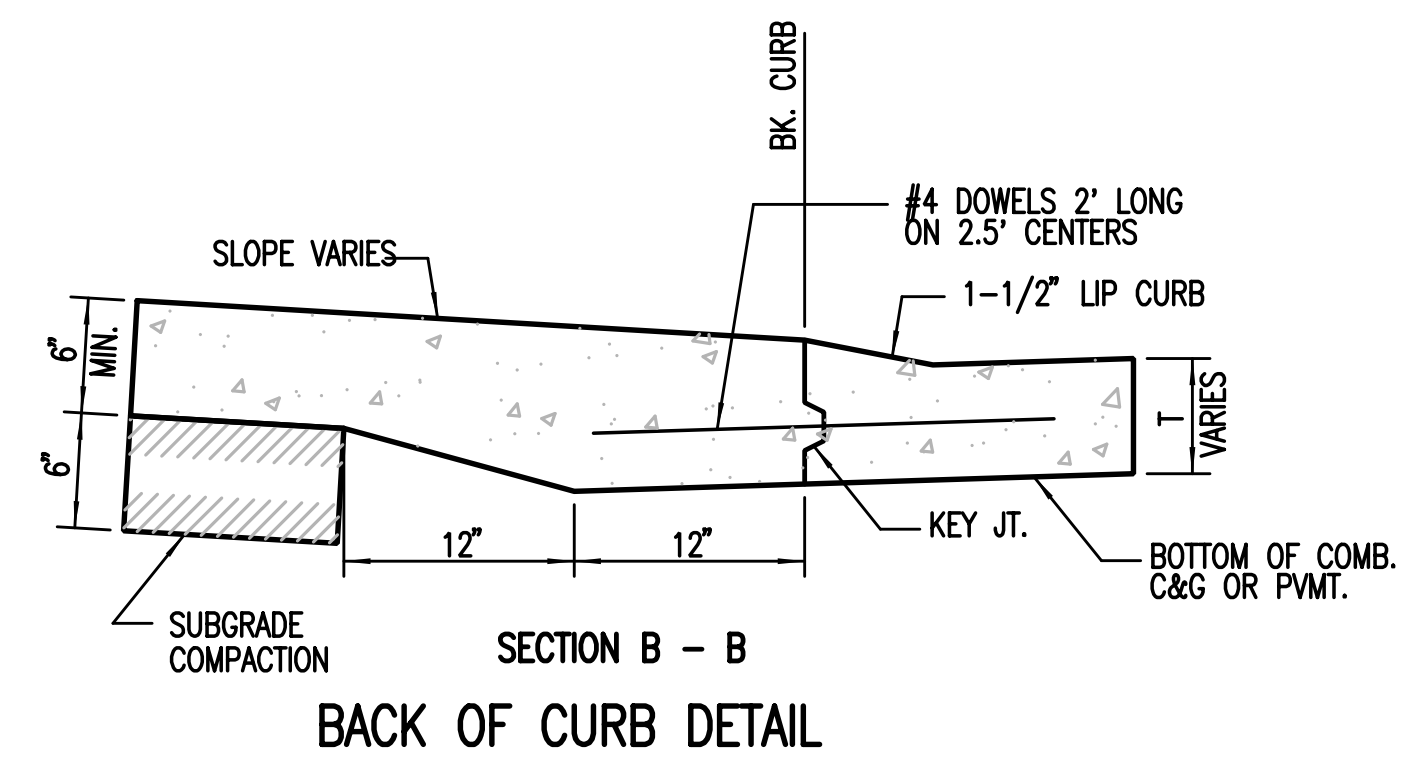


COMBINED CURB & GUTTER (1 1/2")

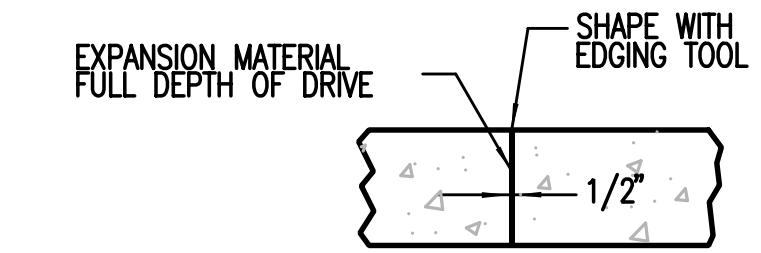
T* = THICKNESS OF CURB TO ADJUST WITH PAVEMENT THICKNESS

GENERAL NOTES

1. EXPANSION (ISOLATION) JOINTS SHALL BE CONSTRUCTED A MAXIMUM OF 300' APART AND AT ALL PIS, PCS, CUL-DE-SAC QUADRANTS, AND ENDS OF RETURNS.
2. CONTRACTION JOINTS SHALL BE CONSTRUCTED A MINIMUM OF 12' APART.
3. JOINT SEALER SHALL BE REQUIRED AT ALL JOINTS ON ARTERIAL AND INDUSTRIAL STREETS AND AT INTERSECTIONS ON RESIDENTIAL STREETS.



ALT. LONGITUDINAL CONSTRUCTION JOINT



EXPANSION JOINT (E.J.)

Sheet 10/22/2010 8:00:13 PM by RFJ
 Proj: Sewer 110
 File: 2010\0281\Standards\0281-PV-101_Curb_& Gutter

			CURB & GUTTER DETAILS		
			CITY ENGINEER GARY JANZEN, P.E.		
PROJECT NUMBER	OCA NUMBER	DATE	DESIGN	DRAWN	
472-84915	707022	12/2010			
CITY ENGINEER'S OFFICE CITY HALL - SEVENTH FLOOR 455 NORTH MAIN STREET WICHITA, KANSAS 67202-1620 (316) 268-4501			SHEET	13 of 83	