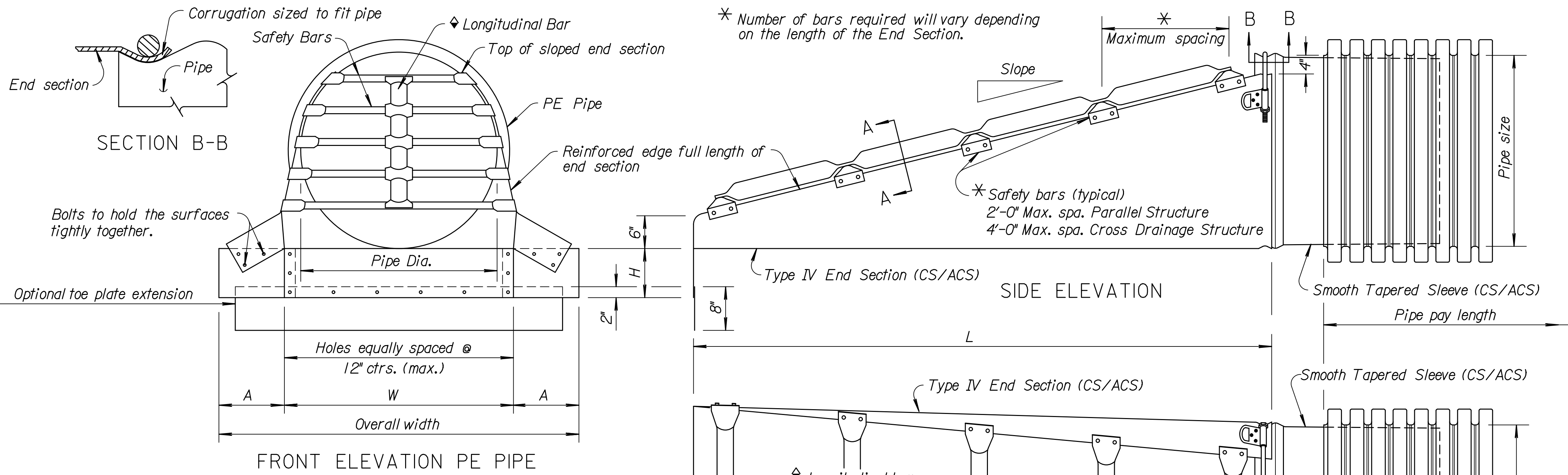


STATE	PROJECT NO.	YEAR	SHEET NO.	TOTAL SHEETS
KANSAS	472-84915	2013	27	83

Note to Designer: KDOT Pipe Policy provides guidance in identifying the prohibited and/or restricted uses of CSP, ACSP, PEP, PVC/P, CAP & RCP. Provide end sections of the same type and coating as the pipe. Exceptions to this are noted in the Standard Specifications. Refer to the KDOT Design Manual, Volume I (Part C), Road Section, Elements of Drainage & Culvert Design for structural pipe design information which includes: corrugations, sizes, gauges, maximum/minimum fill heights and classes of pipe.



GENERAL NOTES

The culvert type shall meet the KDOT Pipe Policy & Standard Specifications.

The size of pipe designated on the plan shall be the nominal inside diameter of a two wall corrugated PE pipe (Type S).

Couplings shall be designed to cover at least two full corrugation on each side of a joint.

No additional payment shall be made for any gain in length due to the fit of the pipe at connections.

All corrugated PE pipe, end sections, couplings, and fittings shall conform with the Standard Specifications.

See Standard Specifications for PE Pipe bedding and backfill.

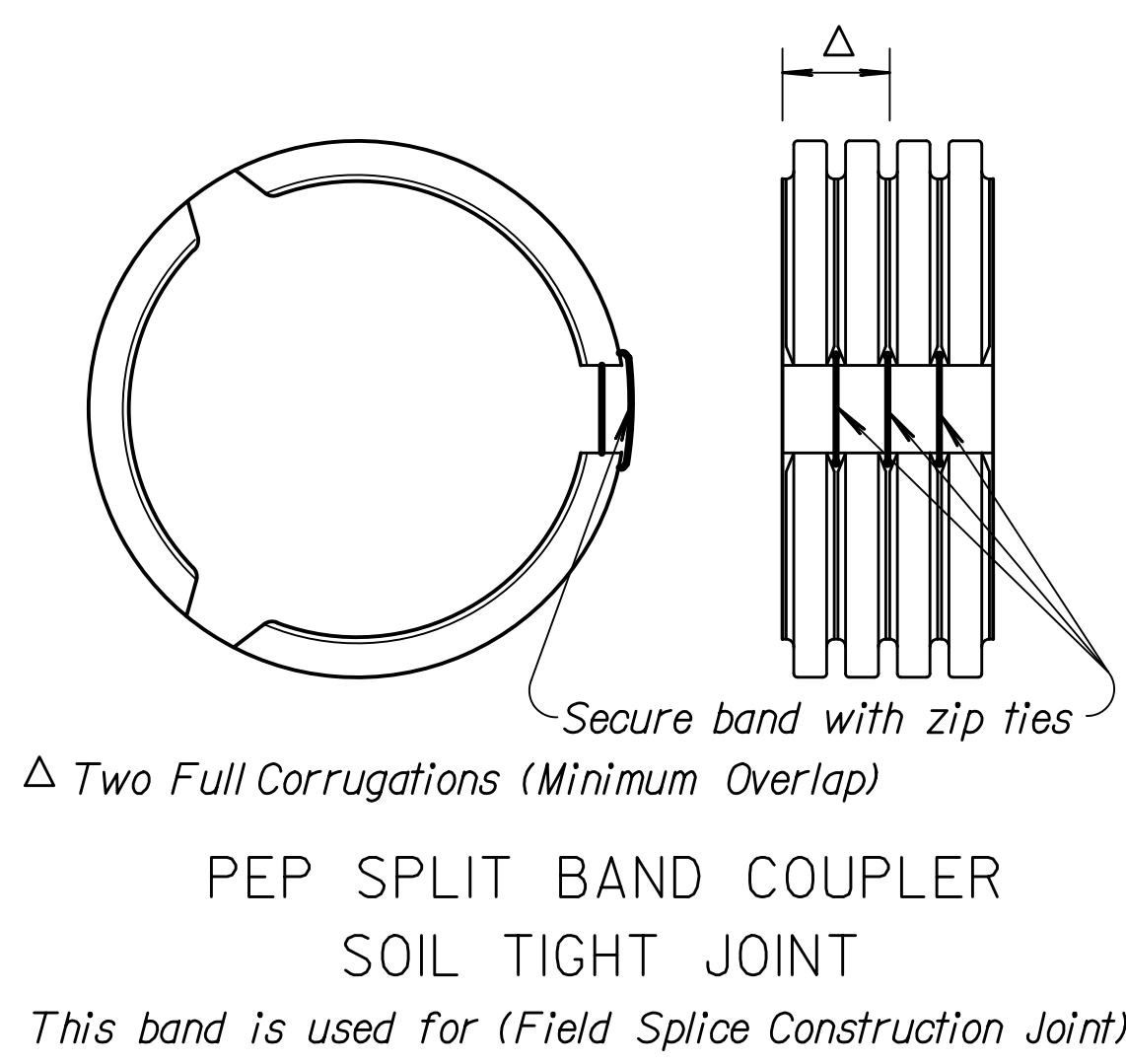
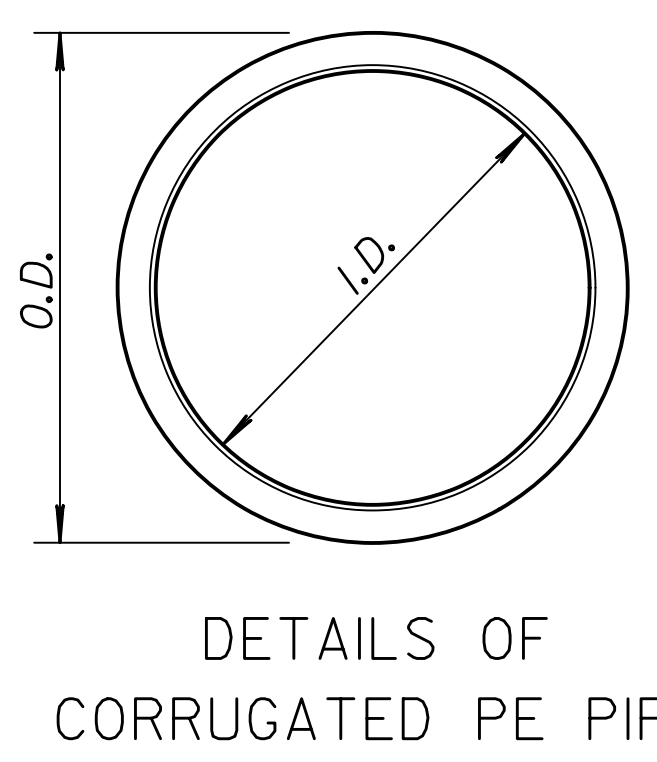
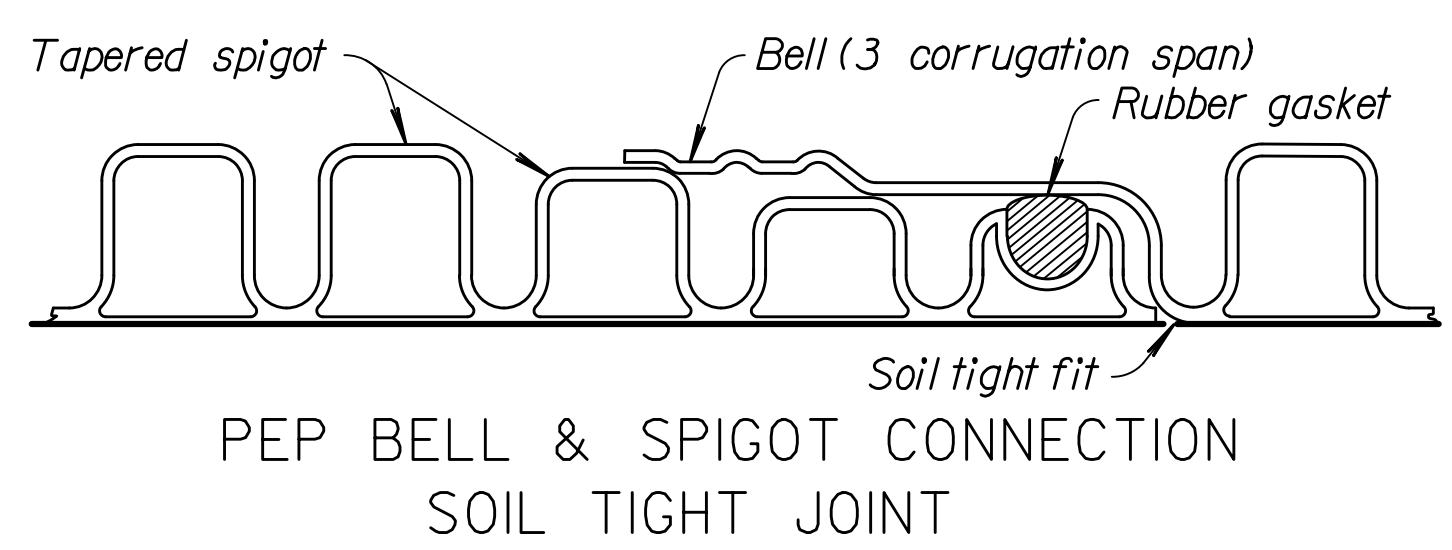
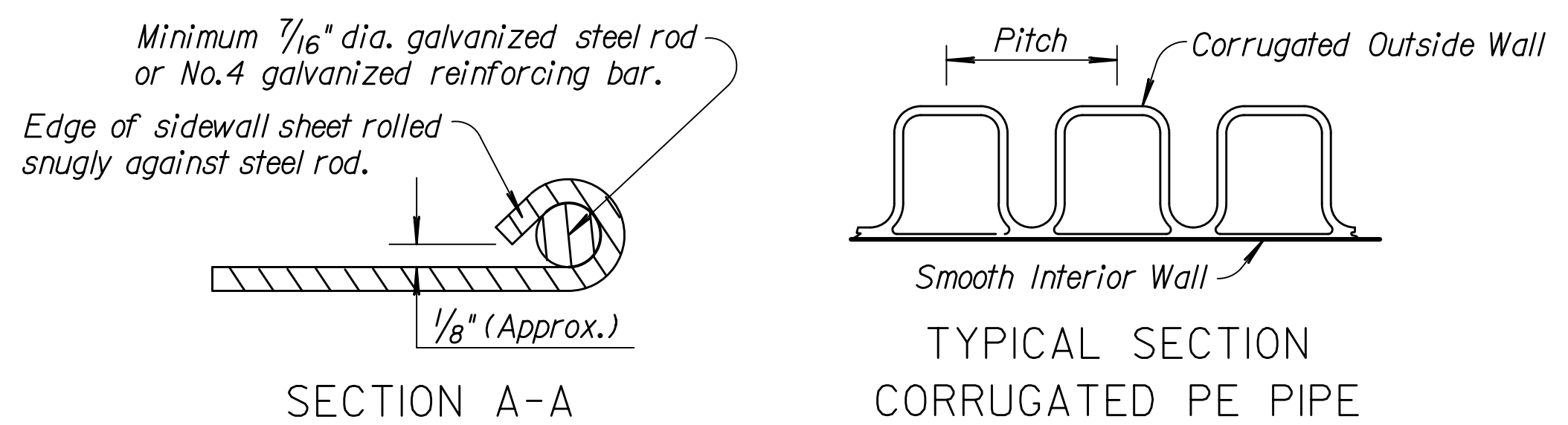
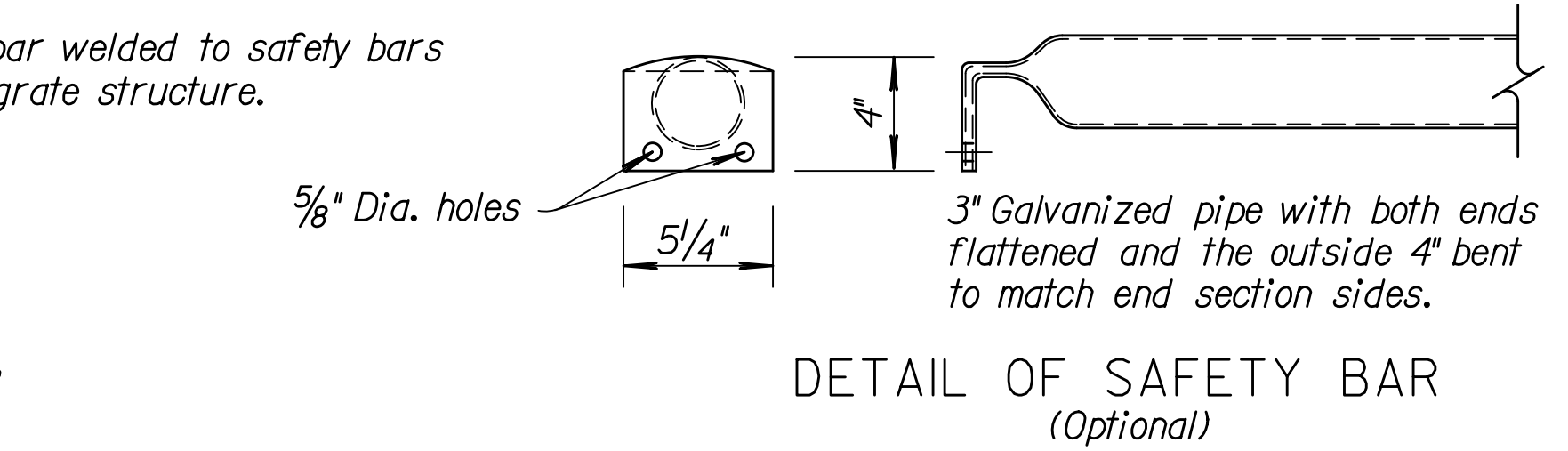
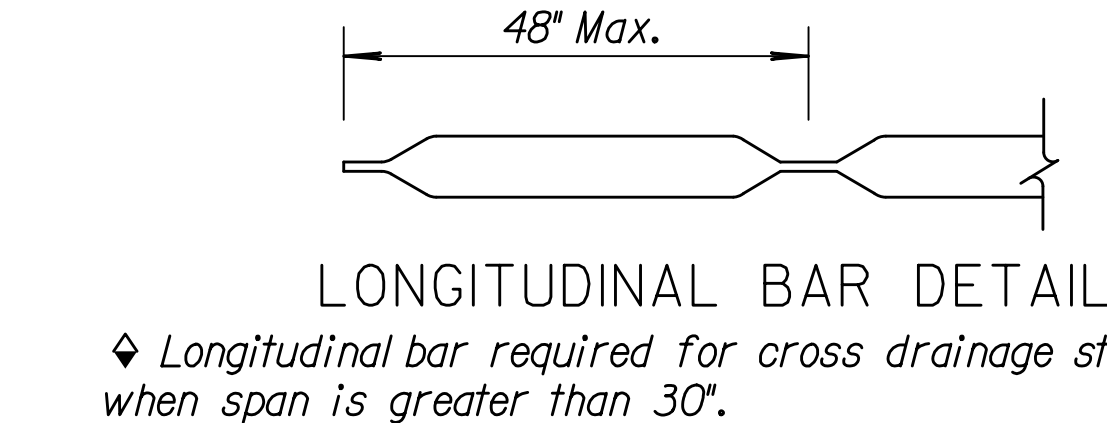
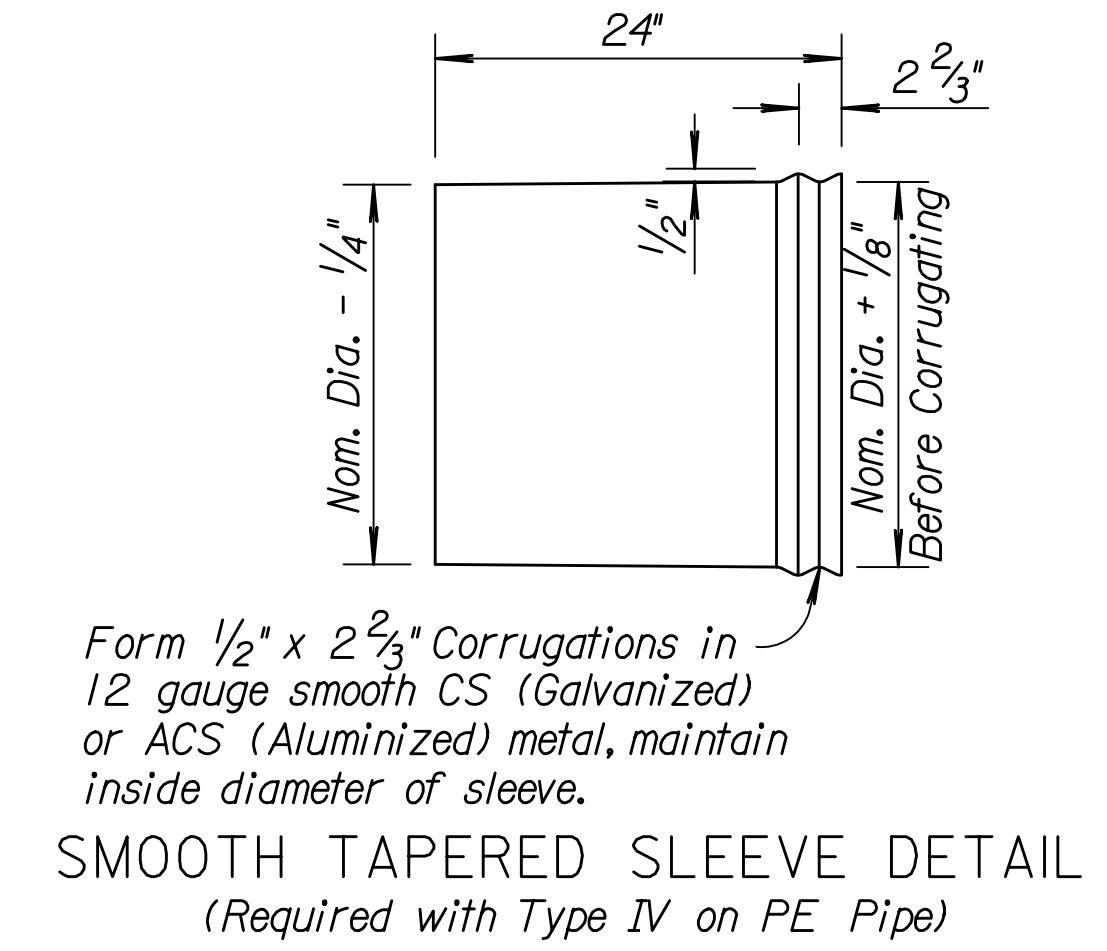
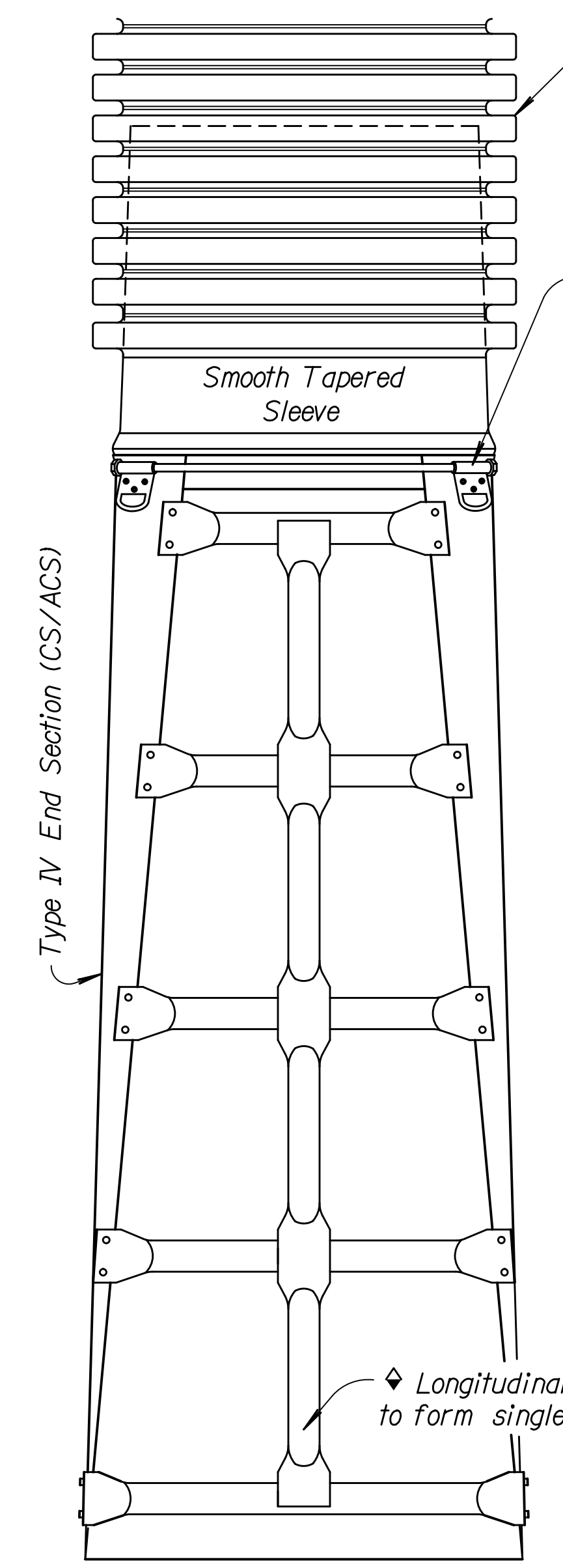
Multiple panel end sections shall have lap seams which are to be tightly joined by bolts & nuts. Corner plate and toe plate to be same gauge and material as end section. When required optional toe plate extension shall be overall width less 6" x 8" high.

Safety bars shall be fabricated from steel pipe meeting the requirements of ASTM A-53 Schedule 40 Specifications. Safety bars shall be hot dipped galvanized after fabrication.

Attachment to PE pipe shall be made with Smooth Tapered Sleeve.

All work and materials required for construction and installation of safety slope end section shall be included in the bid item "End Section (Type IV)".

Pipe Dia. (In.)	Min. Gauge Ends	Dimensions + or - 2"				L Dimensions + or - 2"			
		A	H	W	Overall Width	Slope	Length (In.)	Slope	Length (In.)
30"	12	12	9	36	60	4:1	80	6:1	120
36"	12	12	9	42	66	4:1	104	6:1	156
42"	12	16	12	48	80	4:1	128	6:1	192
48"	12	16	12	54	86	4:1	152	6:1	228
54"	12	16	12	60	92	4:1	176	6:1	264
60"	12	16	12	66	98	4:1	200	6:1	300



Drawn By: svb
 Plotted: 2/15/2013
 File: I:\2010\10281\Standards\10281-rd667a.dgn

TYPE 2 CONNECTOR DETAILS
(For 30" and larger pipe)

DETAIL OF SAFETY BAR
(Optional)

NO.	DATE	REVISIONS	BY	APP'D
1	2-8-08	Add ref. to KDOT pipe policy	S.W.K	J.O.B

KANSAS DEPARTMENT OF TRANSPORTATION

TYPE IV END SECTION FOR PE PIPE

RD667 A

DESIGNED	6-27-08	APP'D.	James O. Brewer
DESIGN CK.	DETAIL CK.	QUANTITIES	TRACED Bowser
		QUAN.CK.	TRACE CK. King