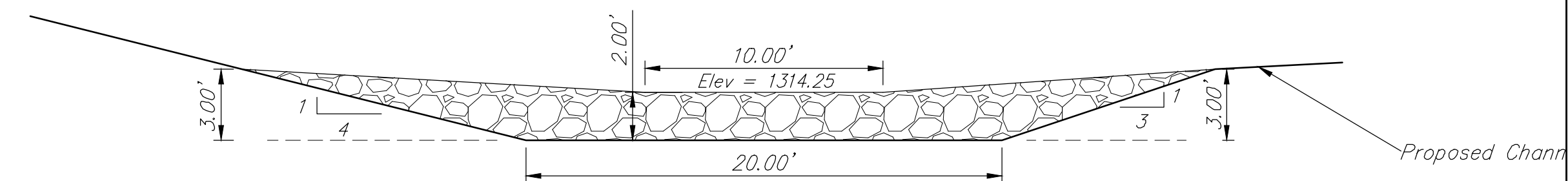


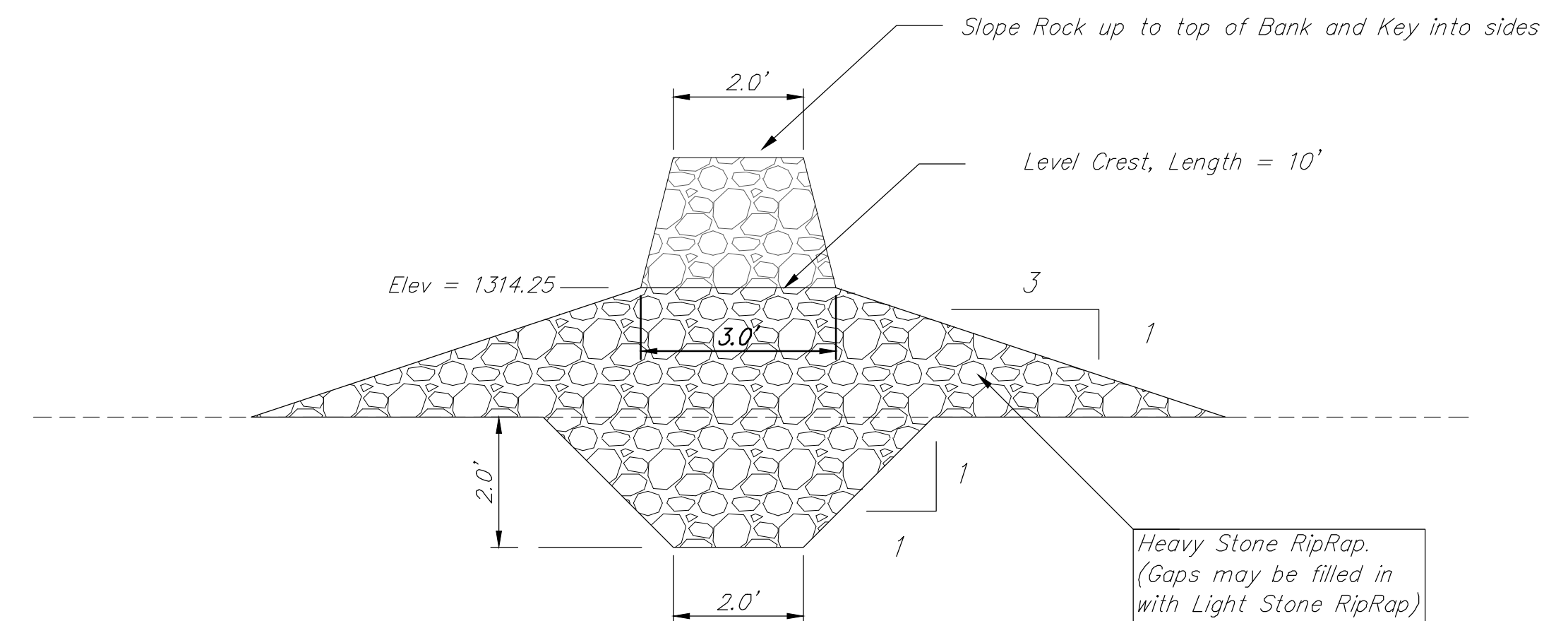
PROPOSED WEIR  
SEE DETAILS SHEET 23

CONSTRUCT ROCK CHECK DAM.  
SEE DETAILS THIS SHEET. ALL  
COSTS SUBSIDIARY TO BID ITEM  
FOR 'ROCK CHECK DAM'.

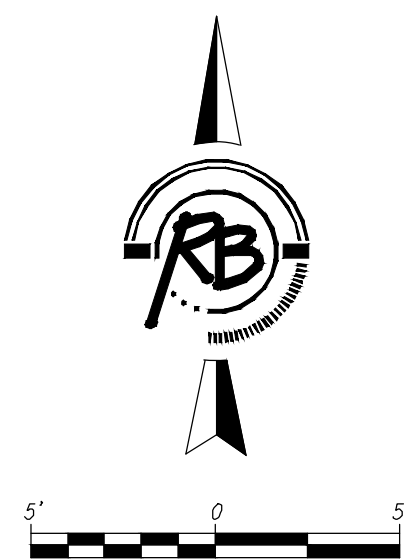
SEE SHEET 24 FOR  
CHANNEL GRADING DETAILS



PROPOSED ROCK CHECK DAM PROFILE



PROPOSED ROCK CHECK DAM  
SECTION VIEW



<b>Bellechase 3rd Addition Rock Check Dam</b>		DATE Nov. 1, 2012
<b>RUGGLES &amp; BOHM</b>		DESIGN EJG
		DRAWN EJG
<small>ENGINEERING   SURVEYING   LANDSCAPE ARCHITECTURE   GOVERNMENT</small> <small>824 NORTH MAIN WICHITA, KANSAS 67208 P (316) 264-8008 F (316) 264-4821</small> <small>WWW.RUGGLESANDBOHM.COM</small>		REVIEW
PROJECT NUMBER 472-85078	RIS JOB NO. 4057E	DWG. SCALE
DRAWING FILE Engg Base {Rock Check Dam}		SHEET 26 of 45