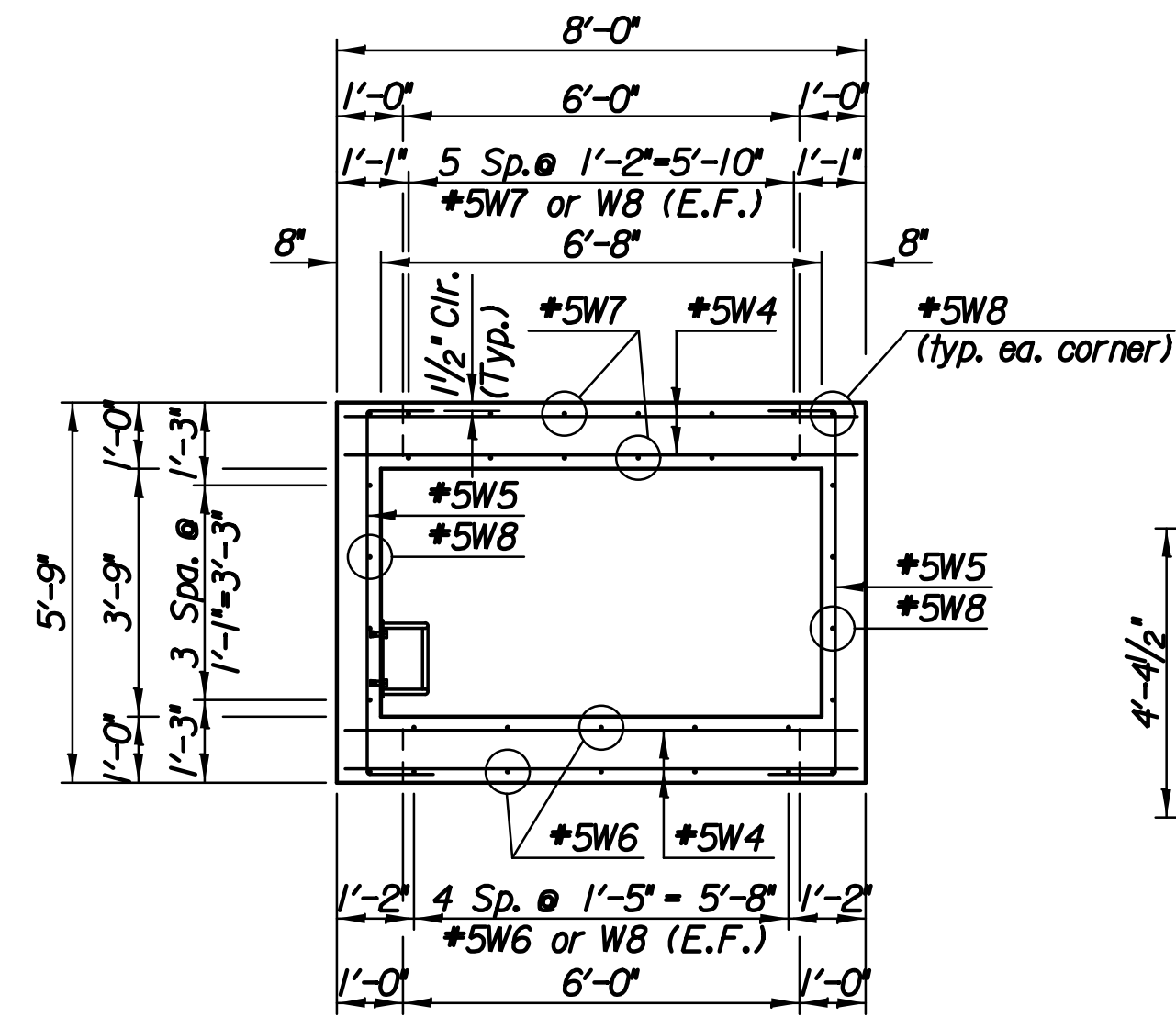
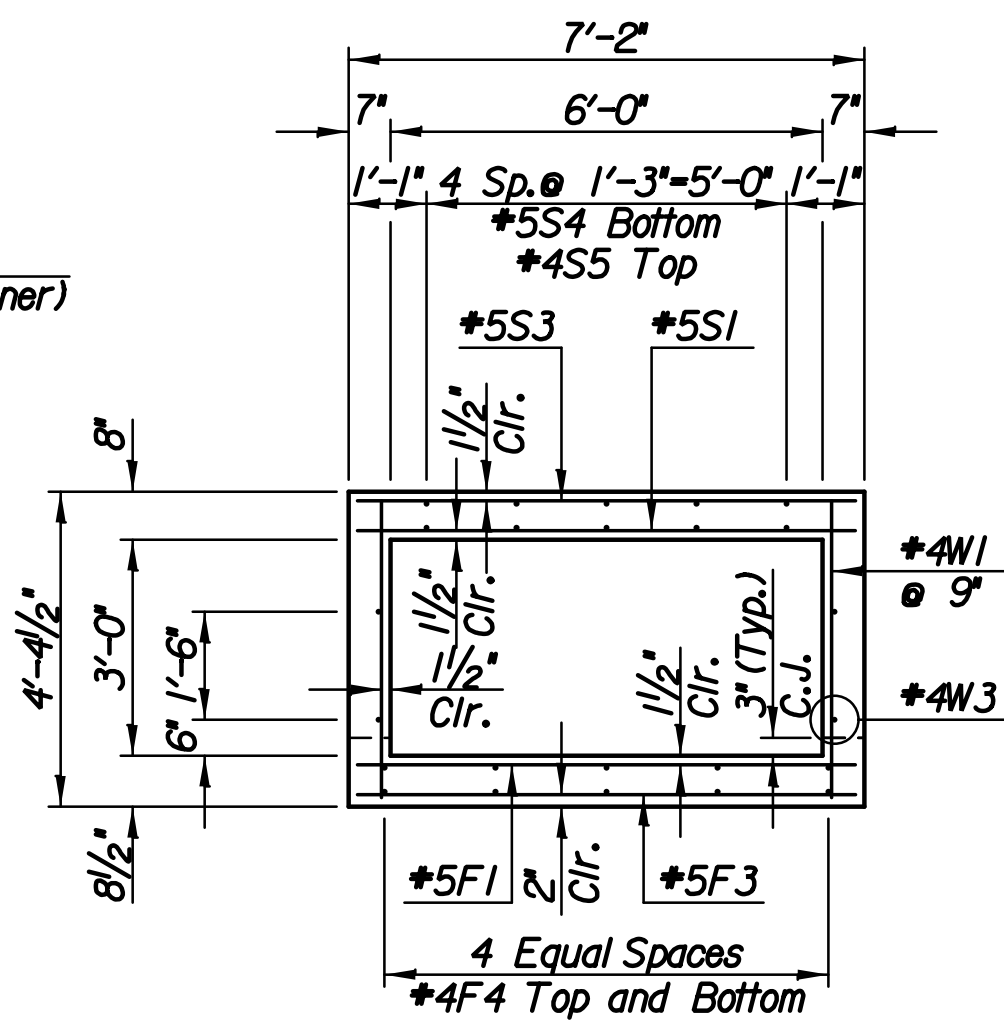


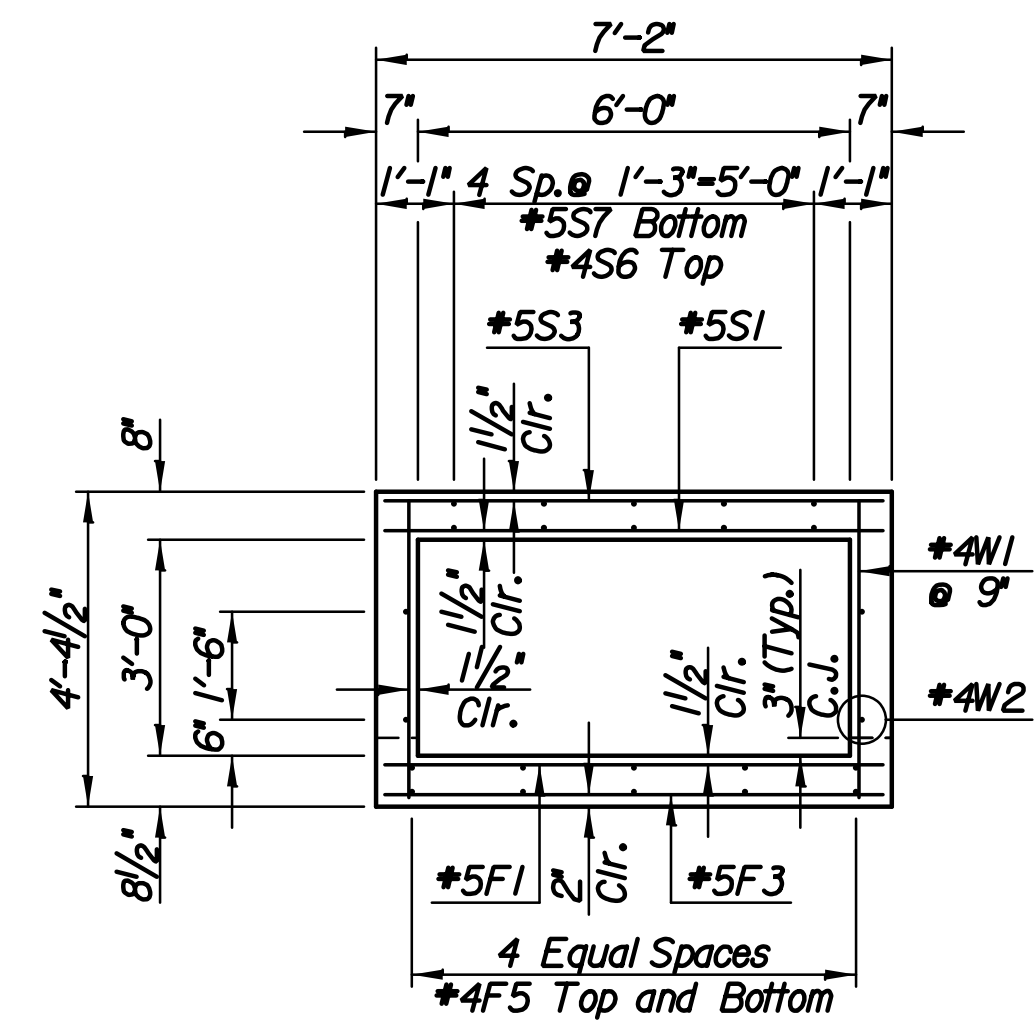
SECTION A-A
NOTE: Field cut #5W8 to provide 2" end clearance as applicable.



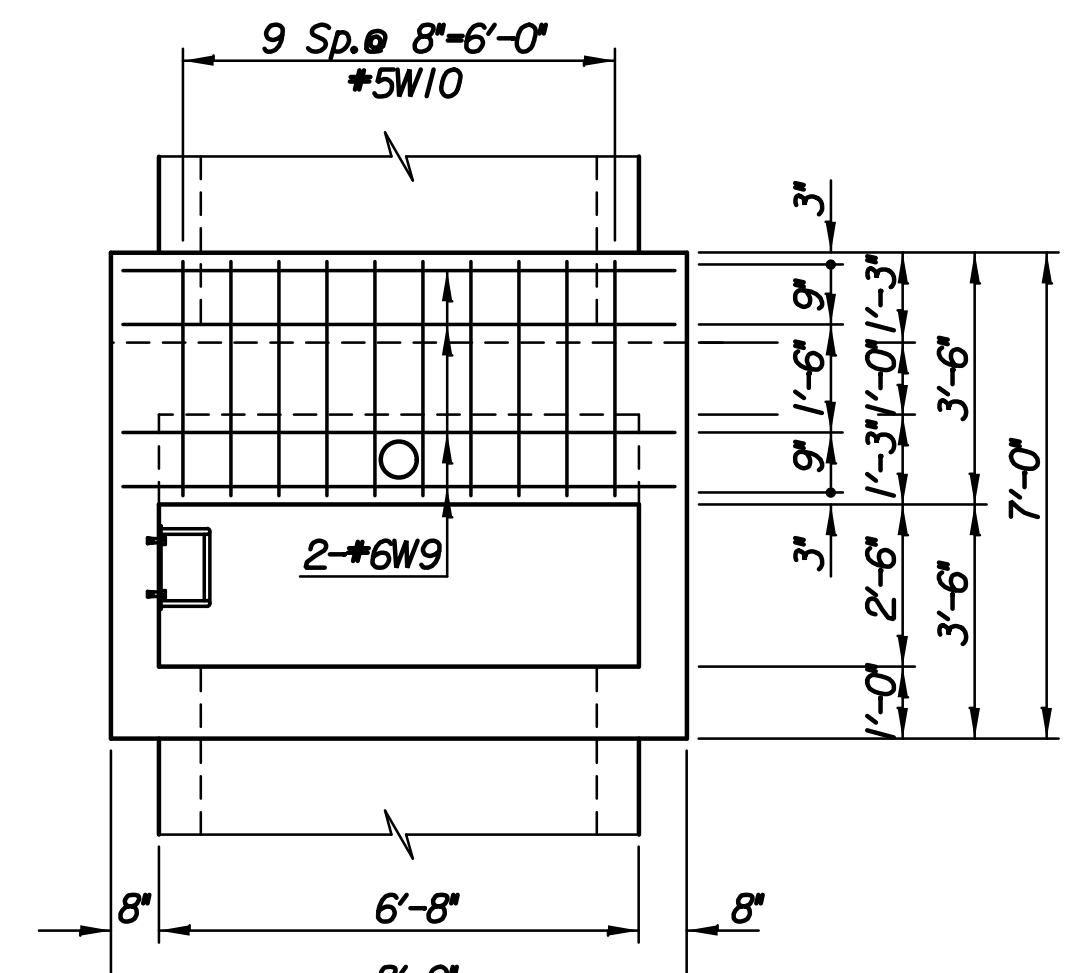
SECTION B-B



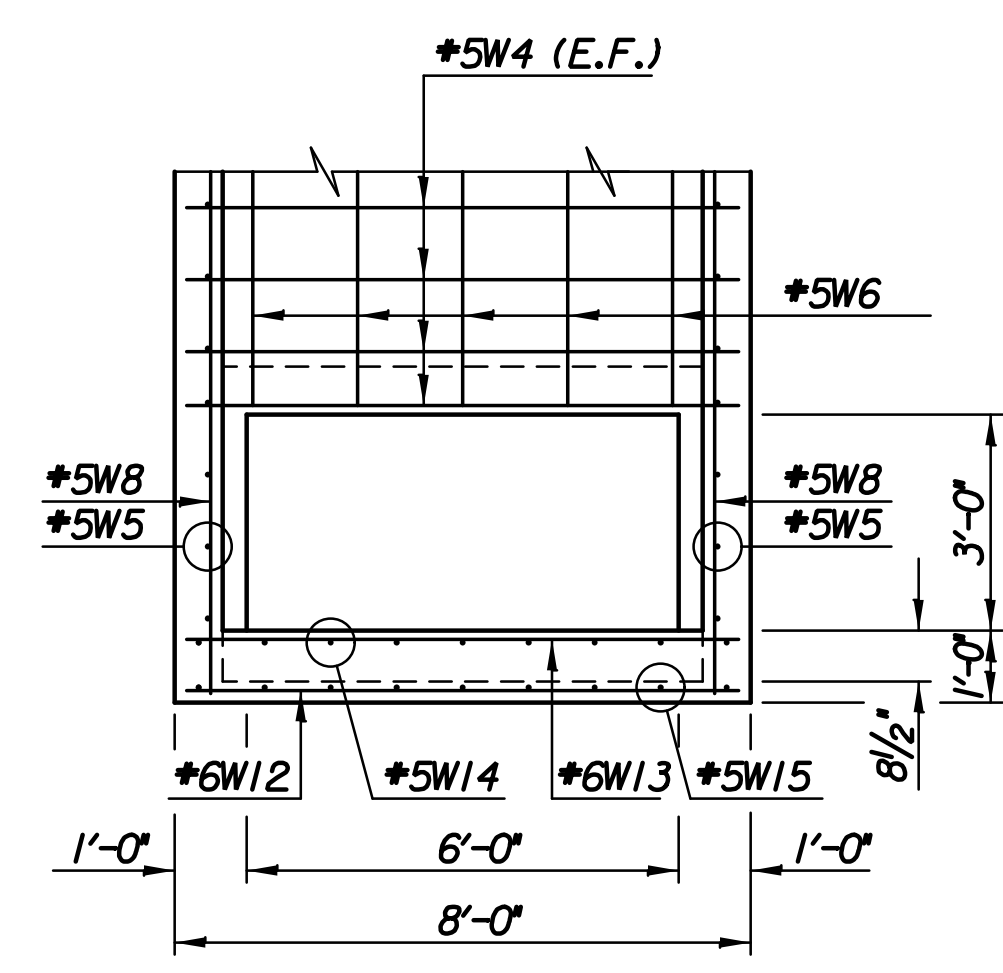
SECTION C-C



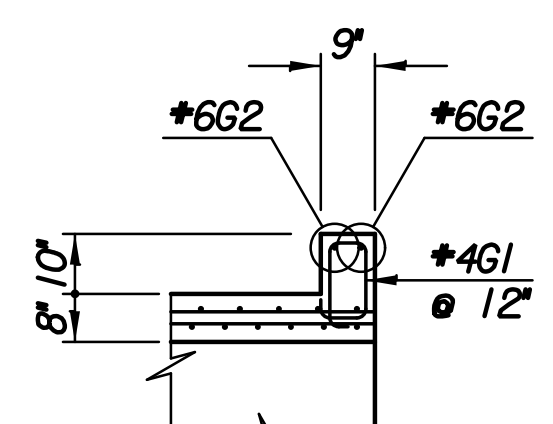
SECTION D-D



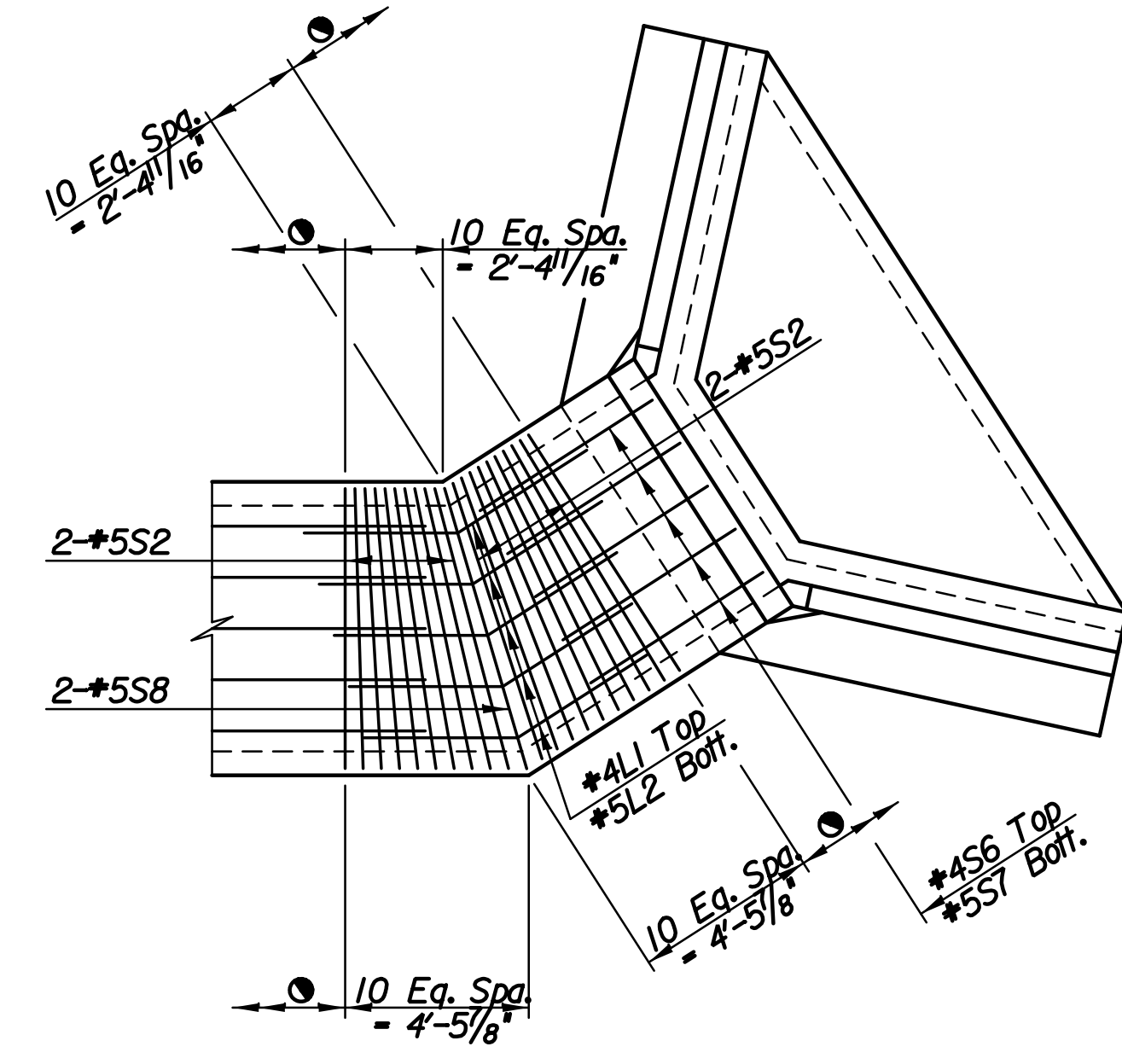
SLUICE GATE TOP SLAB PLAN



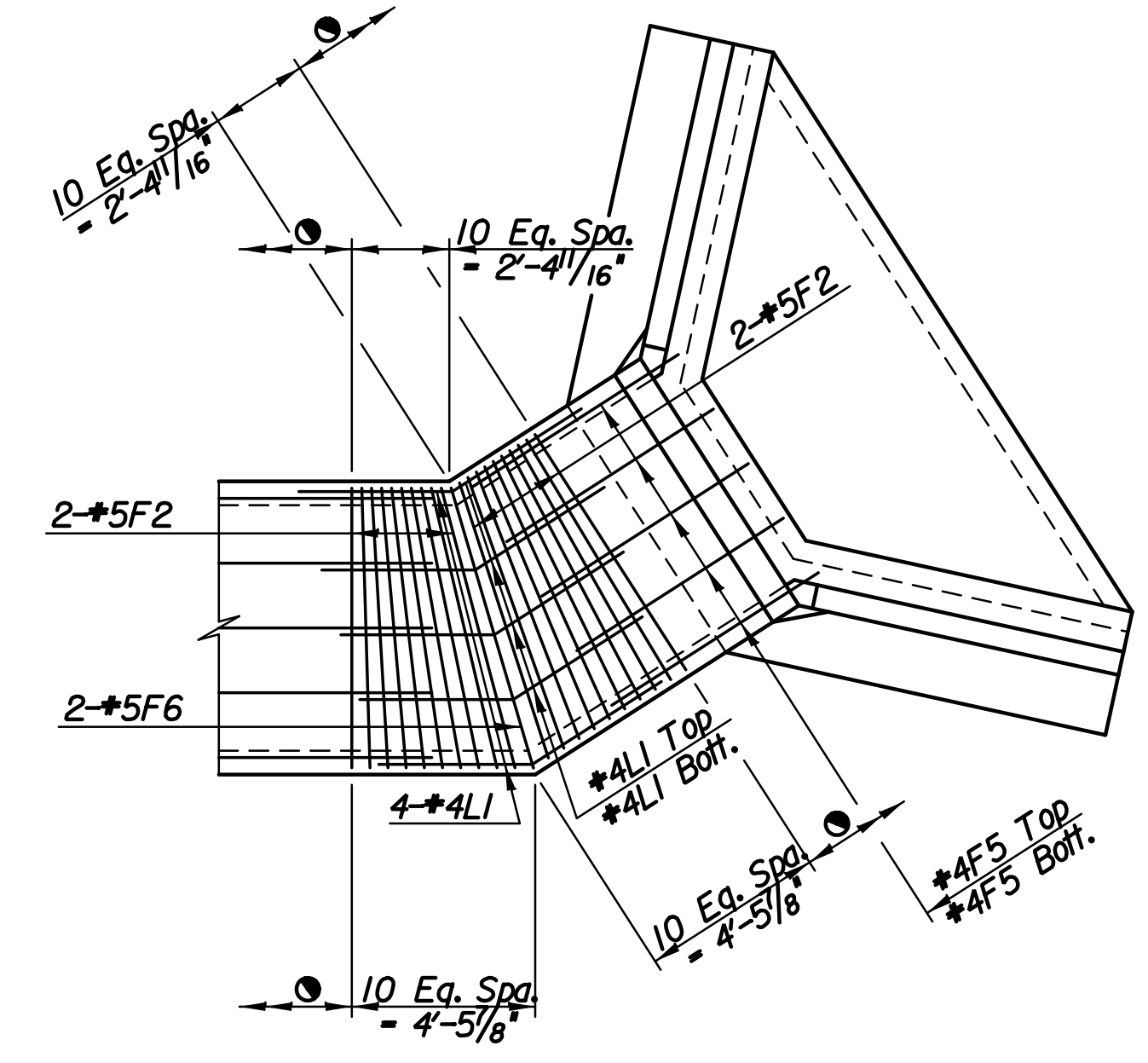
SECTION E-E



DETAIL A




DETAIL B



DETAIL C

See Sheet No. 68 and 70 for Reinforcing.

Plotted By: svb Date: 8/5/2013 7:26:23 AM
FILE: I:\2008\0820\Bridg\Final\08207 - 6x3 Sluice Sections.dgn

No.	Revision	By	Date
37TH STREET NORTH CHANNEL "A"			
6'x3' R.C.B. SECTIONS AND SLUICE GATE DETAILS			
GARY JANZEN, P.E.-CITY ENGINEER CITY OF WICHITA PROJECT NO. 472-84692			
 PEC PROFESSIONAL ENGINEERING CONSULTANTS, P.A. 303 SOUTH TOPEKA WICHITA, KS 67202 316-262-2691 www.pec1.com			
Designed by	RAS	Job No.	08207
Drawn by	WLL	Date	August, 2013
			Sht. 69 of 193