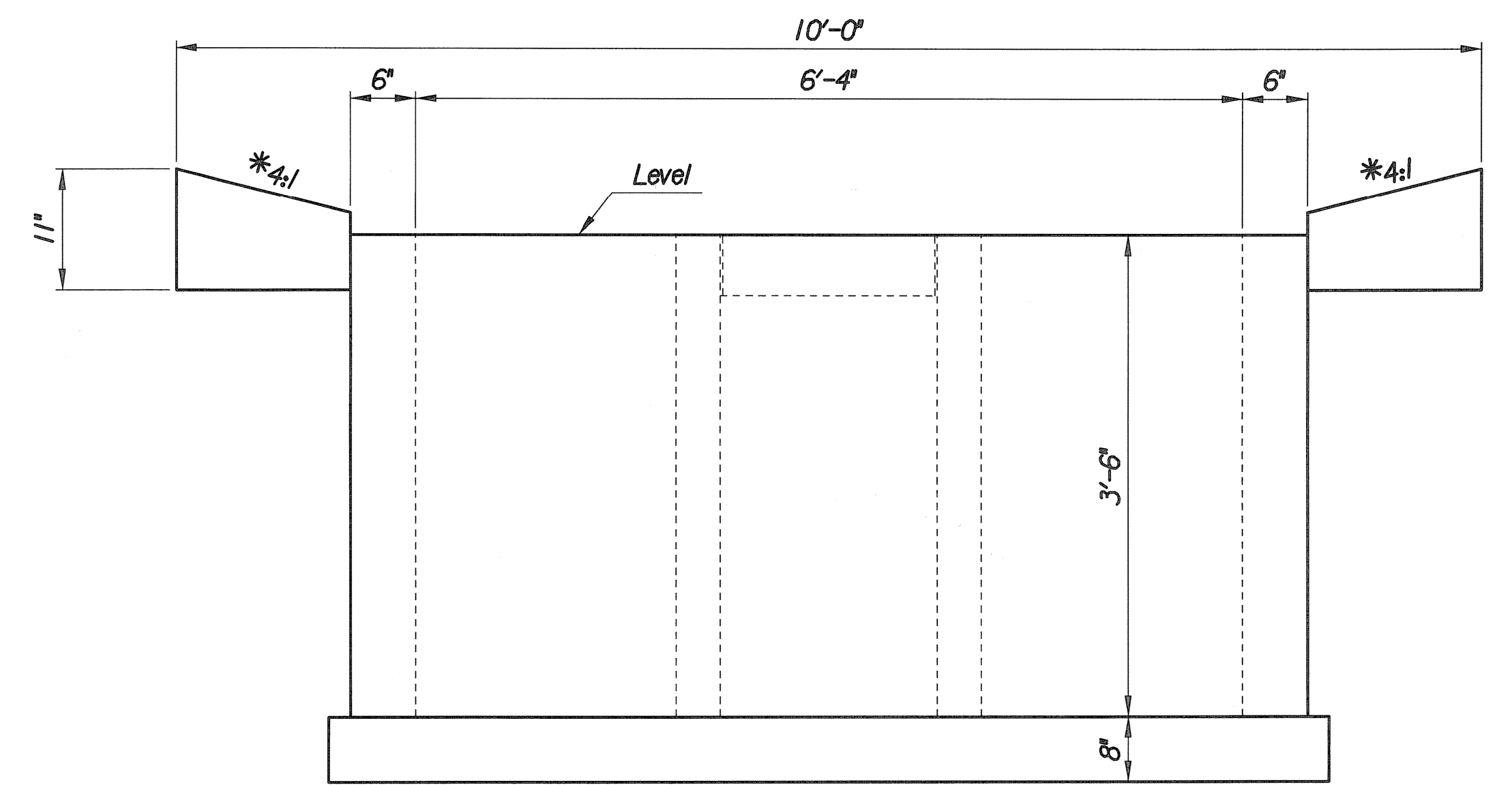
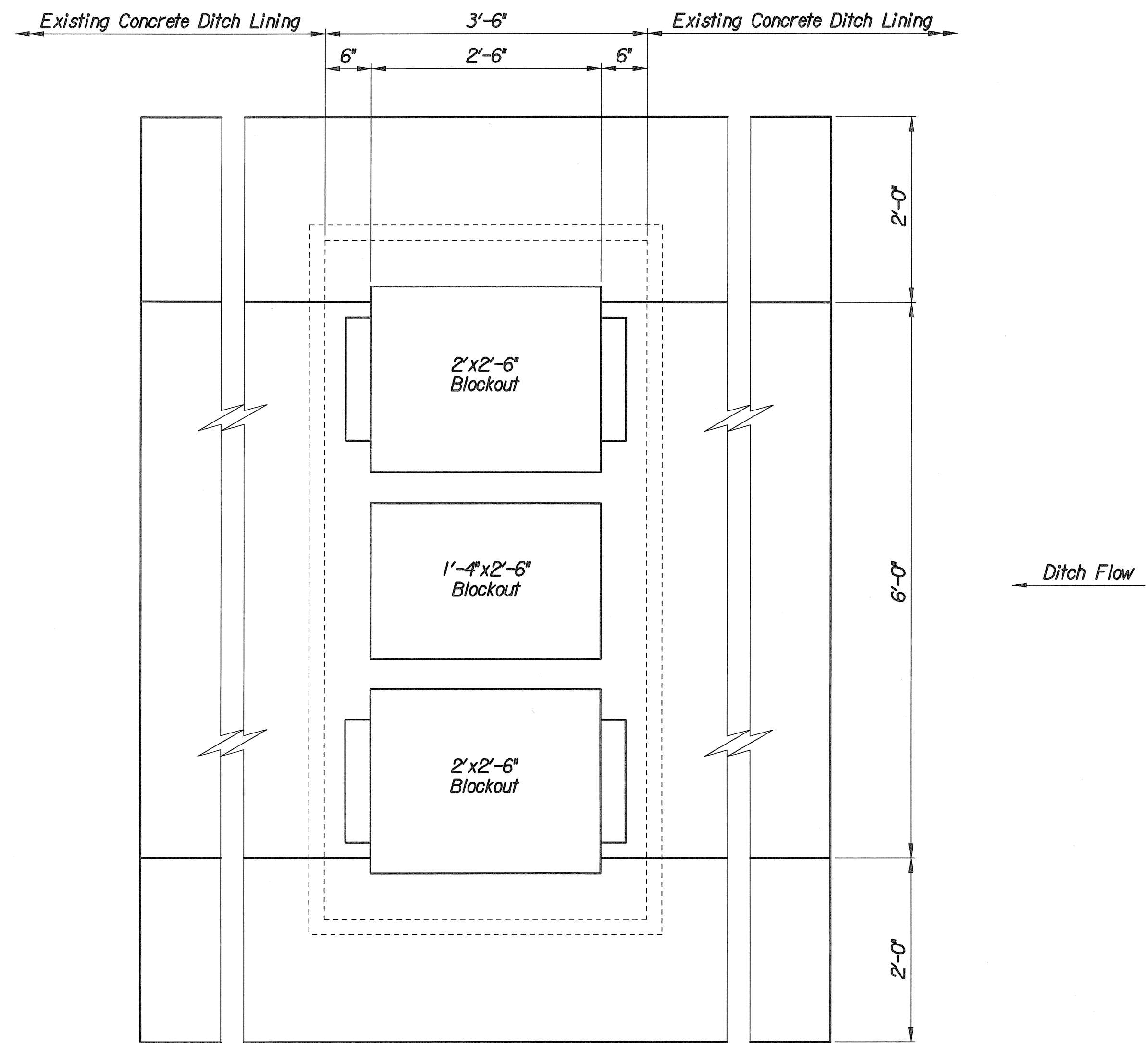


ELEVATION



SECTION

* Match existing slope of concrete ditch lining



PLAN

NOTES

See KDOT Standard RD631 for details
 Pipe Grate option may be used in place of Structural Steel Cover Plate

Plotted By: mib Date: 12/17/2013 4:15:56 PM
 FILE: I:\2012\12568\SedimentTank.dgn

	MAIZE ROAD PAVING AND DRAINAGE IMPROVEMENTS LOT 1, NEWMARKET V ADDITION			
	SEDIMENT TANK			
	GARY JANZEN, P.E. - CITY ENGINEER CITY OF WICHITA PROJECT NO. 472-B4607			
	PROFESSIONAL ENGINEERING CONSULTANTS, P.A. 303 SOUTH TOPEKA WICHITA, KS 67202 316-262-2691 www.pec1.com			
Designed by Drawn by	MLB WLL	Job No. Date	12568 September 2013	Sht. 37 of 65