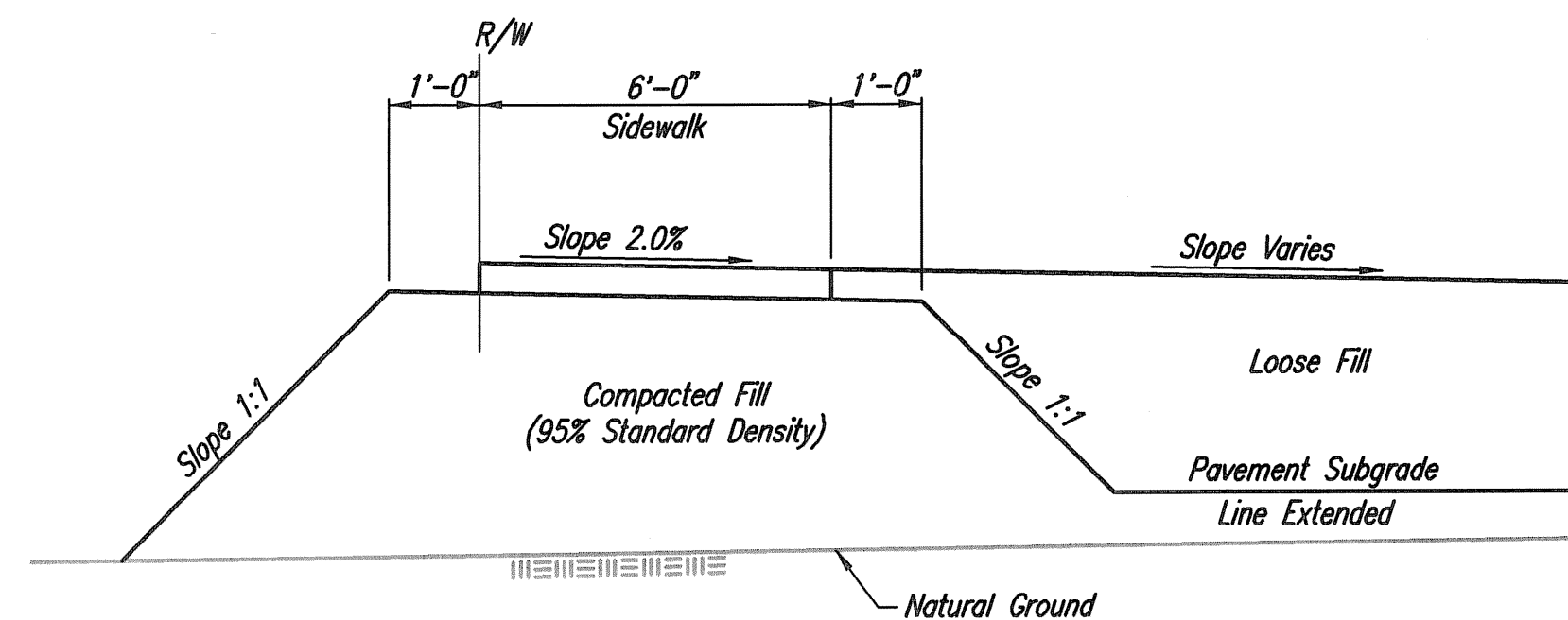


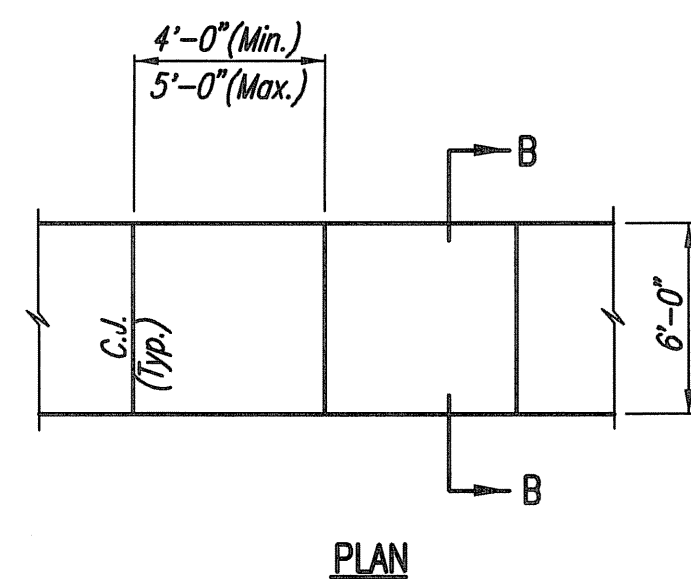
**TYPICAL SIDEWALK SECTION**

**SIDEWALK NOTES**

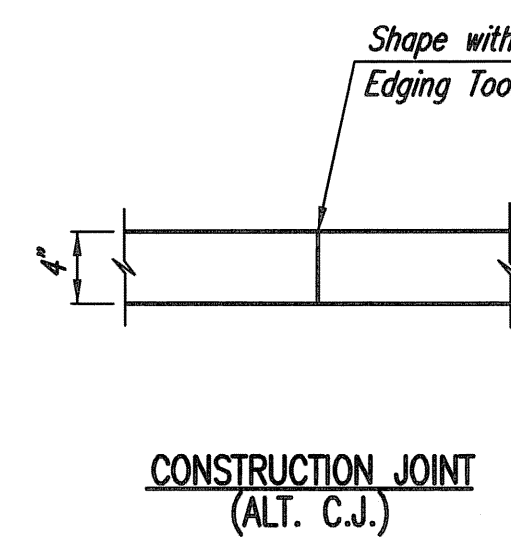
1. THE CONTRACTOR SHALL COMPACT 6" SUBGRADE UNDER ALL SIDEWALKS AS DETAILED ON THIS SHEET. ALL SIDEWALK COMPACTION SHALL BE CONSIDERED SUBSIDIARY TO "4" SIDEWALK PAVEMENT".



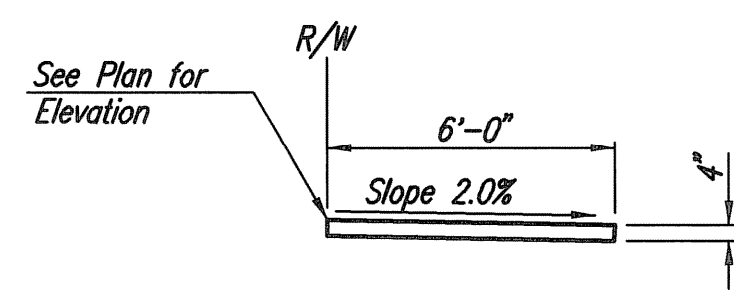
**COMPACTED FILL DETAIL WHERE SIDEWALK IS CONSTRUCTED**  
(See Plan Sheets for Locations)



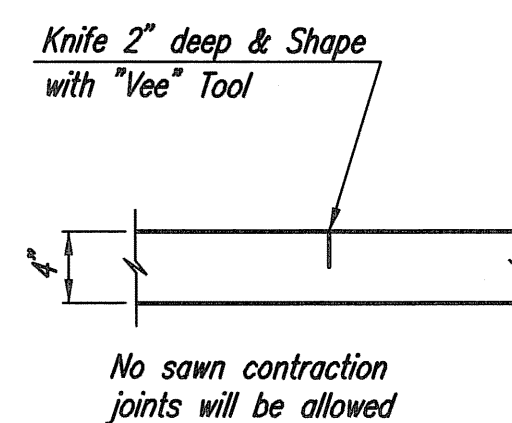
**PLAN**



**CONSTRUCTION JOINT (ALT. C.J.)**

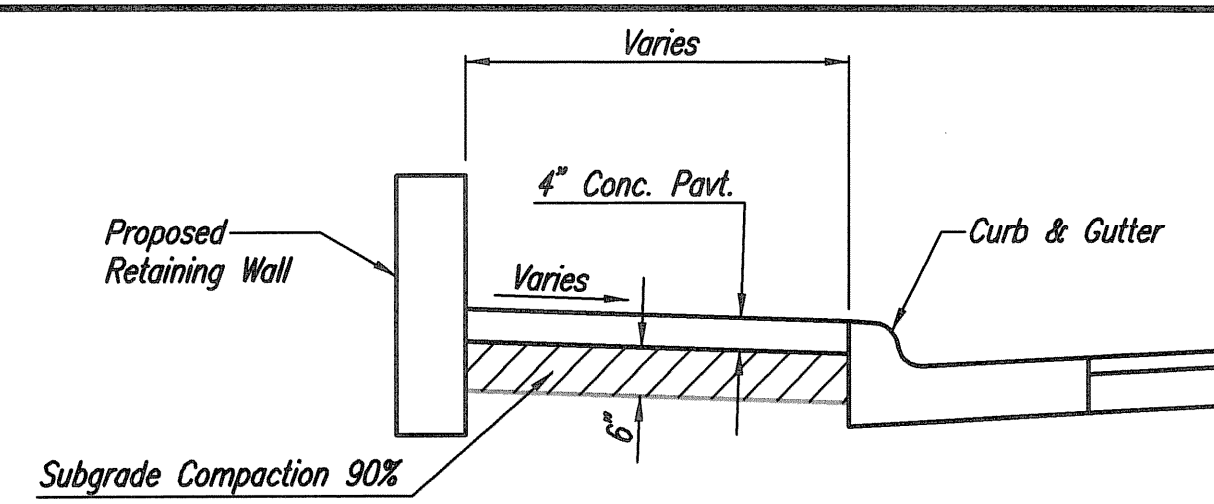


**SECTION B-B**



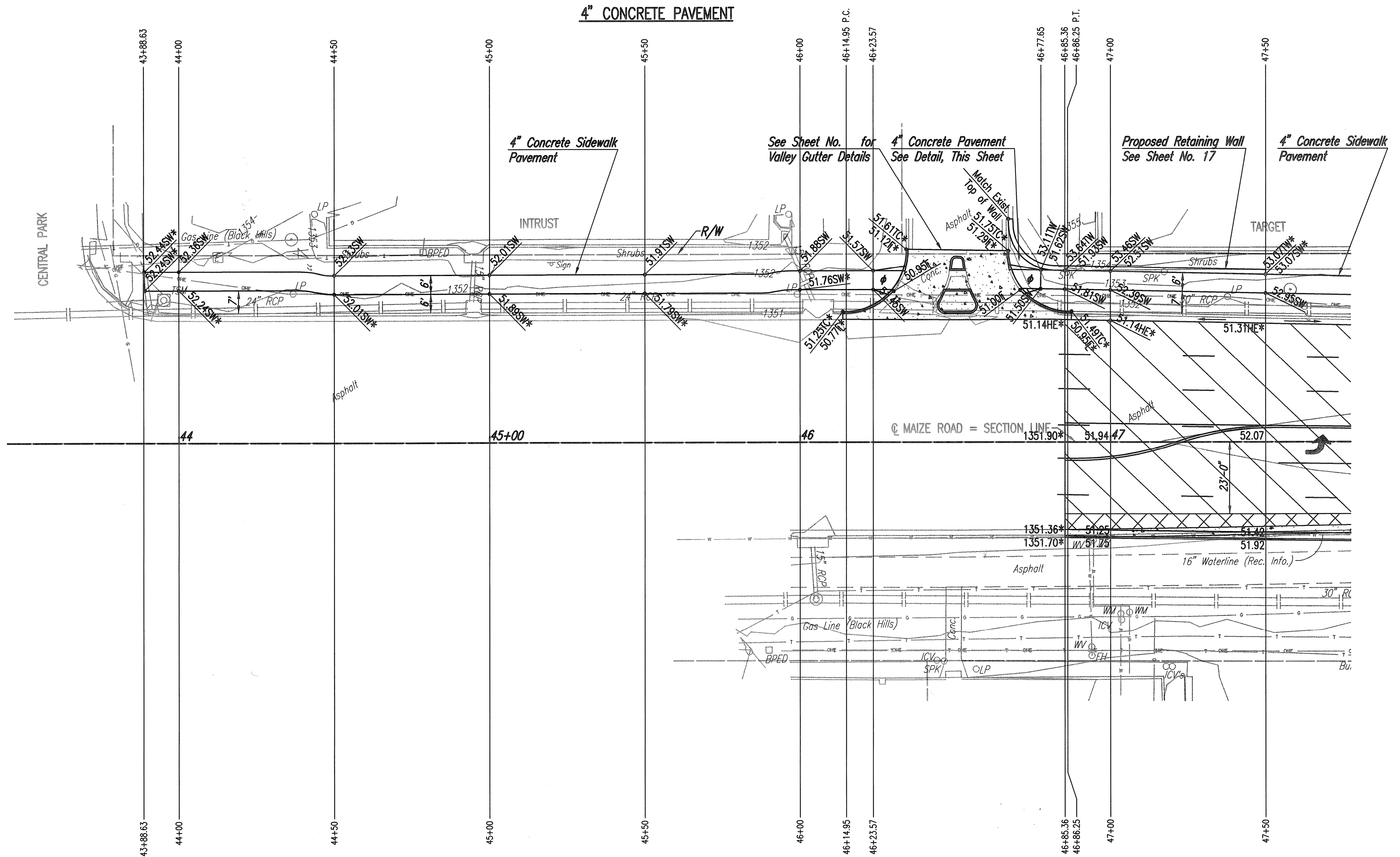
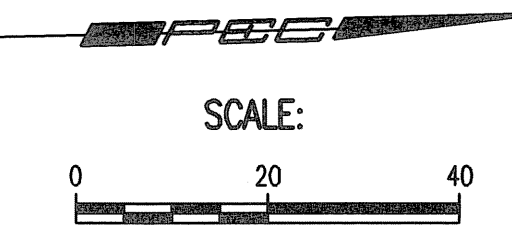
**CONSTRUCTION JOINT (C.J.)**

**4" WALK DETAILS**



**4" CONCRETE PAVEMENT**

**LEGEND**  
  
 MILLING AND OVERLAY  
 CONCRETE DRIVEWAY REMOVAL



\* Match Existing  
 Construct Sidewalk Ramp, See Sheet No. 18.

Saved 12-09-2013 11:42:33 AM by BJS  
 Plot Scale 1:20 12-17-2013 1:08:31 PM by BJS  
 C:\2013\12568\000\_001\12568-001-000\_SIDEWALK PLAN-MAIZE RD

		MAIZE ROAD PAVING AND DRAINAGE IMPROVEMENTS LOT 1, BLOCK 1 NEWMARKET V ADDITION <b>SIDEWALK-MAIZE ROAD</b> STA. 43+88.63 TO STA. 46+24.63 GARY JANZEN, P.E.-CITY ENGINEER CITY OF WICHITA PROJECT NO. 472-84607	
		PROFESSIONAL ENGINEERING CONSULTANTS, P.A. 303 SOUTH TOPEKA WICHITA, KS 67202 316-262-2691 www.pec1.com	
Designed by CSB Drawn by BJS	Job No. 35-12568-000/001 Date September 2013	Revision No. _____ Date _____	Sheet 6 of 65