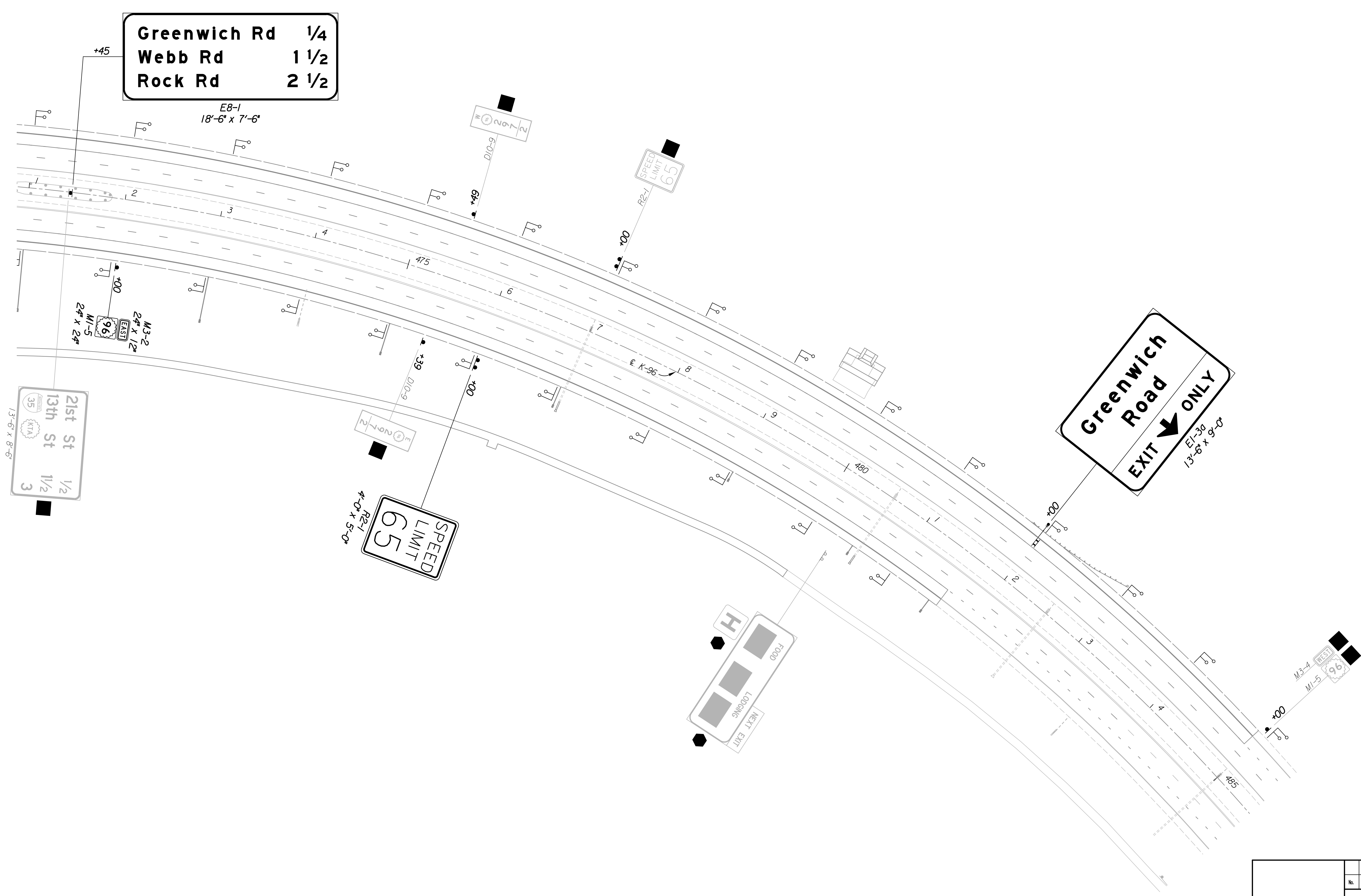
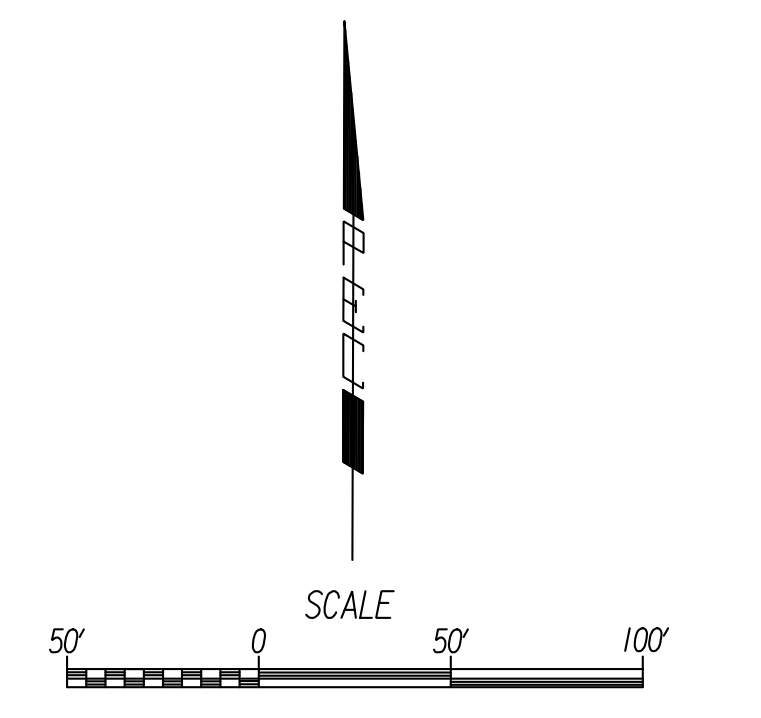


Greenwich Rd 1/4
 Webb Rd 1 1/2
 Rock Rd 2 1/2



Plotted By: cp
 Date: 12/31/2013 10:12:34 AM
 FILE: I:\2009\0952\Signing\0952I-Signing-47I.dgn

No.	Revision	By	Date
K-96 AND GREENWICH ROAD			
SIGNING PLAN			
STA. 471+00 TO STA. 485+00			
GARY JANZEN, P.E.-CITY ENGINEER CITY OF WICHITA-PROJECT NO. 472-85066			
		PROFESSIONAL ENGINEERING CONSULTANTS, P.A. 303 SOUTH TOPEKA WICHITA, KS 67202 316-262-2691 www.pec1.com	
Designed by	JPS	Job No.	09521
Drawn by	DRP	Date	Jan., 2014
			Sht. 174 of 388