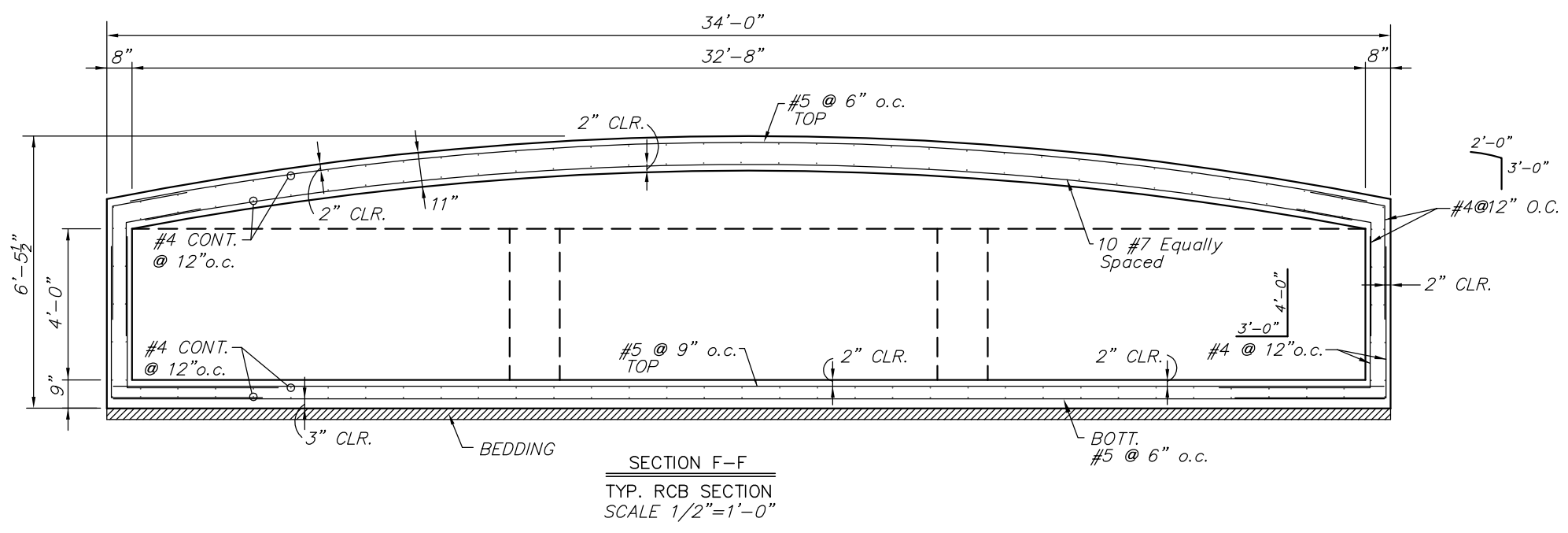
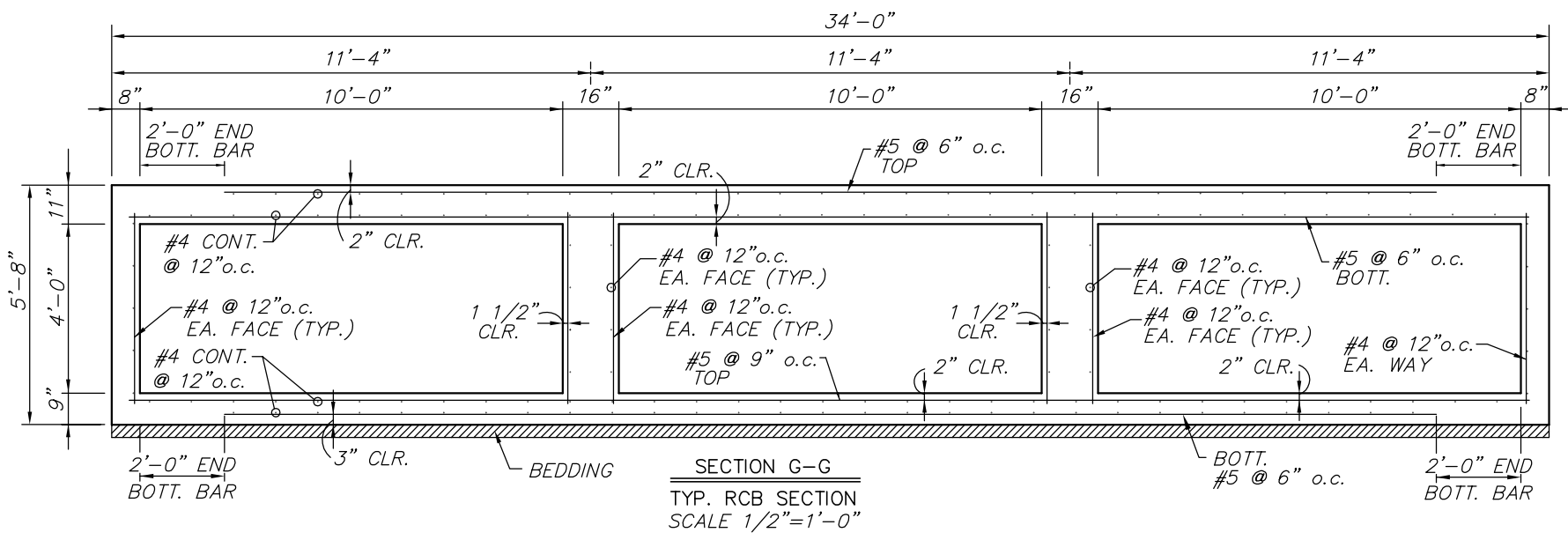


Hand Compaction Equip.  
Only in this area

REINFORCING NOT  
SHOWN FOR CLARITY



**GENERAL NOTES**

- LOADING:** HS20-44 AASHTO Specifications, 1996 Edition.
- UNIT STRESSES:** Class AAA (AE) Concrete;  $f'_c = 4,000$  p.s.i.  
Reinforcing Steel;  $f_y = 60,000$  p.s.i.
- CONCRETE:** Class AAA (AE) Concrete shall be used throughout.  
Bevel all exposed edges with a 3/4" triangular moulding.
- REINFORCING:** All reinforcing shall conform to ASTM A615,  
Grade 60. All dimensions relative to reinforcing steel shall  
be to centerline of bar unless otherwise noted.
- EXCAVATION:** Excavation for culvert shall not be paid for directly  
but shall be subsidiary to box construction.

H:\CIVIL\02121\Dwg\Rcb\02121DD1.DWG 03/15/2003 10:49:00 AM CST

 <b>MKEC</b> ENGINEERING CONSULTANTS 411 N. WEBB ROAD WICHITA, KS. 67206 316-684-9600	<b>REED'S COVE ADDITION</b>		
	PROJECT NAME		
	<b>R.C.B. SECTIONS</b>		
	SHEET TITLE		
KLA	KLA	DFL	
DESIGN BY:	DRAWN BY:	CHECKED BY:	
JUNE 2003	02121	8 / 36	
DATE	JOB NO.	SHEET/OF	