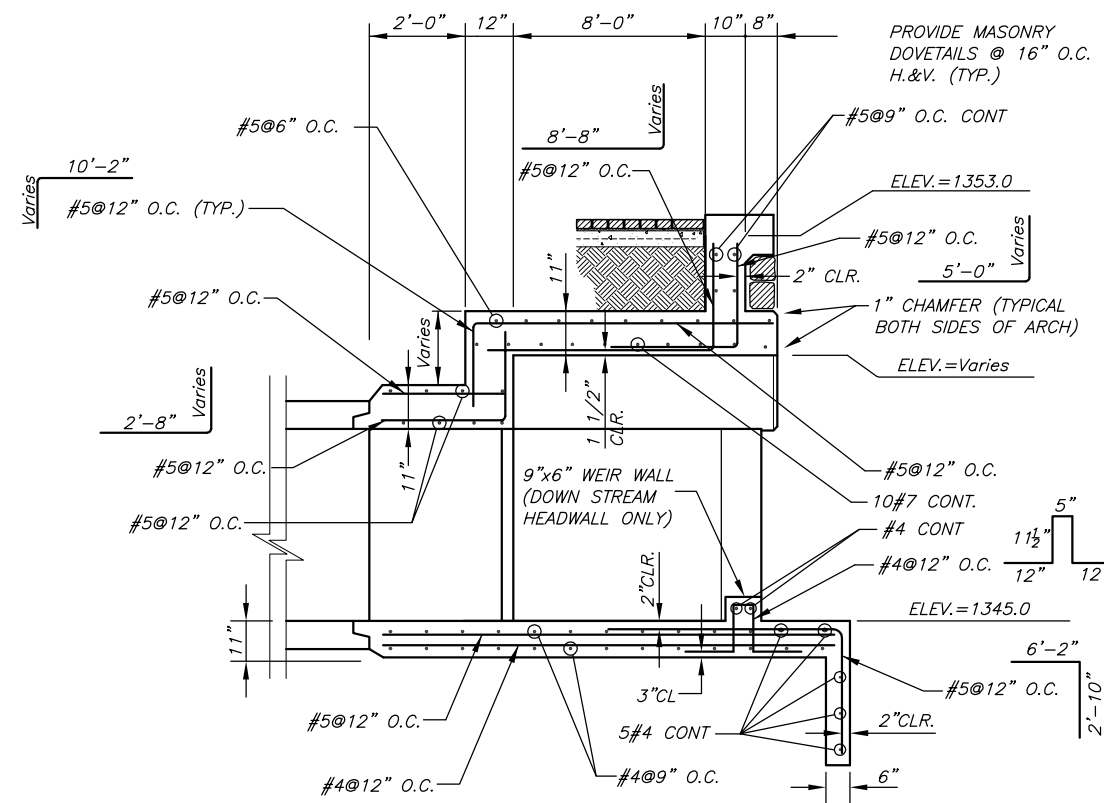
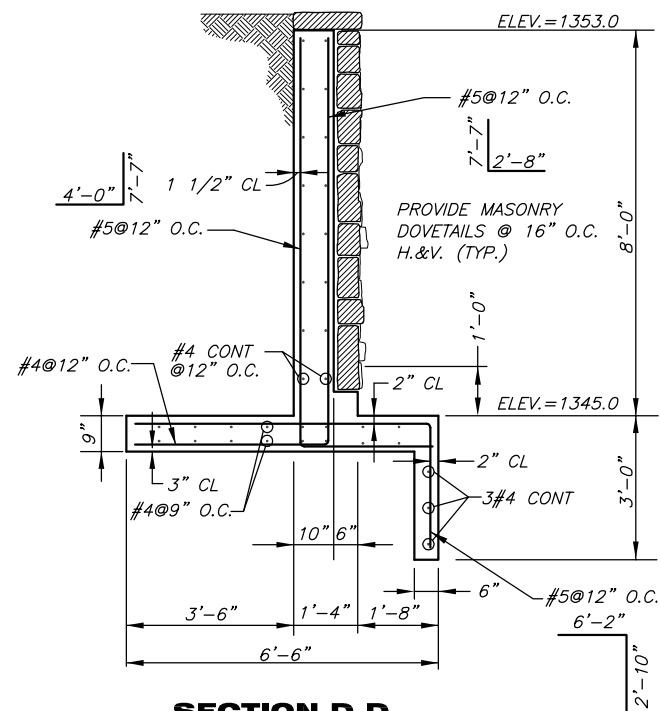


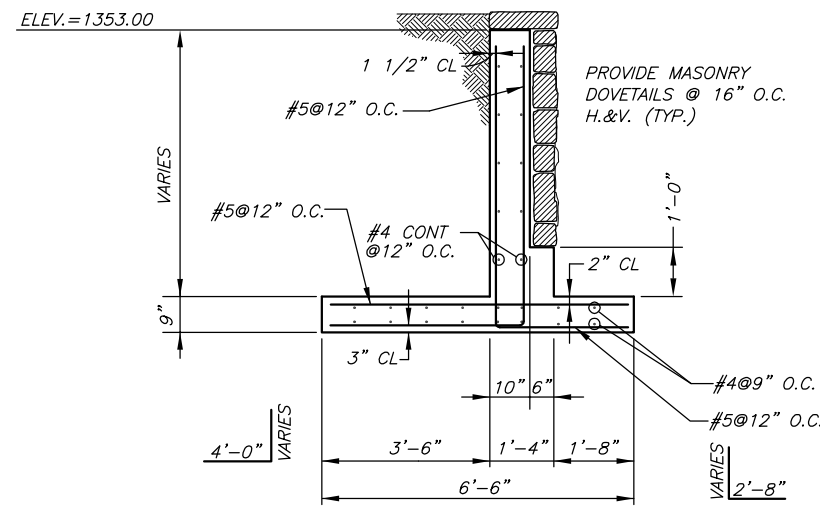
**SECTION A-A**  
SCALE 1/2"=1'-0"



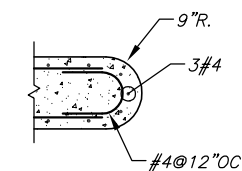
**SECTION B-B**  
SCALE 1/2"=1'-0"



**SECTION D-D**  
SCALE 1/2"=1'-0"



**SECTION E-E**  
SCALE 1/2"=1'-0"



(UPSTREAM ONLY)  
**DETAIL 1**  
NO SCALE

H:\GML\021211.DWG\RCB\021211.DD4



**REED'S COVE ADDITION**  
**STORM WATER SEWER #585**  
PROJECT NAME

**HEADWALL SECTIONS & DETAILS**  
SHEET TITLE

MKEC DESIGN BY.	BDM/NCL DRAWN BY.	KJS CHECKED BY.
JUNE 2003 DATE	02121 JOB NO.	9 / 36 SHEET/OF