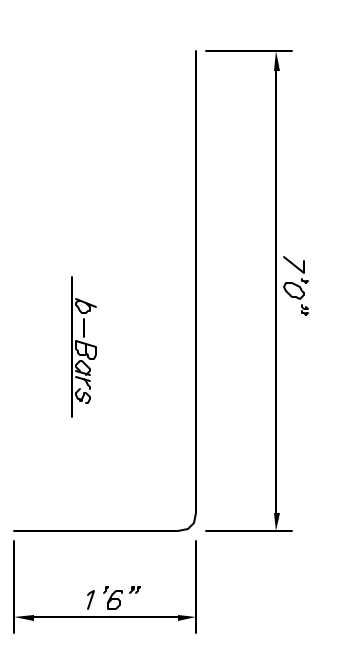
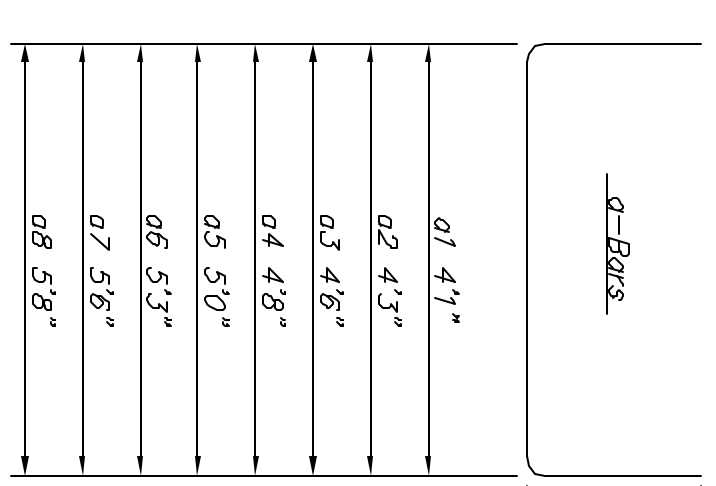
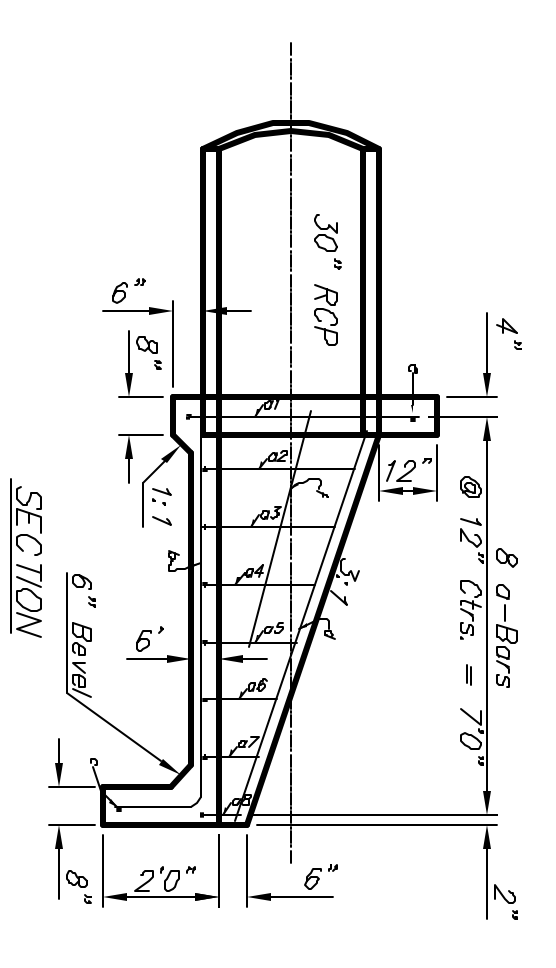
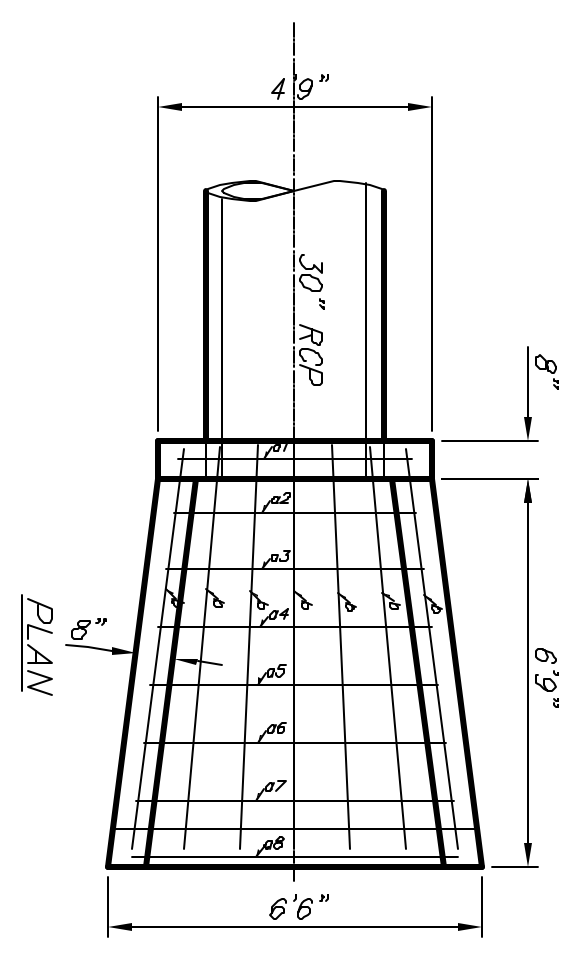


REBAR SCHEDULE

Bar	Shape	No.	Length	Weight
a1	[U]	1	9'5"	6.29
a2	[U]	1	7'7"	5.07
a3	[U]	1	7'2"	4.79
a4	[U]	1	6'9"	4.51
a5	[U]	1	6'4"	4.23
a6	[U]	1	6'1"	4.06
b1	[U]	2	2'9"	3.67
b2	[U]	2	5'10"	7.79
c	[U]	6	6'11"	27.72
d	[U]	1	5'0"	3.37
e	[U]	1	3'10"	2.56
Total Rebar				140 C.Y.
Concrete				74.03 C.Y.

A Deduction in Concrete Quantities Has Been Made for Pipe Openings Through the Headwall
 * Field Bend or Cut Reinforcing as Required for Clearance.
 All Concrete Reinforcement to be #4 Rebar.
 All Rebar to Have Min. of 1 1/2" Conc. Cover

HEADWALL FOR 24" RCP

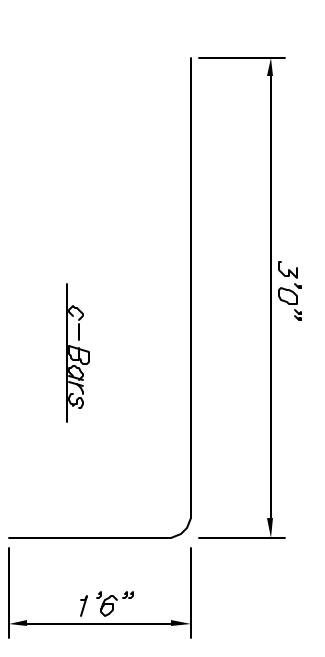
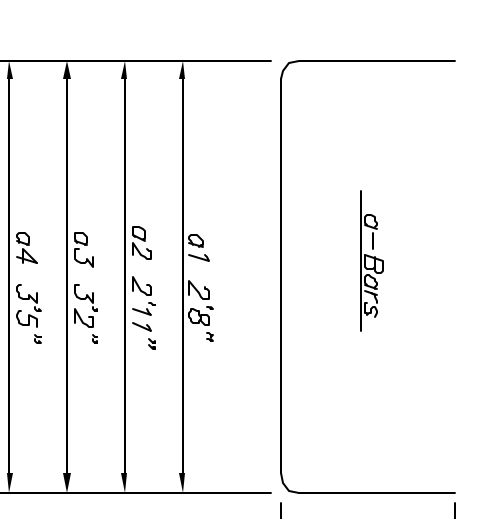
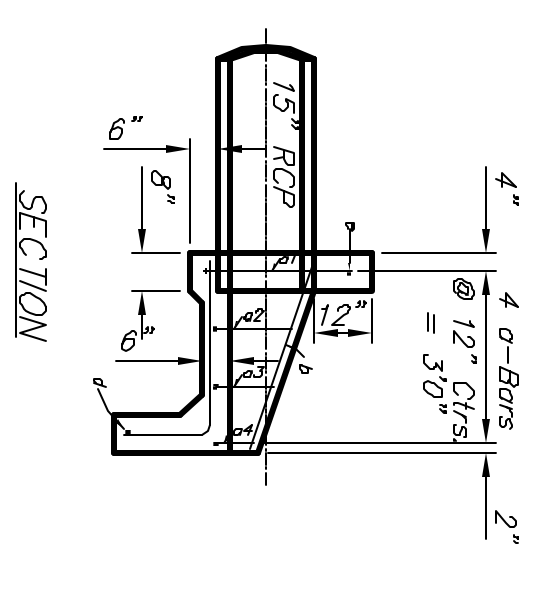
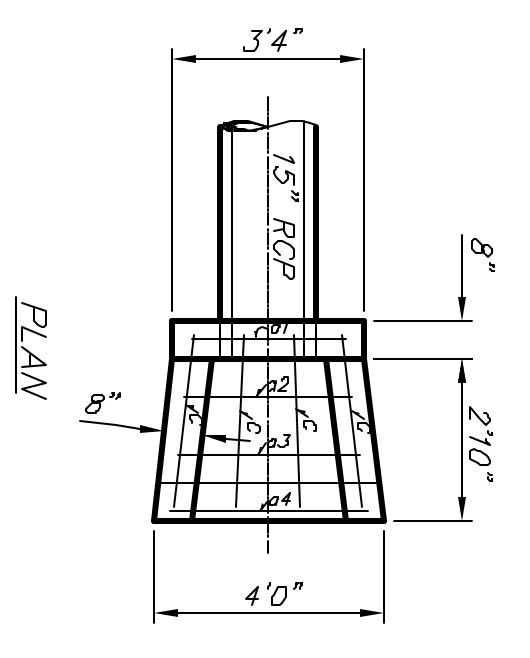


REBAR SCHEDULE

Bar	Shape	No.	Length	Weight
a1	[U]	1	12'1"	8.07
a2	[U]	1	9'5"	6.29
a3	[U]	1	9'0"	6.01
a4	[U]	1	8'6"	5.68
a5	[U]	1	8'2"	5.46
a6	[U]	1	7'9"	5.18
a7	[U]	1	7'4"	4.90
a8	[U]	1	7'0"	4.68
b	[U]	7	8'6"	35.07
c	[U]	1	6'0"	4.01
d	[U]	2	7'6"	10.02
e	[U]	1	4'5"	2.95
f	[U]	2	4'3"	5.68
Total Rebar				104.00 Lbs.
Concrete				219 C.Y.

A Deduction in Concrete Quantities Has Been Made for Pipe Openings Through the Headwall
 * Field Bend or Cut Reinforcing as Required for Clearance.
 All Concrete Reinforcement to be #4 Rebar.
 All Rebar to Have Min. of 1 1/2" Conc. Cover

HEADWALL FOR 30" RCP

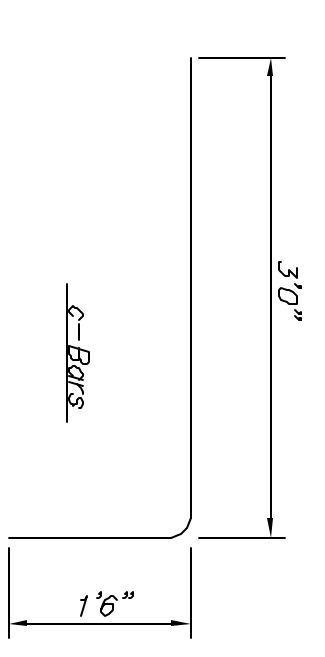


REBAR SCHEDULE

Bar	Shape	No.	Length	Weight
a1	[U]	1	7'6"	5.01
a2	[U]	1	5'7"	3.73
a3	[U]	1	5'2"	3.45
a4	[U]	1	4'9"	3.17
b	[U]	2	4'0"	5.34
c	[U]	4	5'6"	14.70
d	[U]	1	3'5"	2.28
e	[U]	1	2'8"	1.78
Total Rebar				39.46 Lbs.
Concrete				0.87 C.Y.

A Deduction in Concrete Quantities Has Been Made for Pipe Openings Through the Headwall
 * Field Bend or Cut Reinforcing as Required for Clearance.
 All Concrete Reinforcement to be #4 Rebar.
 All Rebar to Have Min. of 1 1/2" Conc. Cover

HEADWALL FOR 15" RCP



- GENERAL NOTES**
- ALL PIECES SHALL BE FLUSH CUT PRIOR TO BEING CAST INTO CONCRETE HEADWALL
 - CONCRETE USED IN HEADWALL CONSTRUCTION SHALL BE SAME AS PER CITY STANDARD PAVING MIX EXCEPT THAT IT SHALL HAVE A MINIMUM 28 DAY COMPRESSIVE STRENGTH OF 4000 PSI.
 - ALL EXPOSED EDGES SHALL BE BEVELED 1/2"
 - REINFORCING STEEL SHALL COMPLY TO A.S.T.M. DESIGNATION A615 GRADE 60. ALL DIMENSIONS RELATIVE TO REINFORCING STEEL ARE TO CENTERLINE OF BAR UNLESS OTHERWISE NOTED.
 - THE "HEAV. CONC. HEADWALL" SHALL BE PAID FOR AT THE UNIT PRICE BID PER EACH IN PLACE WHICH SHALL INCLUDE ALL LABOR, MATERIALS, EXCAVATION, CONCRETE, REINFORCING STEEL, AND ALL OTHER NECESSARY ITEMS TO COMPLETE THE WORK. THE LABOR AND MATERIAL QUANTITIES SHOWN ARE FOR INFORMATION ONLY.

HEADWALL DETAIL

BAUGHMAN COMPANY P.A.
 ENGINEERING, SURVEYING, & PLANNING
 316-282-7271 • 316 ELLIS • WICHITA, KANSAS 67211

DESIGN	BY	DATE	SCALE
CHK	APPROVED		
PROJECT NUMBER 498-83726			
SHEET 16			
OF 23			