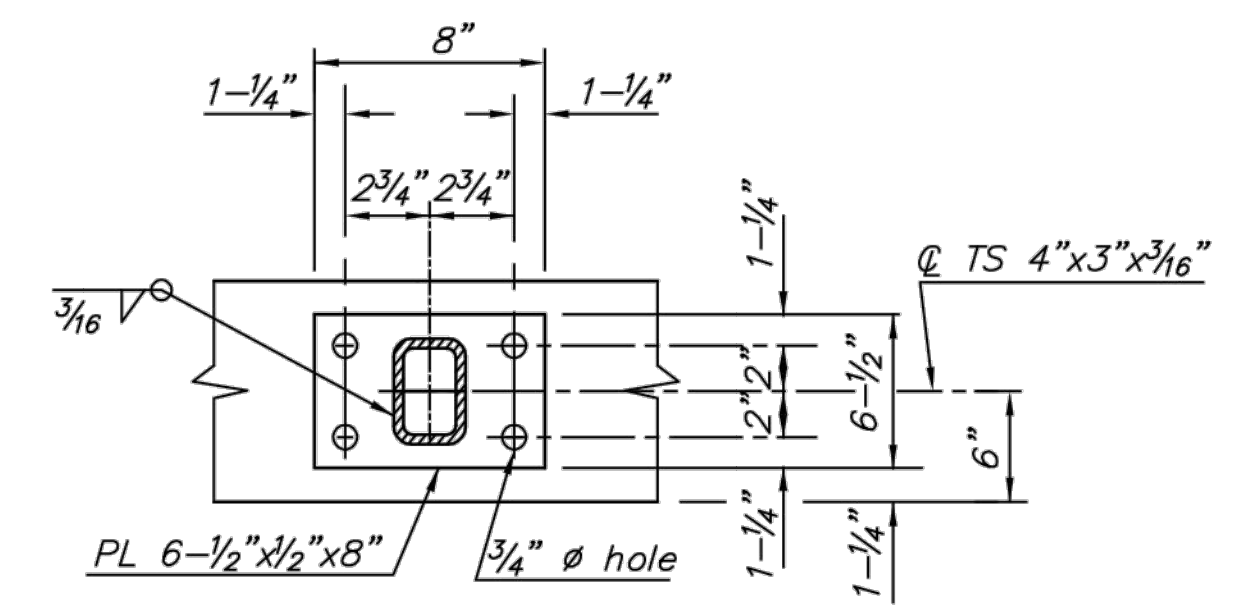
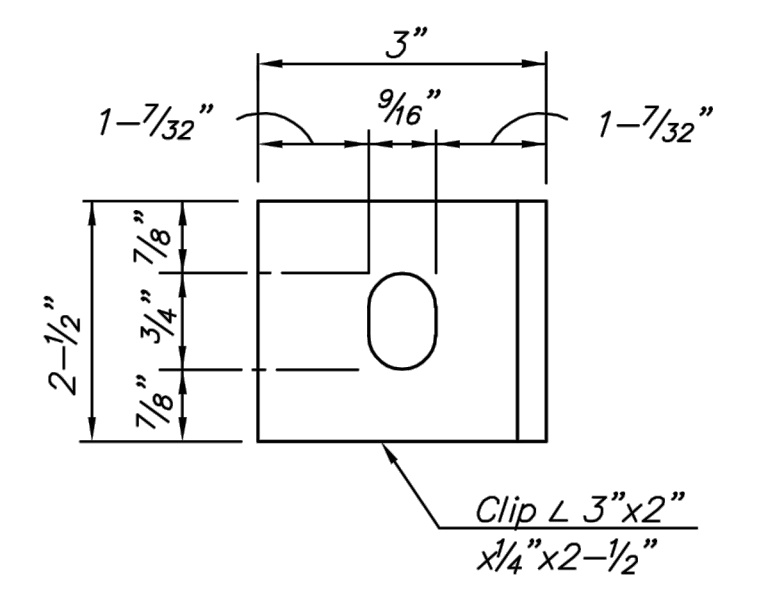


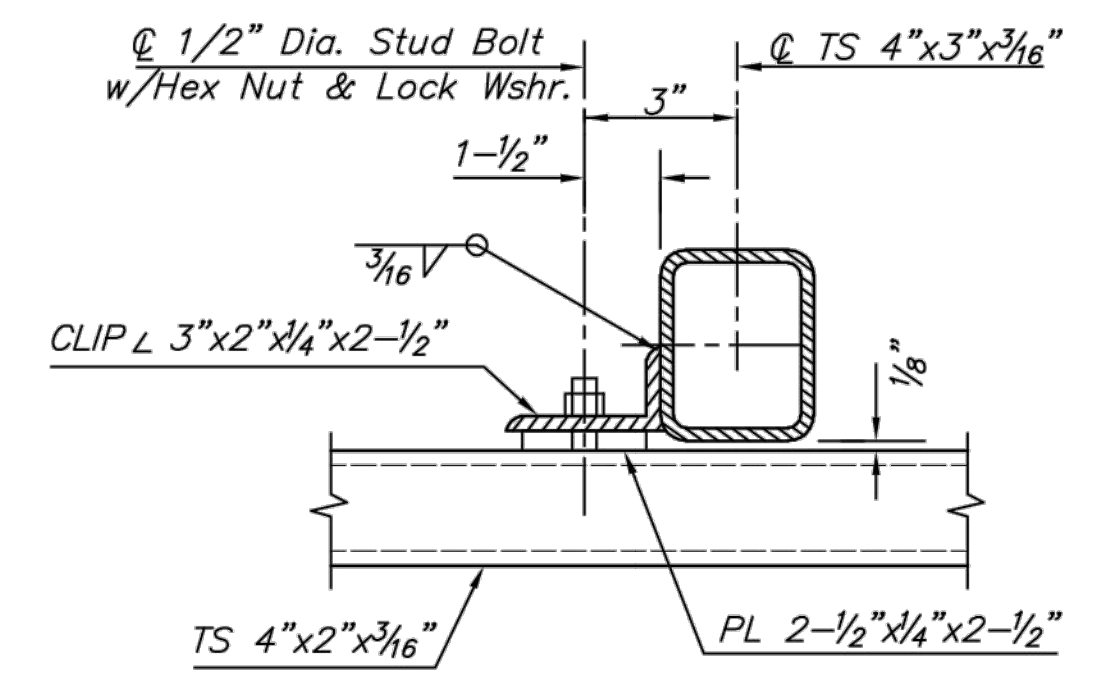
- HANDRAIL NOTES**
1. The rail members shall conform to ASTM Designation A36 or equivalent.
 2. Rail shall be fabricated in lengths to include a minimum of two and a maximum of three panels. Posts shall be set vertical. Shims may be used between concrete and base plates of posts.
 3. All parts of the handrail shall be hot dipped galvanized and powder coated. Galvanizing shall be per City standards (Section 702.8) and ASTM A123. Powder coating shall be black and per ASTM D7803.
 4. The Contractor shall submit color chart for approval by the City. The color shall be "black (carboline C900)".
 5. All materials, equipment and labor necessary for the installation of the handrail shall be subsidiary to the bid item.
 6. The Handrail shall be placed outside of the clear zone for traffic.



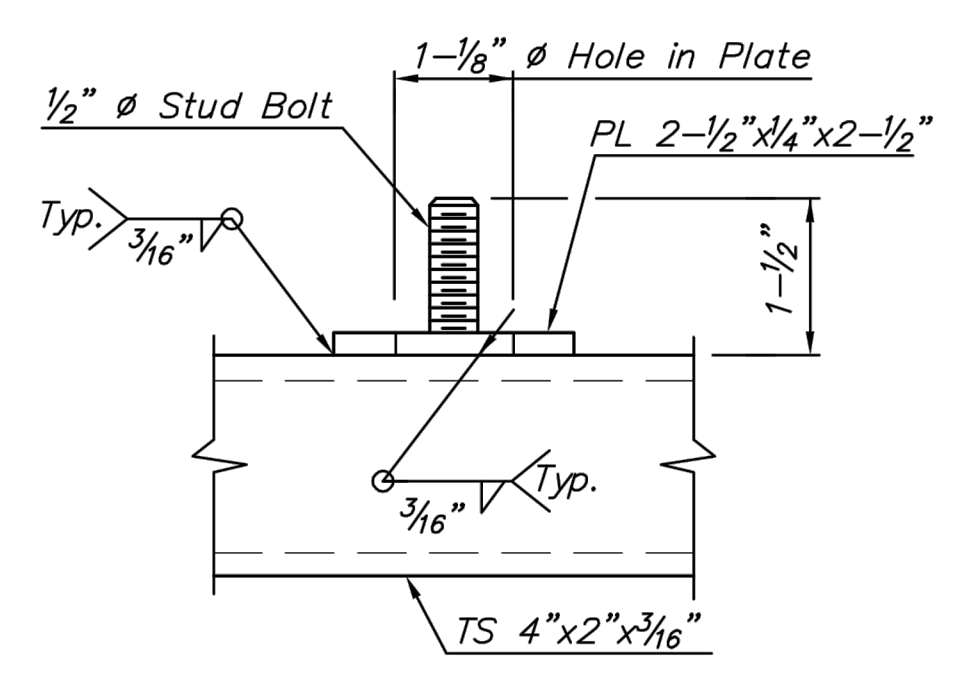
BASE PLATE DETAIL



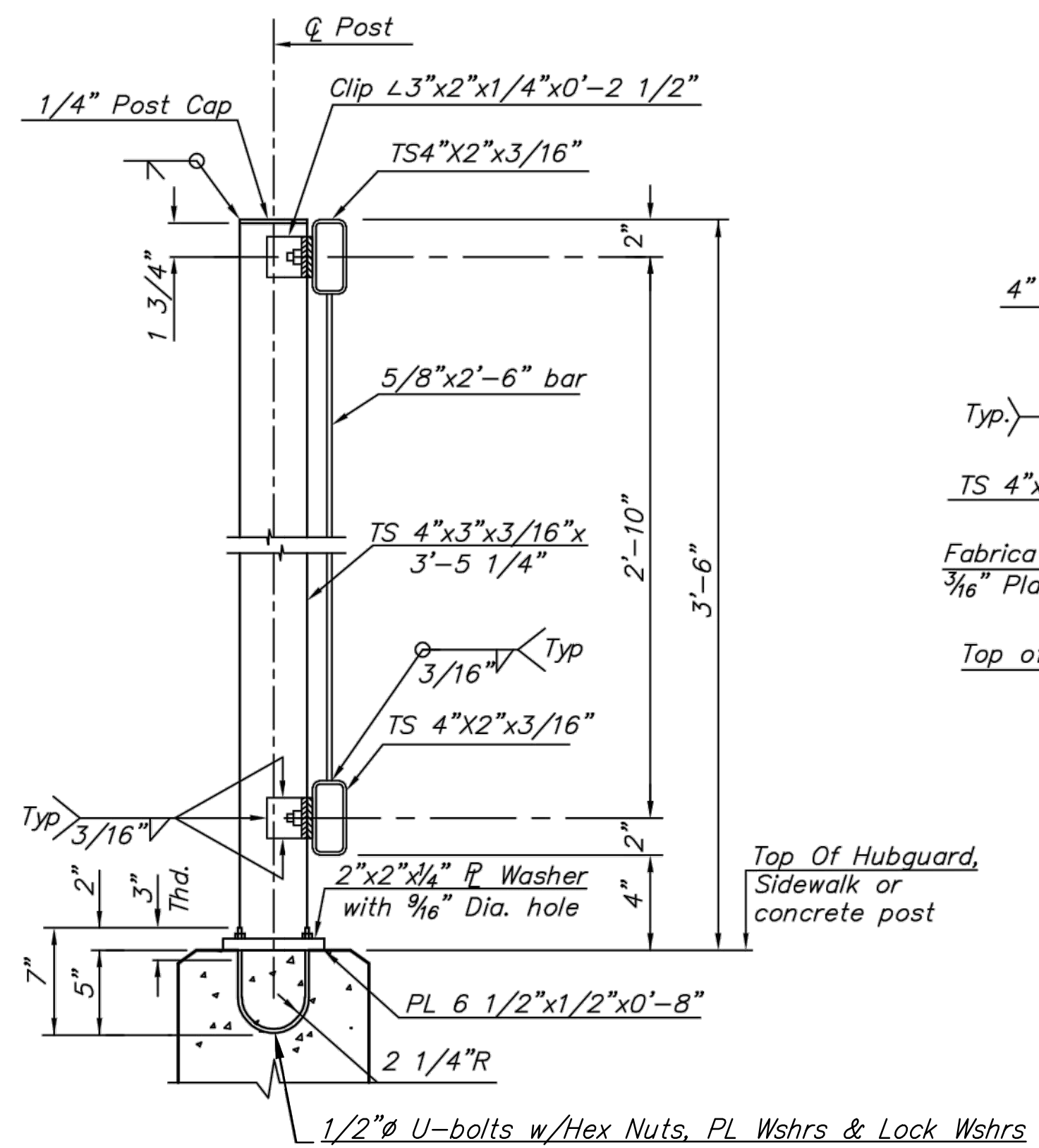
CLIP DETAIL



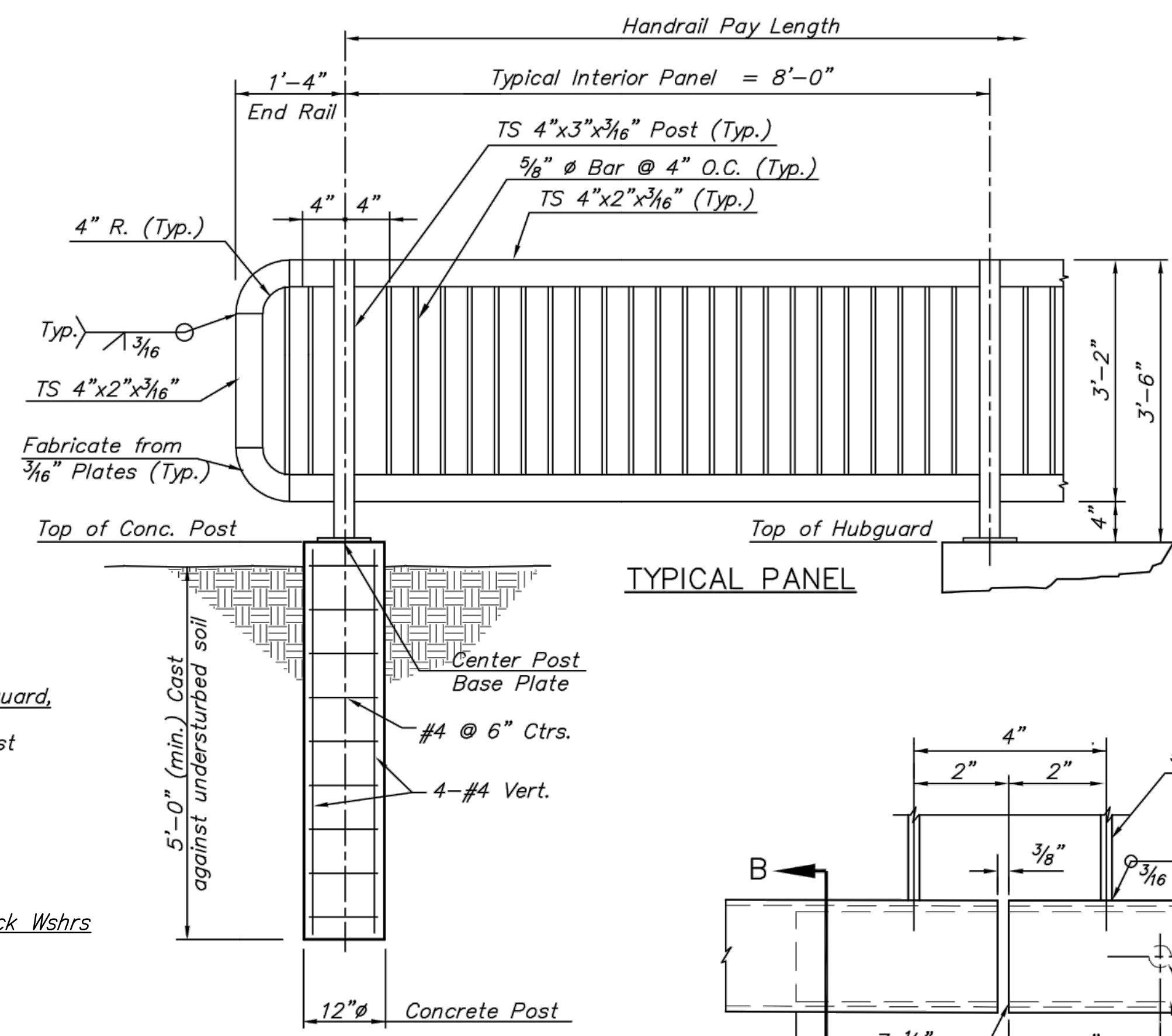
RAIL CONNECTION DETAIL



STUD BOLT DETAIL

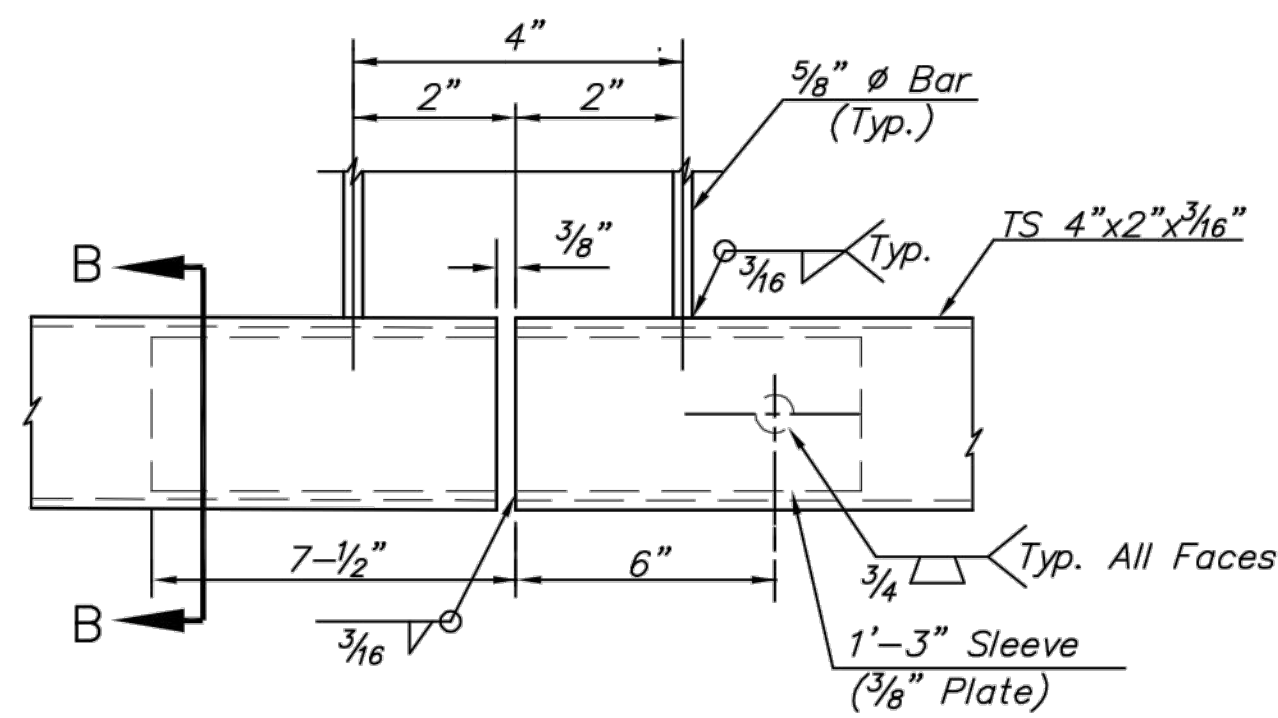


TYPICAL RAIL SECTION
NO SCALE



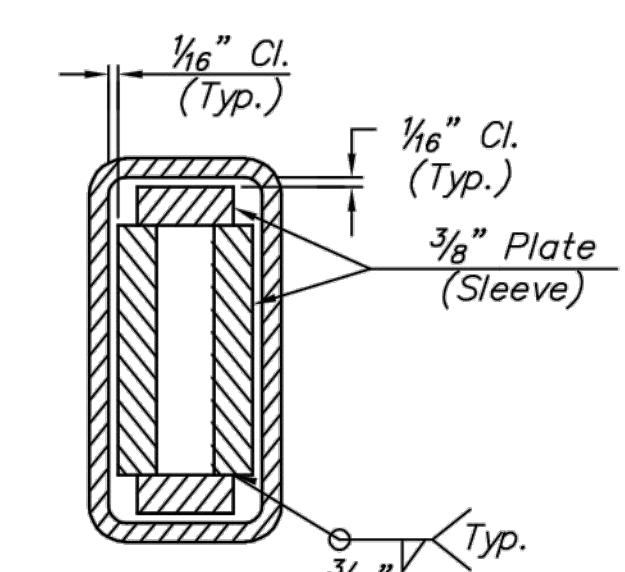
CONCRETE POST DETAIL

Concrete Post shall be Subsidiary to "Handrail (Steel)".
Locate concrete post where specified on plans

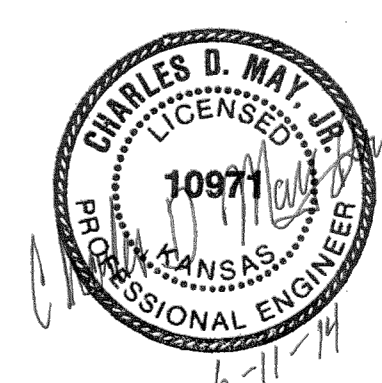


SLEEVE DETAIL

(Bottom Rail Shown, Top Rail Similar)



SECTION B-B



CITY OF WICHITA

RCB HANDRAIL DETAILS

Schwab Eaton 8615 W. Frazier Lane, Suite 2
Wichita, KS 67212
Phone: 316-722-4472

DESIGNED	SS	DRAWN	JB	SCALE	SHEET NO.
CHECKED	SS/CDM	DATE	05/14	No Scale	33