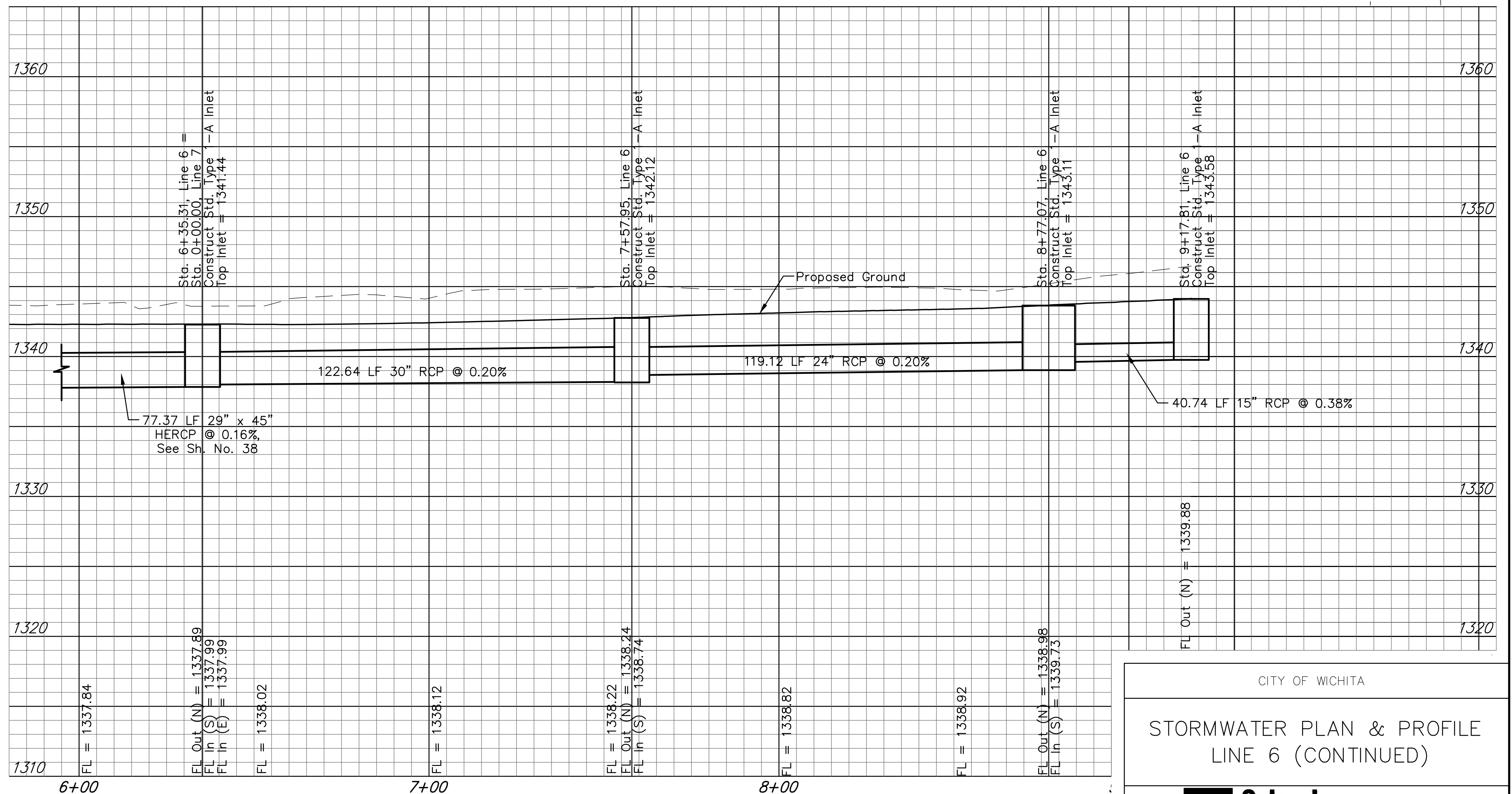
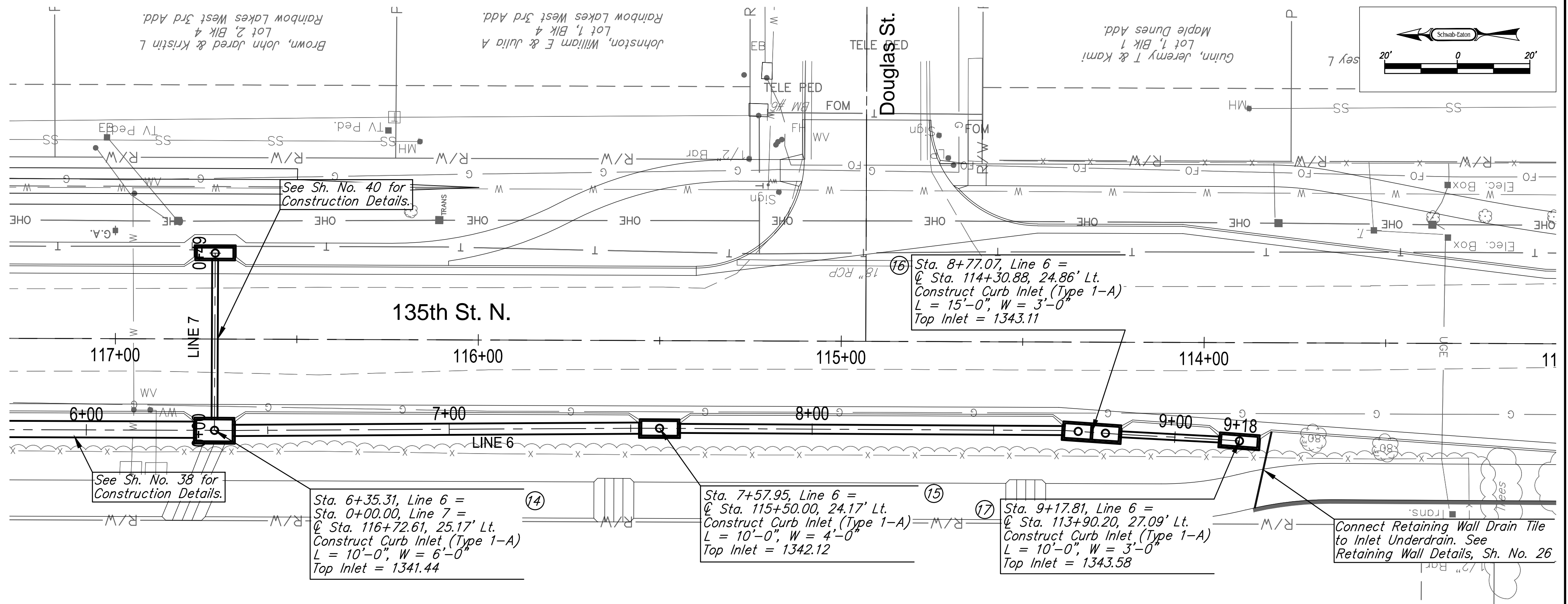
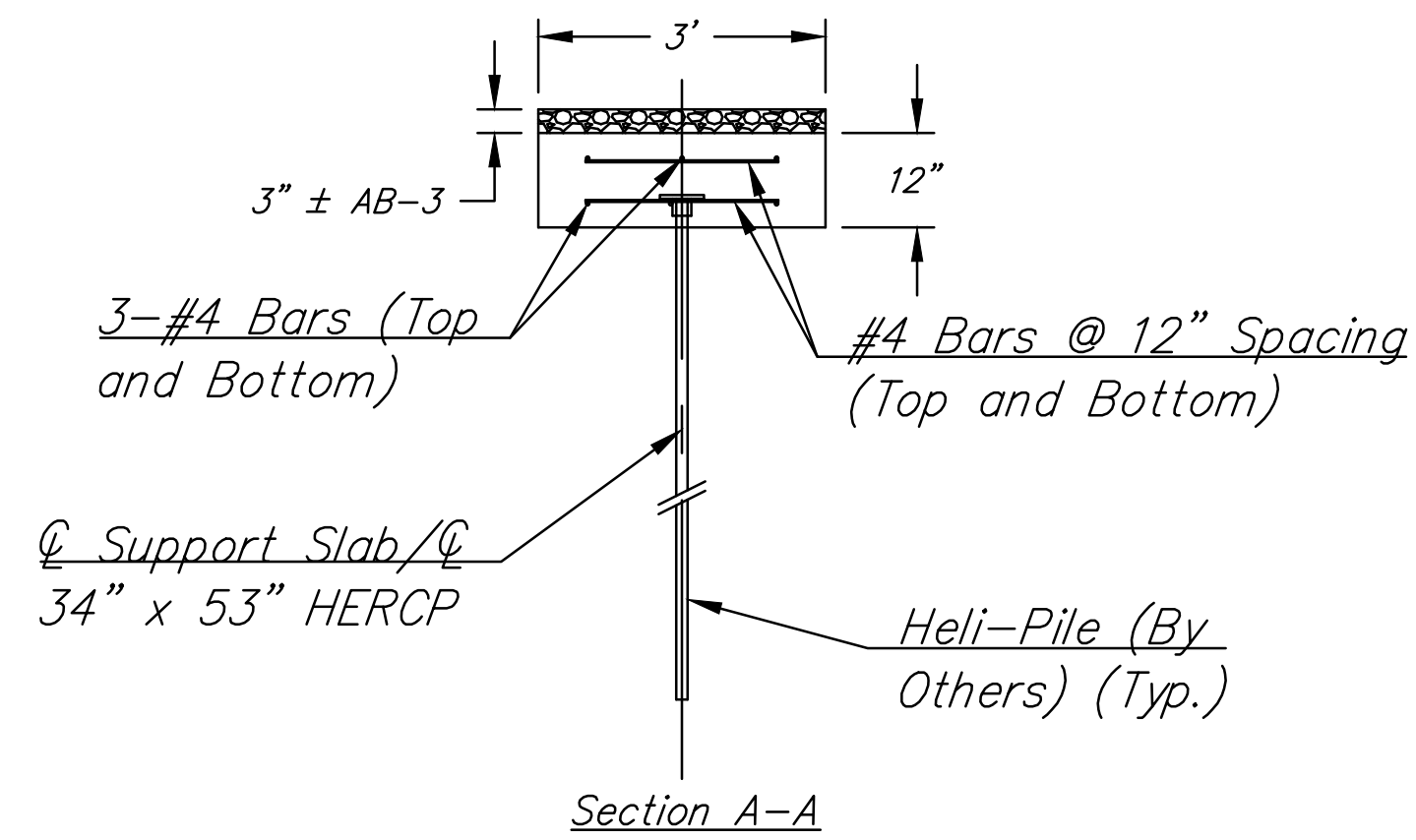
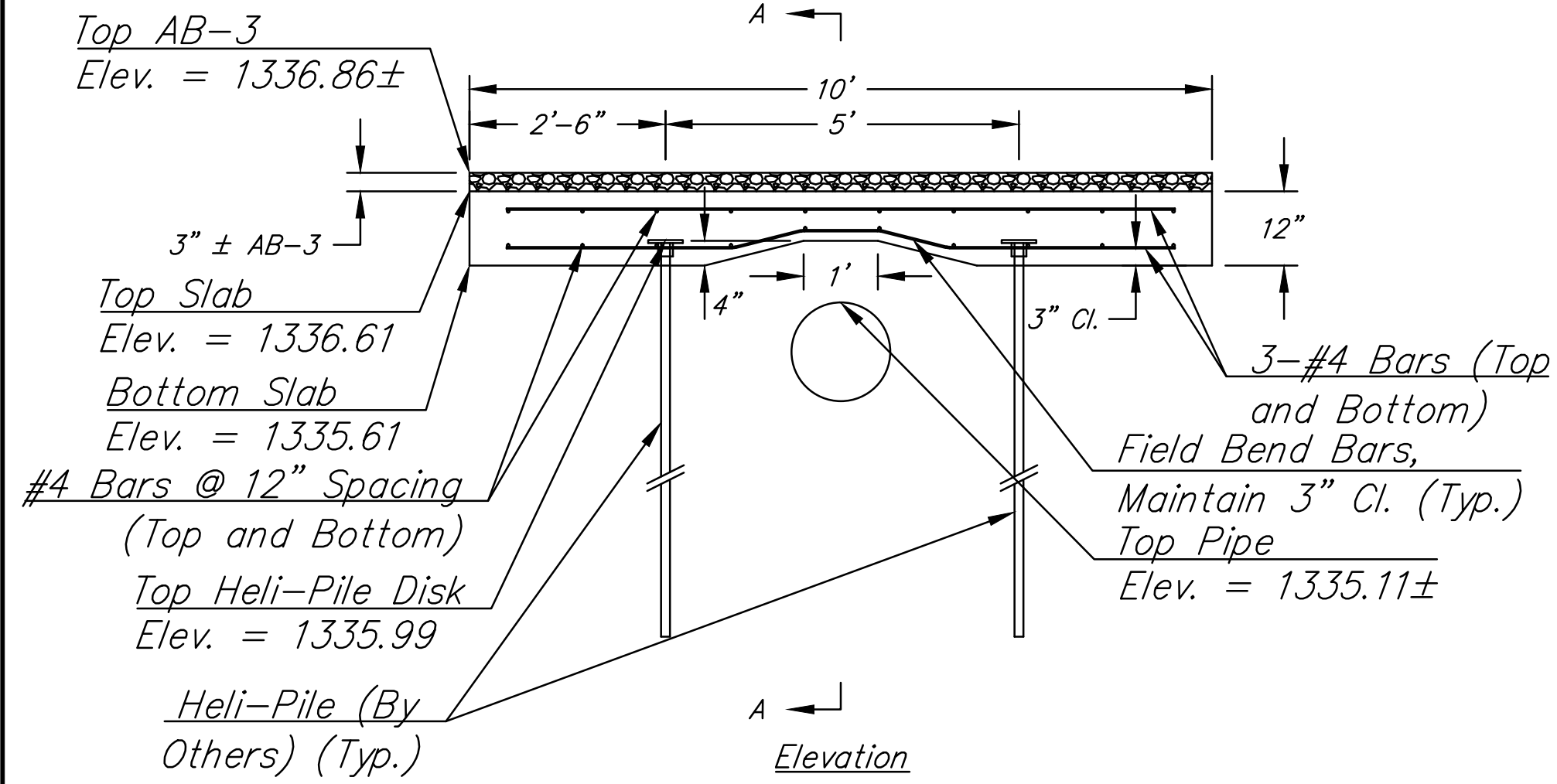


Pipe Crossing Support Detail



CITY OF WICHITA
 STORMWATER PLAN & PROFILE
 LINE 6 (CONTINUED)

Schwab Eaton
 8615 W. Frazier Lane, Suite 2
 Wichita, KS 67212
 Phone: 316-722-4472

DESIGNED: ABS
 DRAWN: PM/JB
 CHECKED: ABS/CDM
 DATE: 02/14
 SCALE: 1"=20'
 SHEET NO.: 39