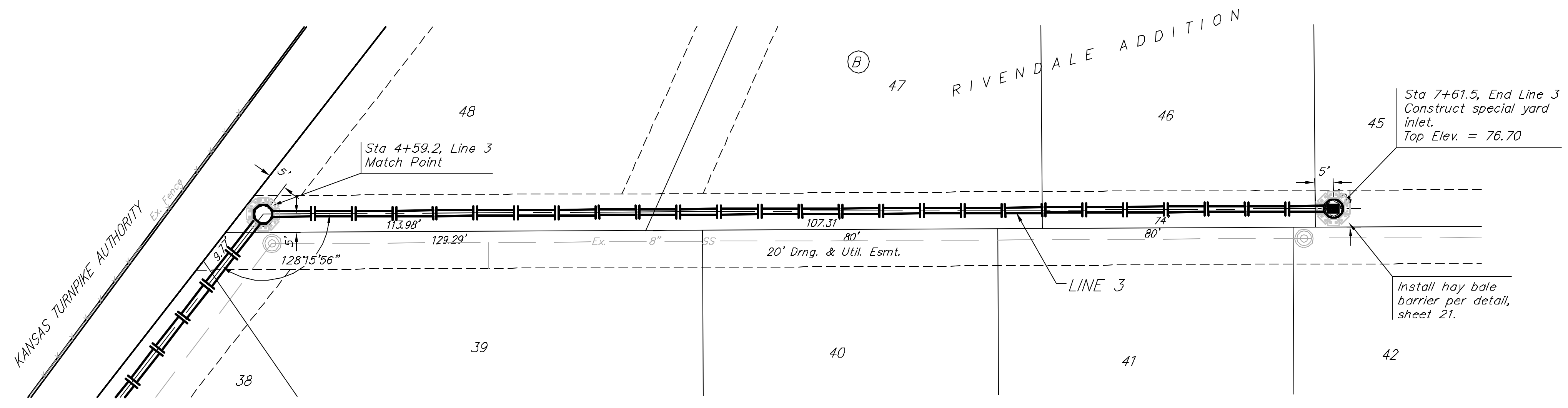
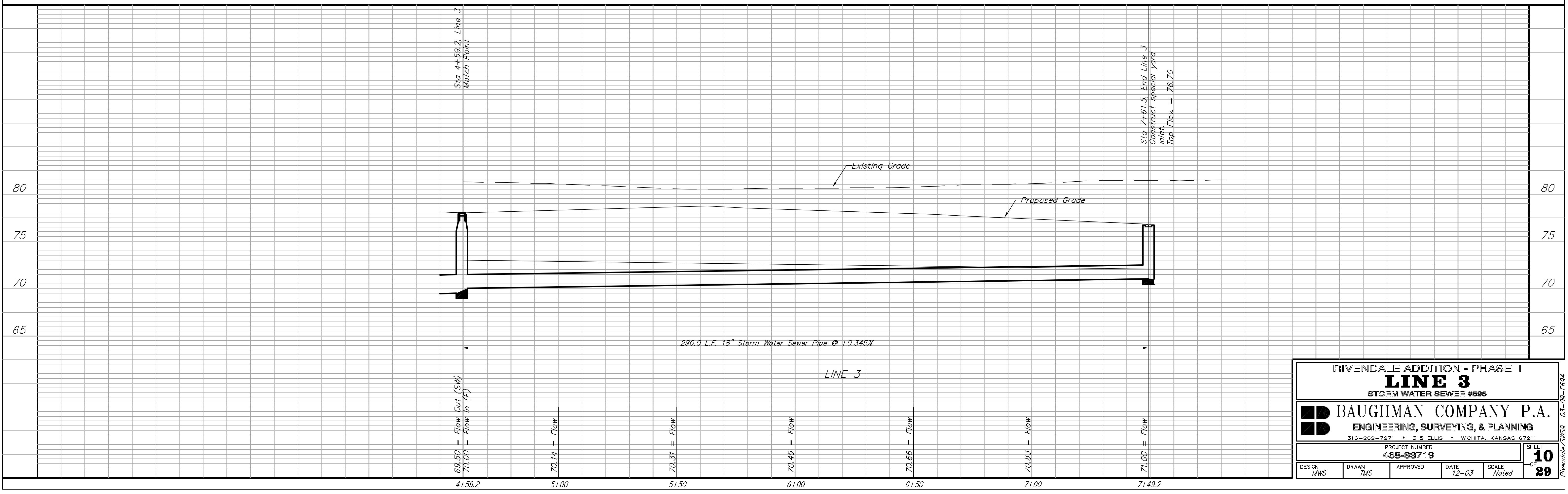


**Benchmark:**  
 City of Wichita Benchmark Disc,  
 Hydraulic and 55th Street South,  
 42.00' North of Centerline, 40.70'  
 West of Centerline, 3.70' North of  
 centerline of Power Pole, 38.20'  
 Northwest of Southeast Corner, Sec.  
 21, Twp. 28-S, R-1-E.  
 Elev. = 76.19 City Datum



Scale: 1" = 20' Horizontal  
 1" = 5' Vertical  
 • = Iron



RIVENDALE ADDITION - PHASE I				
<b>LINE 3</b>				
STORM WATER SEWER #696				
<b>BAUGHMAN COMPANY P.A.</b>				
ENGINEERING, SURVEYING, & PLANNING				
318-262-7271 • 315 ELLIS • WICHITA, KANSAS 67211				
PROJECT NUMBER				
<b>488-93719</b>				
DESIGN	DRAWN	APPROVED	DATE	SCALE
MWS	TMS		12-03	Noted
SHEET				10
OF				29