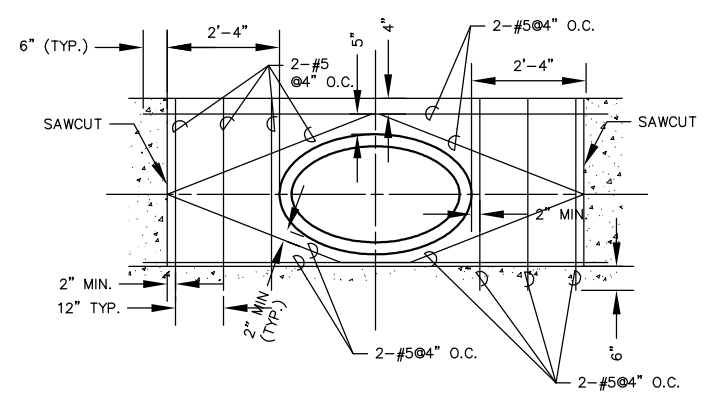
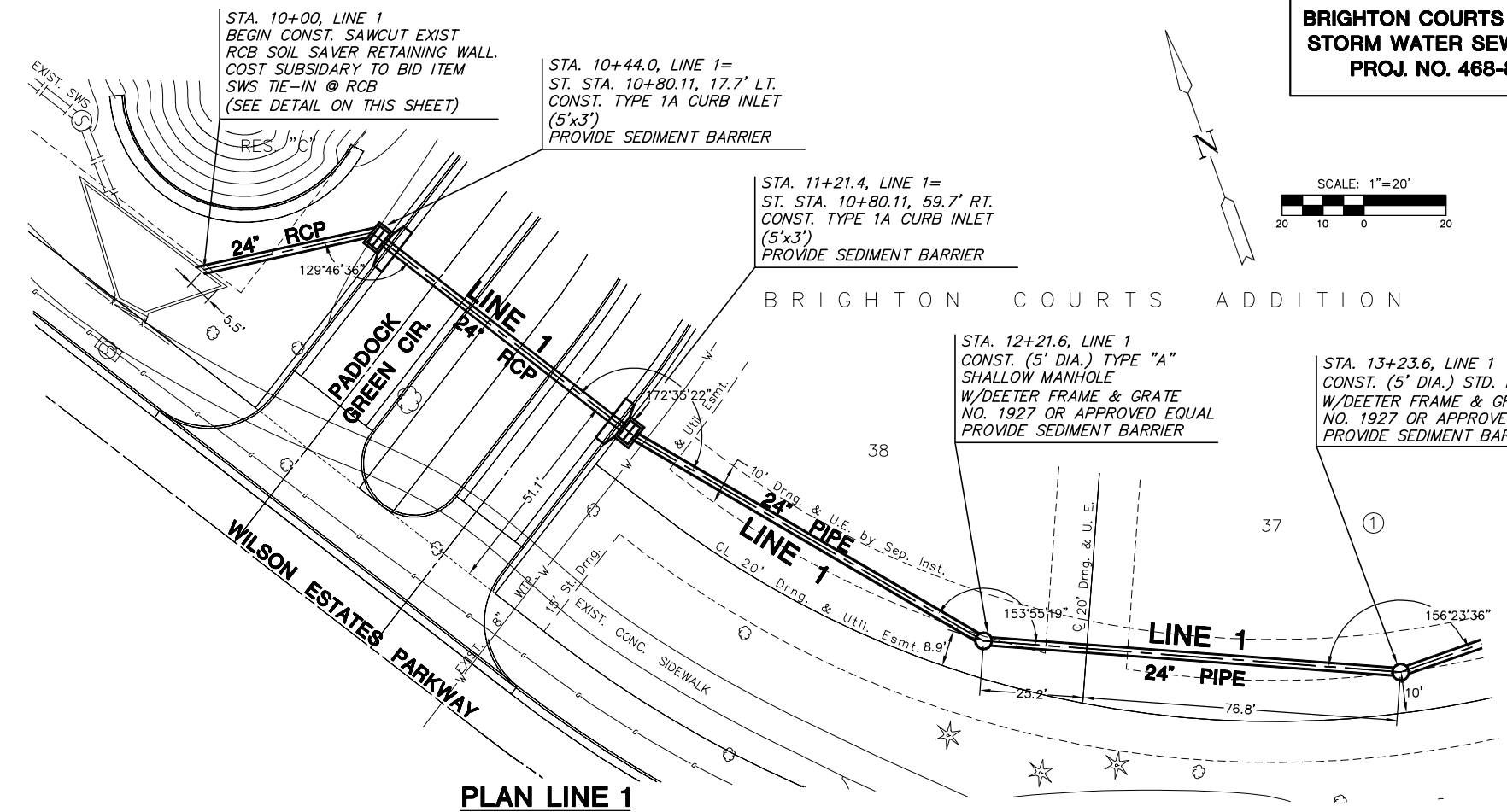


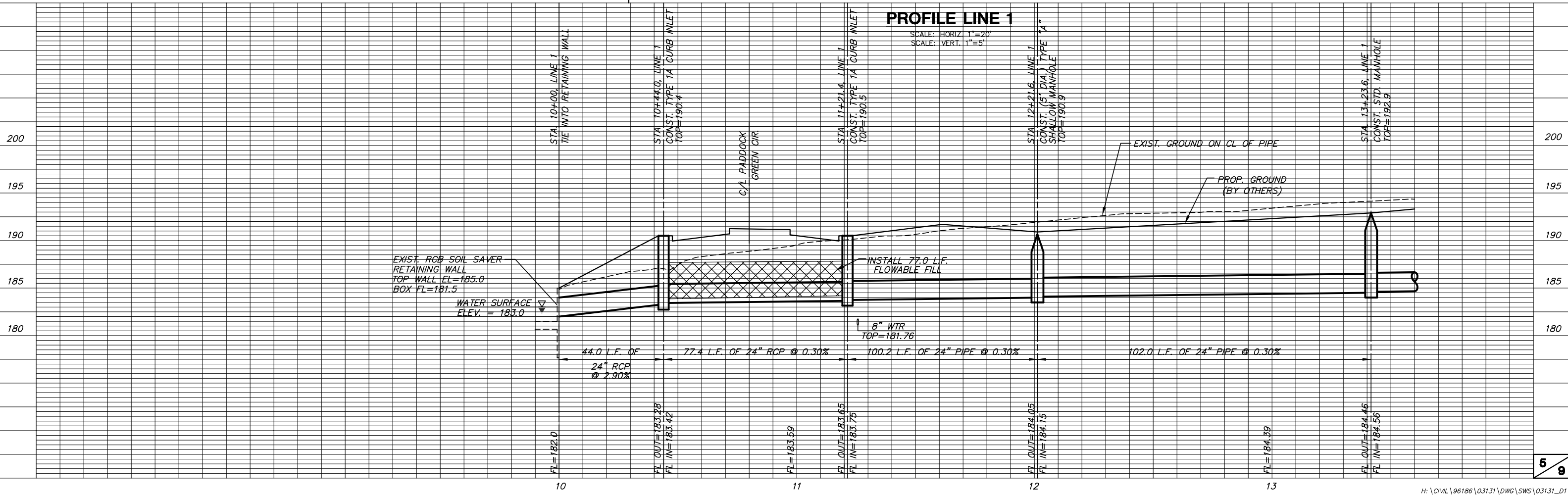
SWS TIE-IN



NOTE: CONTRACTOR SHALL APPLY A THIN LAYER OF GROUT ACROSS THE FACE AND TOP OF THE SOIL SAVER WALL.



PLAN LINE 1



PROFILE LINE 1