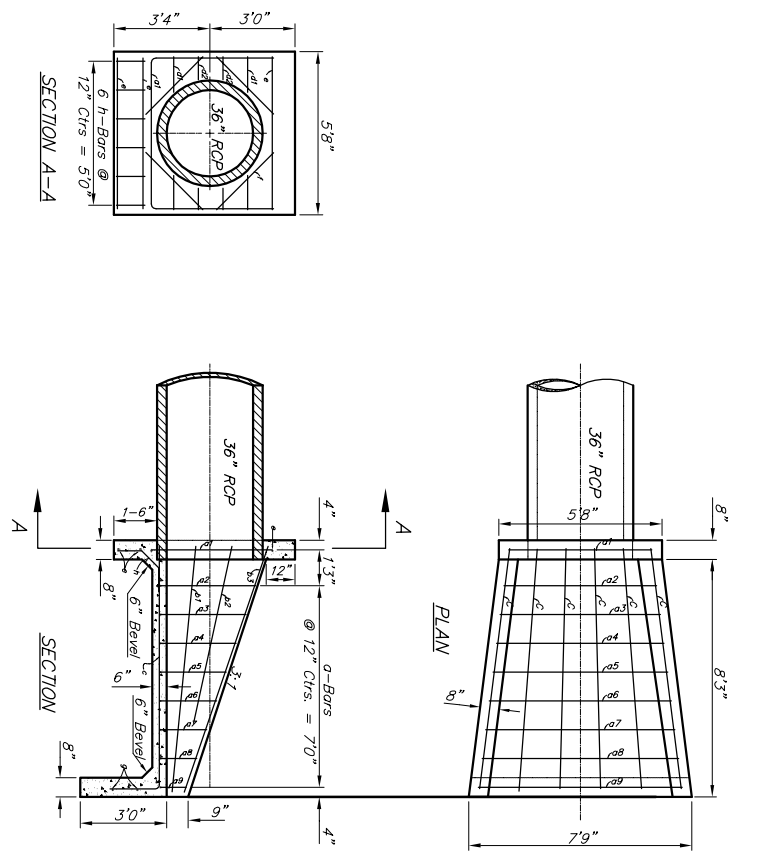


Bar	Shape	No.	Length	Weight
a1	5'7"	1	15'7"	10.41
a2	5'10"	1	13'10"	9.24
a3	6'1"	1	13'5"	8.96
a4	6'4"	1	13'0"	8.68
a5	6'6"	1	12'6"	8.35
a6	6'9"	1	12'1"	8.07
a7	7'0"	1	11'8"	7.79
a8	7'3"	1	11'3"	7.52
a9	7'6"	1	10'9"	7.18
a10	7'9"	1	10'5"	6.96
a11	8'0"	1	10'0"	6.68
Total Rebar				247.93 Lbs.
Concrete				10.12 C.Y.

A Deduction in Concrete Quantities Has Been Made for Pipe Openings Through the Headwall
 * Field Bend or Cut Reinforcing as Required for Clearance.
 All Concrete Reinforcement to be #4 Rebar.
 All Rebar to Have Min. of 1 1/2" Conc. Cover.

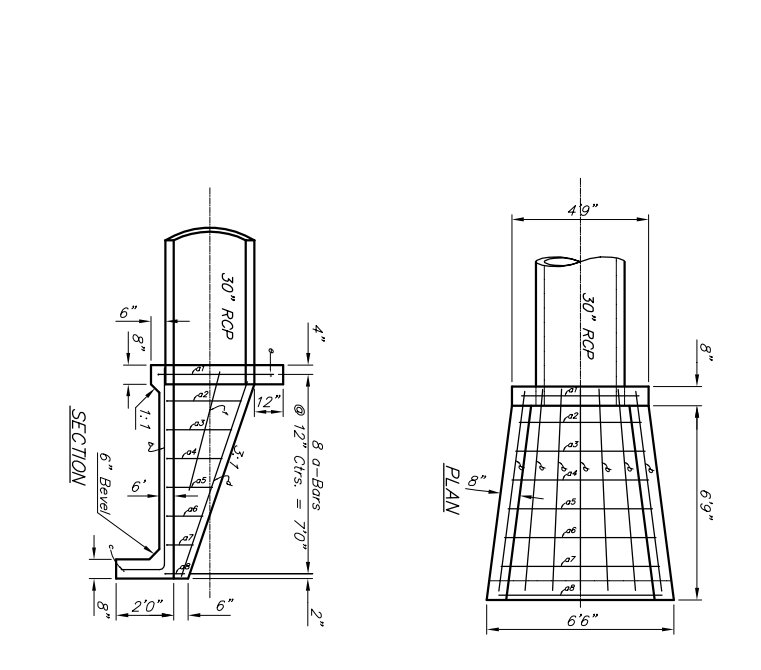
HEADWALL FOR 42" RCP



Bar	Shape	No.	Length	Weight
a1	5'2"	1	14'0"	9.35
a2	5'2"	1	11'10"	7.90
a3	5'5"	1	11'3"	7.52
a4	5'8"	1	10'10"	7.24
a5	5'11"	1	10'5"	6.96
a6	6'2"	1	10'0"	6.68
a7	6'5"	1	9'7"	6.40
a8	6'8"	1	9'0"	6.01
a9	6'11"	1	8'7"	5.73
Total Rebar				178.91 Lbs.
Concrete				3.20 C.Y.

A Deduction in Concrete Quantities Has Been Made for Pipe Openings Through the Headwall
 * Field Bend or Cut Reinforcing as Required for Clearance.
 All Concrete Reinforcement to be #4 Rebar.
 All Rebar to Have Min. of 1 1/2" Conc. Cover.

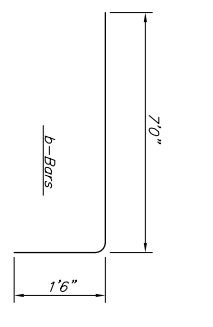
HEADWALL FOR 36" RCP



Bar	Shape	No.	Length	Weight
a1	4'1"	1	12'1"	8.07
a2	4'3"	1	9'5"	6.29
a3	4'6"	1	9'0"	6.01
a4	4'8"	1	8'6"	6.01
a5	5'0"	1	8'2"	5.46
a6	5'3"	1	7'9"	5.18
a7	5'6"	1	7'4"	4.90
a8	5'8"	1	7'0"	4.68
Total Rebar				104.00 Lbs.
Concrete				2.19 C.Y.

A Deduction in Concrete Quantities Has Been Made for Pipe Openings Through the Headwall
 * Field Bend or Cut Reinforcing as Required for Clearance.
 All Concrete Reinforcement to be #4 Rebar.
 All Rebar to Have Min. of 1 1/2" Conc. Cover.

HEADWALL FOR 30" RCP



- GENERAL NOTES**
- ALL PIPES SHALL BE FLUSH CUT PRIOR TO BEING CAST INTO CONCRETE HEADWALL
 - CONCRETE USED IN HEADWALL CONSTRUCTION SHALL BE SAME AS PER CITY STANDARD PAVING MIX EXCEPT THAT IT SHALL HAVE A MINIMUM 28 DAY COMPRESSIVE STRENGTH OF 4000 PSI.
 - ALL EXPOSED EDGES SHALL BE BEVELED 1/2".
 - REINFORCING STEEL SHALL COMPLY TO A.S.T.M. DESIGNATION AND GRADE 60. ALL DIMENSIONS RELATIVE TO REINFORCING STEEL ARE TO CENTERLINE OF BAR UNLESS OTHERWISE NOTED.
 - THE "REIN. CONC. HEADWALL" SHALL BE PAID FOR AT THE UNIT PRICE BID PER FOOT IN PLACE WHICH SHALL INCLUDE ALL LABOR, MATERIALS, EXCAVATION, CONCRETE, REINFORCING STEEL AND ALL OTHER INCIDENTAL ITEMS NECESSARY TO COMPLETE THE WORK. MATERIAL QUANTITIES SHOWN ARE FOR INFORMATION ONLY.

HEADWALL DETAIL

BAUGHMAN COMPANY P.A.
 ENGINEERING, SURVEYING, & PLANNING
 316--282--7271 • 315 ELLIS • WICHITA, KANSAS 67211

PROJECT NUMBER: 469-83756

DESIGN: DEL/DJW
 DRAWN: JMK
 APPROVED: [Signature]
 DATE: [Blank]
 SCALE: 1/8" = 1'-0"
 SHEET: 24 OF 31