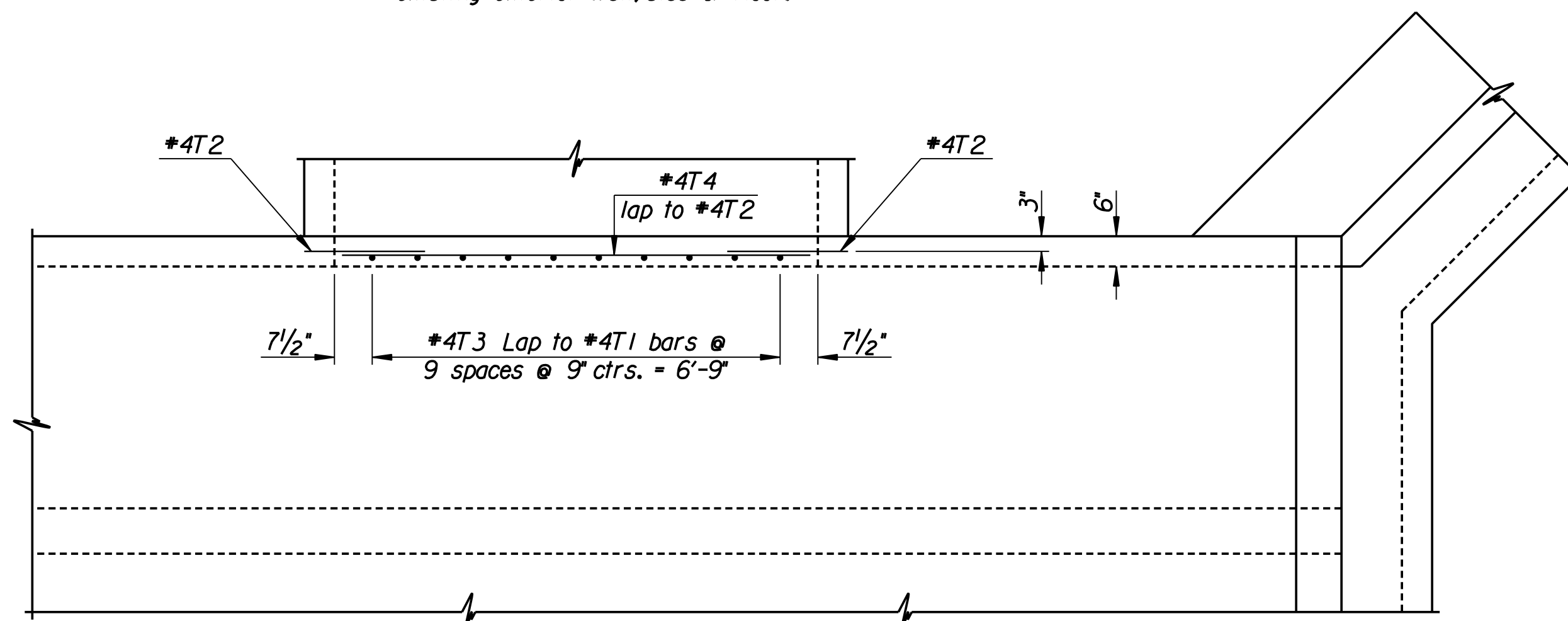


8'x4' R.C.B. PLUG ELEVATION

Scale: 1/2" = 1'

Note:
Drill & Grout *4T1 or T2 bars 6" in to existing exterior wall, slab & floor.



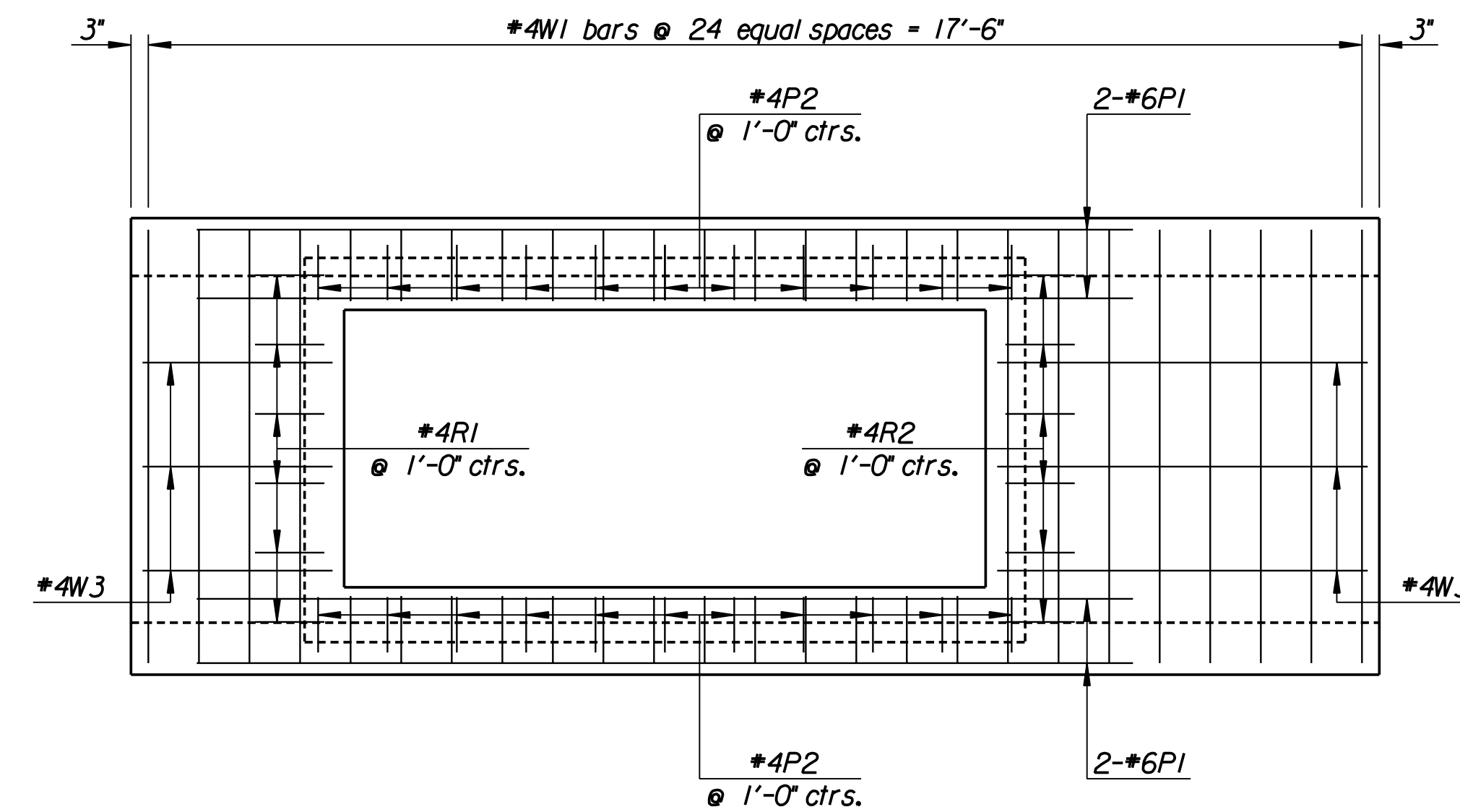
8'x4' R.C.B. PLUG PLAN

Scale: 1/2" = 1'

Mark	Size	Space	Number	Length
T1	4	9"	20	2'-0"
T2	4	18"	6	2'-0"
T3	4	9"	10	3'-8"
T4	4	18"	3	7'-8"

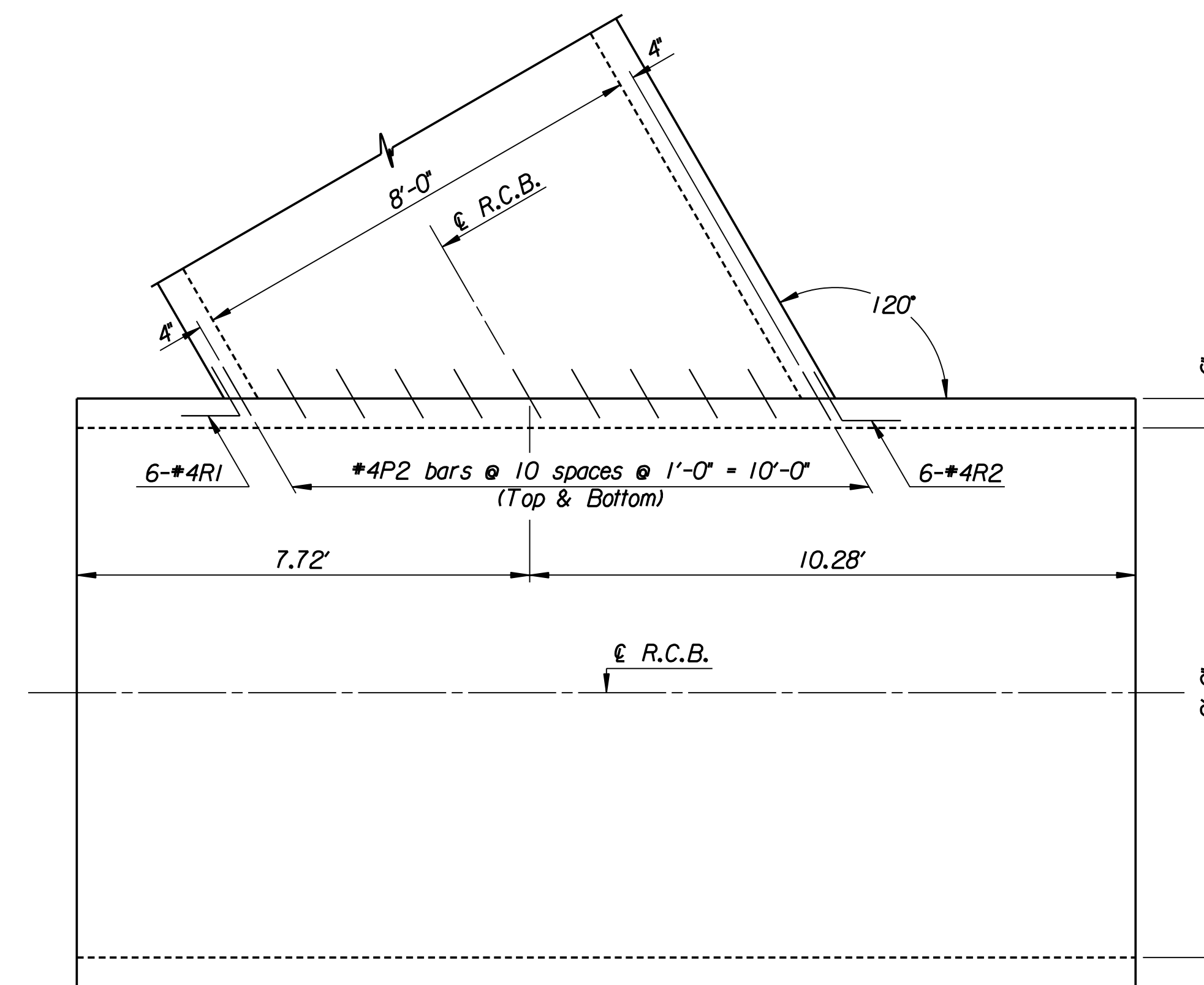
BILL OF MATERIALS	
Concrete	0.60 C.Y.
Reinforcing Steel	75 Lbs.
Drill and Grout	26 Each

See Sh. No. 17 AND 22 for General Notes



8'x4' R.C.B. PENETRATION ELEVATION

Scale: 1/2" = 1'



8'x4' R.C.B. PLAN

(Showing 8'x4' R.C.B. Penetration)

Scale: 1/2" = 1'

See Sh. No. 17 for Reinforcing Steel Listing

Note:
Field Cut horizontal and vertical wall reinforcing at 8'x4' R.C.B. opening to provide 2" clear.

See Sh. No. 17 and 20 for General Notes

No.	Revisions	By	Date
1			

CITY OF WICHITA, KANSAS
 JAMES L. ARMOUR, P.E. - ACTING CITY ENGINEER
 Str. No. 614-33-4506 Sta. 122+40.37
 MISCELLANEOUS DETAILS SWD #225
 TRIBUTARY TO FOUR MILE CREEK
 Proj. No. 468-83775 SEDGWICK CO.

Professional Engineering Consultants, P.A.
 303 S. TOPEKA • WICHITA, KANSAS 67202
 316-262-2691 • FAX 316-262-3003

Designed by	R.A.S.	Checked by	M.S.N.
Drawn by	R.A.S.	Date	Mar. 2004 Job No. 04106

DSNR: RAS OPER: DRP SCALE: 1:2
 I:\2004\04106\NEWPLANS\MISCDET.DGN 2-25-2004 14:07:24 LAST REV: 3-11-2004 BY: RAS