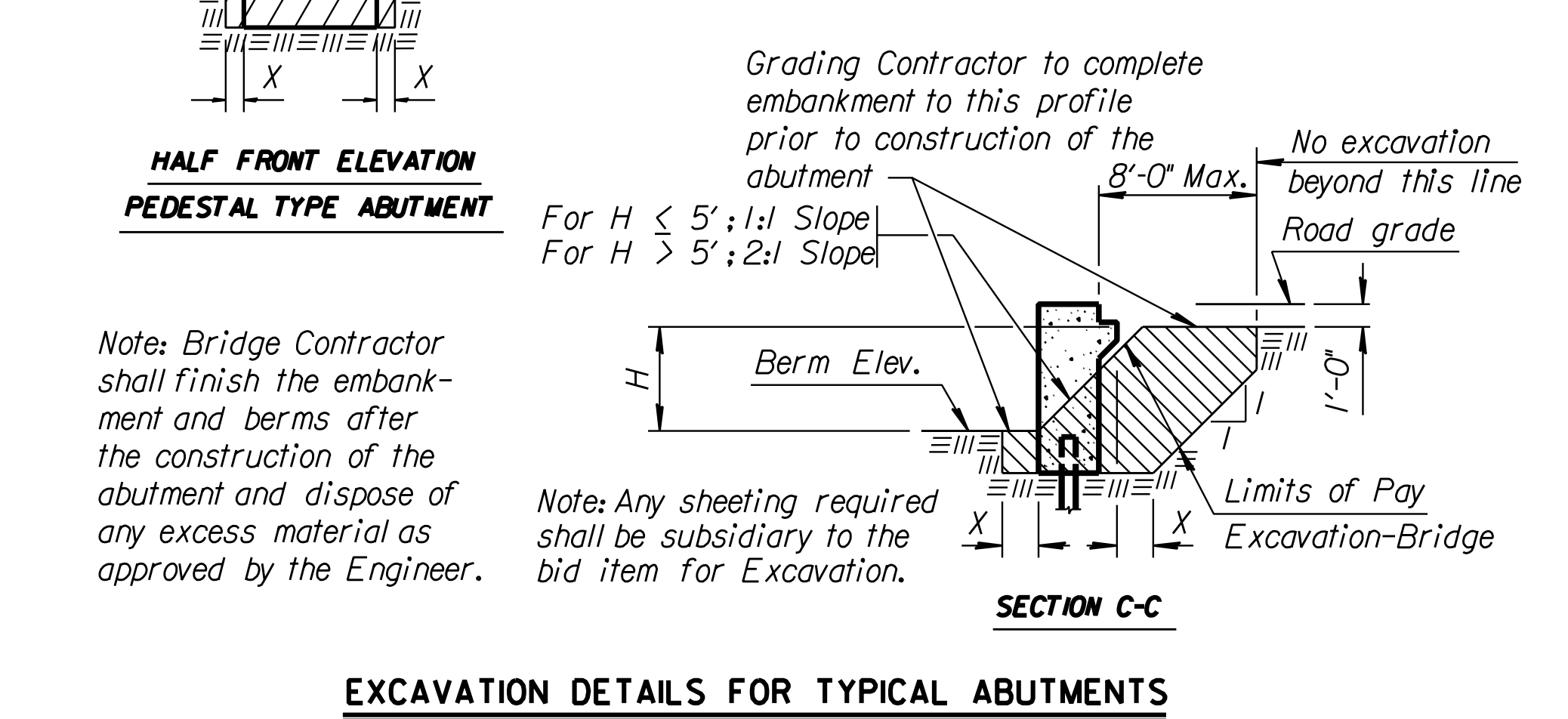
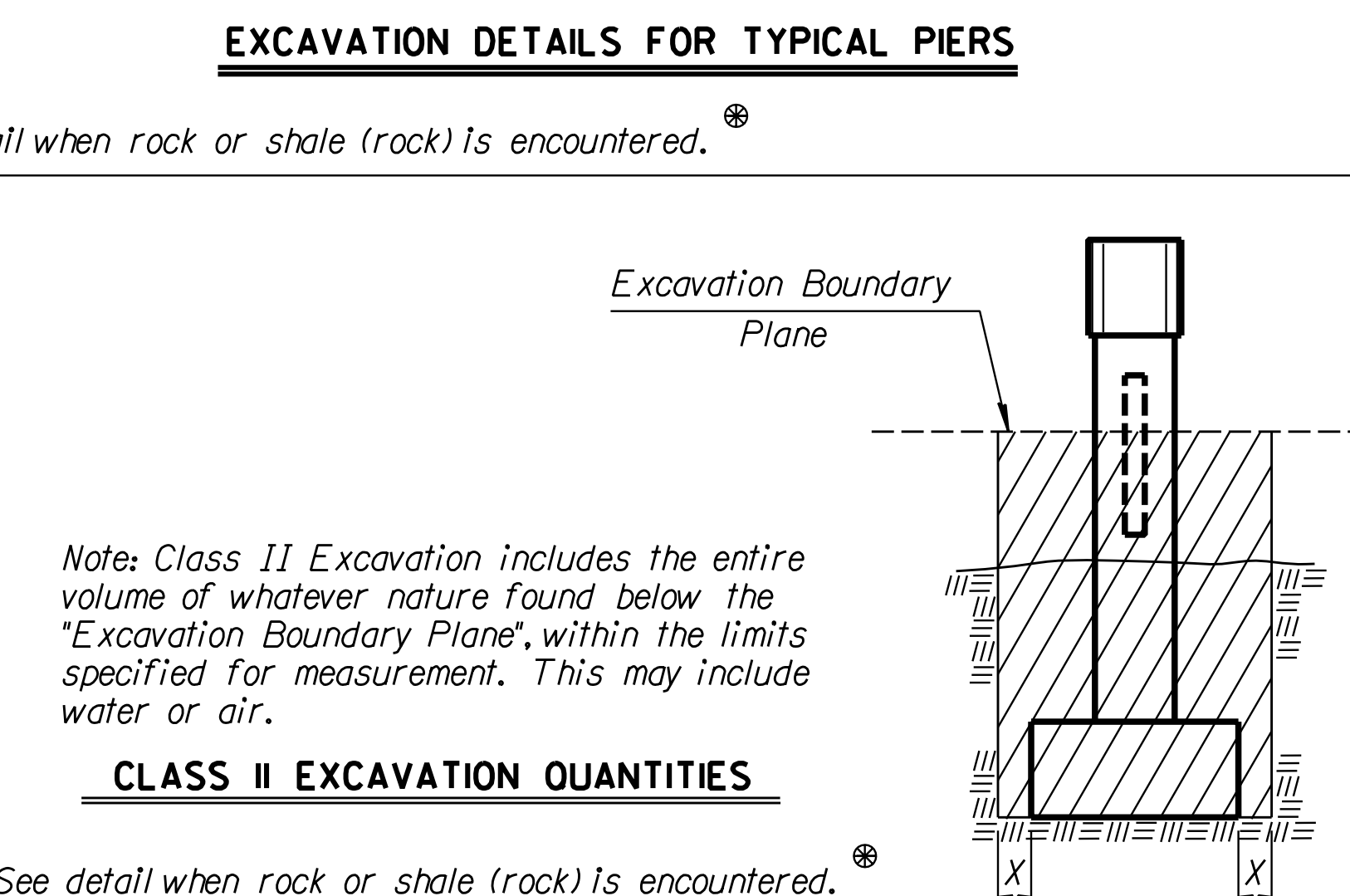
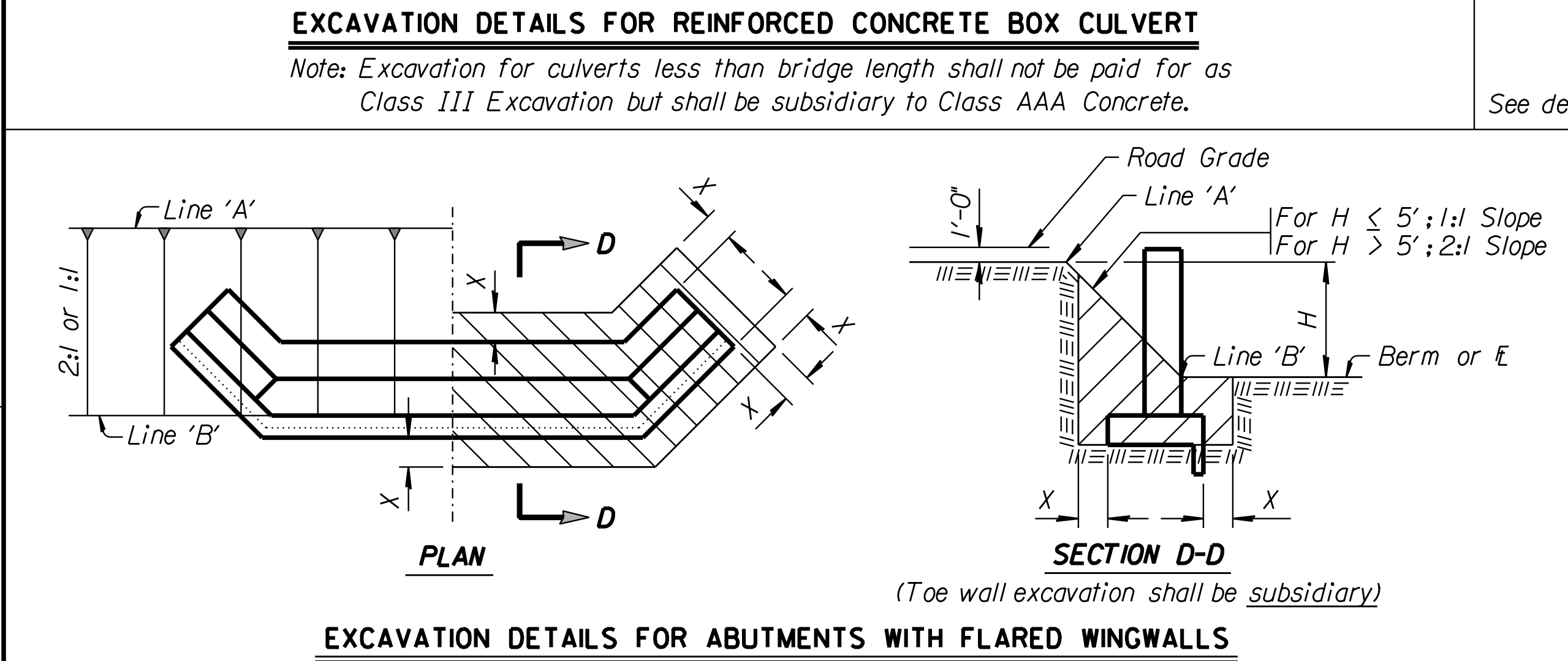
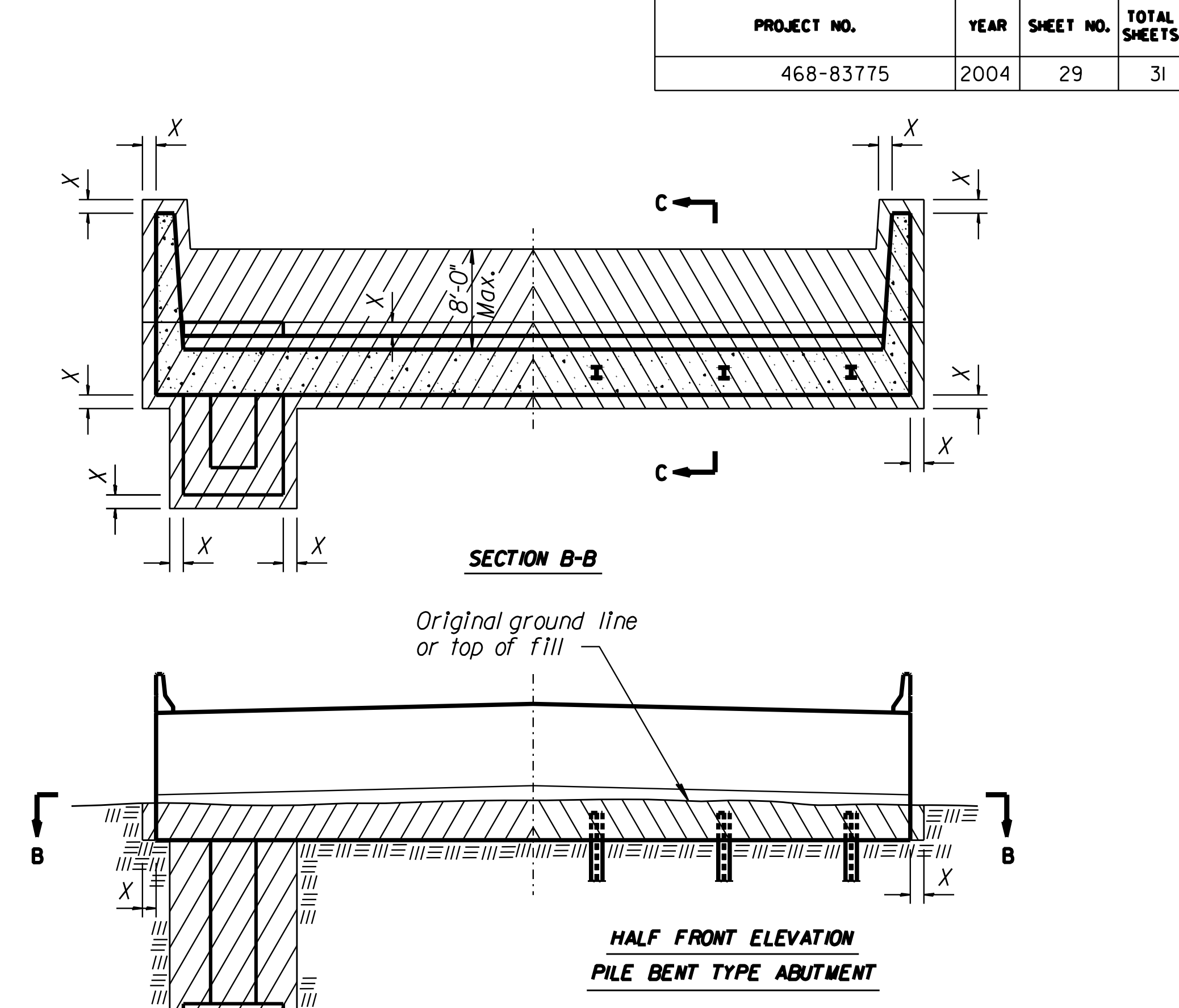
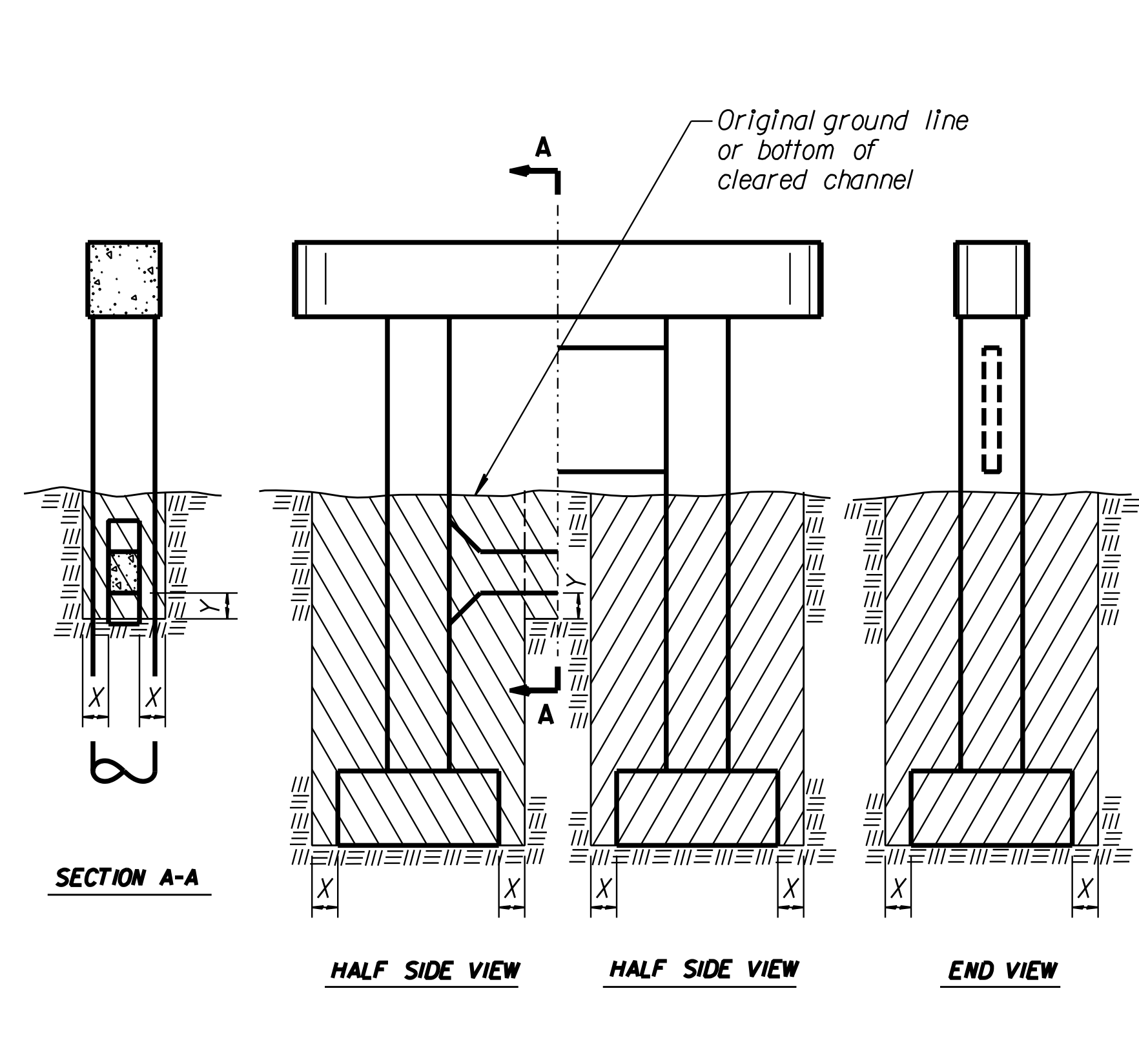
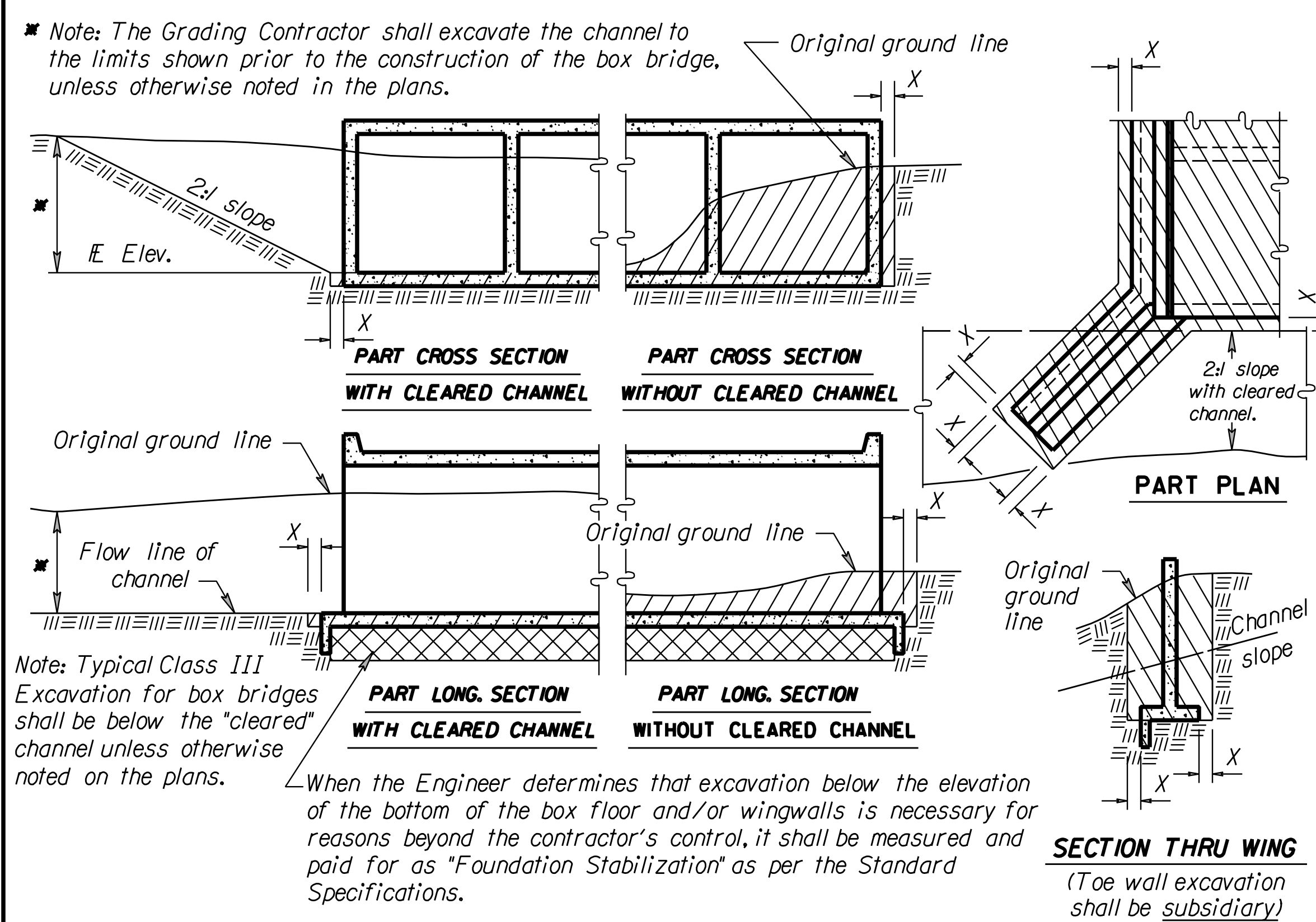


PROJECT NO.	YEAR	SHEET NO.	TOTAL SHEETS
468-83775	2004	29	31



Std. Base File: br100.dgn  
 Plotted By: RAS  
 File: 2004/04/06/newplans/br100.dgn  
 Plot Date: 3-11-2004

NO.	DATE	REVISIONS	BY	APP'D
6	4-10-02	Added "Foundation Stab." Note	RAM	KFH
5	8-12-95	Correct Section BB at abutment	LRR	KFH
4	1-30-95	Drilled Shaft Excavation	LRR	KFH
3	7-26-94	Change limits at abutment	LRR	KFH
2	1-26-93	Add Class 2 & Flared Wing det.	LRR	KFH
1	4-6-90	Change limits at abutments	LRR	KFH

**KANSAS DEPARTMENT OF TRANSPORTATION**

**BRIDGE EXCAVATION**

**BR100**

DESIGNED	DETAILED	4-19-02	APP'D	KENNETH F. HURST
DESIGN CR.	DETAIL CR.	LRR	QUAN. CR.	CADD CR.