

GENERAL NOTES

- UNLESS SHOWN OR STATED OTHERWISE ON THESE DRAWINGS, MATERIALS AND CONSTRUCTION SHALL BE IN ACCORDANCE WITH CITY OF WICHITA STANDARD SPECIFICATIONS.
- CONTRACTOR WILL BE REQUIRED TO PROVIDE A MINIMUM ADVANCE NOTICE OF SEVENTY-TWO (72) HOURS TO UTILITY COMPANIES PRIOR TO STARTING ANY EXCAVATION AS FOLLOWS:
 KANSAS ONE-CALL OR LOCAL (WICHITA) 1-800-344-7233 687-2470
 THE CONTRACTOR MUST NOTIFY THE FOLLOWING IN CASE OF EMERGENCY:
 COX COMMUNICATIONS (CABLE) 262-0661
 WESTAR (ELECTRIC) 383-8600
 KANSAS GAS SERVICE (GAS) 832-3101
 AT&T (TELEPHONE) 800-870-8390
 CITY OF WICHITA WATER & SEWER 262-6000
 BLACK HILLS ENERGY (GAS) 800-303-0357
- THE CONTRACTOR SHALL BE RESPONSIBLE FOR PRESERVING PROPERTY IRONS. THE CONTRACTOR WILL BE REQUIRED TO RE-ESTABLISH ANY PROPERTY IRONS WHICH ARE DAMAGED OR DESTROYED BY HIS CONSTRUCTION OPERATIONS. SUCH IRONS SHALL BE RE-ESTABLISHED BY A LICENSED LAND SURVEYOR IN ACCORDANCE WITH STATE LAWS.
- EXISTING UTILITIES AND THEIR LOCATIONS, AS SHOWN ON THE PLANS REPRESENT THE BEST INFORMATION OBTAINABLE FOR DESIGN. LOCATION INFORMATION HAS BEEN OBTAINED FROM THE VARIOUS UTILITY COMPANIES AND IS EITHER FROM COMPANY RECORD DRAWINGS OR COMPANY PROVIDED FIELD LOCATIONS. THE PLAN LOCATIONS SHOWN ARE NOT GUARANTEED. ADDITIONAL EXISTING UTILITIES MAY ALSO BE ENCOUNTERED.
- RUBBLE FROM THE REMOVAL OF MISCELLANEOUS STRUCTURES AND EXCESS EXCAVATION WHICH IS TO BE WASTED SHALL BE DISPOSED OF ON SITES TO BE PROVIDED BY THE CONTRACTOR. THESE SITES SHALL BE APPROVED BY THE ENGINEER AS TO SUITABILITY, APPEARANCE AND SITE LOCATION. LOCATIONS THAT, IN THE OPINION OF THE ENGINEER, WILL LEAVE AN UNSIGHTLY APPEARANCE WILL NOT BE APPROVED. ALL DISPOSAL SITES MUST BE APPROVED BY THE KANSAS DEPARTMENT OF HEALTH AND ENVIRONMENT. MATERIAL EITHER STOCKPILED OR DISPOSED OF IN A FLOOD PLAIN WOULD REQUIRE A KANSAS STATE BOARD OF AGRICULTURE PERMIT. ANY MATERIAL DUMPED IN WATERS OF THE UNITED STATES OR WETLANDS IS SUBJECT TO U.S. CORPS OF ENGINEERS PERMITTING REGULATIONS. ANY MATERIAL BURIED OR STOCKPILED BEYOND APPROVED CONSTRUCTION LIMITS WOULD REQUIRE ADDITIONAL ARCHAEOLOGICAL INVESTIGATIONS UNLESS BURIED IN A PREVIOUSLY APPROVED BORROW LOCATION.
- COST OF EXCAVATION, HAULING, AND DUMPING OF EXCESS EXCAVATION SHALL BE SUBSIDIARY TO THE PROJECT.
- A PORTION OF EXCESS EXCAVATED MATERIAL SHALL BE MOUNDING AROUND MANHOLES WHICH EXTEND MORE THAN ONE (1) FOOT ABOVE THE EXISTING GROUND. SUCH MOUNDS SHALL BE CONSTRUCTED WITH A SIX (6) FOOT DIAMETER FLAT TOP WITH 4 TO 1 SIDE SLOPES DOWN TO THE ORIGINAL GROUND. THE ELEVATION OF THE FLAT TOP OF THE MOUND SHALL BE 0.4 FOOT BELOW THE TOP OF THE MANHOLE.
- ALL STUBS AND PLUGGED PIPES SHALL BE LOCATED WITH GREEN PLASTIC TAPE IN THE SAME MANNER AS RISERS.
- CONNECTING TO EXISTING MANHOLES:
 PRIOR TO LAYING SEWER LINES USING EXISTING STUBS IN EXISTING MANHOLES, THE CONTRACTOR SHALL EXPOSE AND VERIFY THE ELEVATION, GRADE AND ALIGNMENT OF EXISTING STUBS AND NOTIFY THE ENGINEER OF ANY DEVIATION FROM THE PLAN. WHERE CONNECTION TO AN EXISTING MANHOLE THAT DOES NOT HAVE AN EXISTING STUB OR THE STUB IS UNUSABLE DUE TO ELEVATION GRADE OR ALIGNMENT, THE CONTRACTOR SHALL BORE CUT INTO EXISTING MANHOLE WALL TO MAKE CONNECTION USING APPROVED WATER STOP GASKET, AND RESHAPE THE EXISTING MANHOLE INVERT TO PROVIDE SMOOTH FLOW. THE COST OF CONNECTING TO EXISTING MANHOLES IS INCIDENTAL TO THE PROJECT.
- TREES AND SHRUBS IN PUBLIC RIGHT-OF-WAY WHICH ARE IN DIRECT CONFLICT WITH PROPOSED NEW CONSTRUCTION SHALL BE REMOVED BY THE CONTRACTOR WITH THE ENGINEER'S APPROVAL. TREES AND SHRUBS WHICH ARE NOT IN DIRECT CONFLICT WITH PROPOSED NEW CONSTRUCTION SHALL BE SAVED AND PROTECTED FROM DAMAGE.
- ALL DISTURBED AREAS TO BE SEEDED WITH RYE GRASS AT A RATE OF 200 LBS. PER ACRE WITHIN 10 DAYS OF CONSTRUCTION. CONTRACTOR TO PREPARE GROUND PER CITY SPECIFICATIONS. COST IS SUBSIDIARY TO SITE PREPARATION AND RESTORATION.
- CONTRACTOR TO COORDINATE CONSTRUCTION OF SEWER WITH OTHER CONSTRUCTION ACTIVITIES ON SITE. THIS INCLUDES THE WATER DISTRIBUTION SYSTEM IMPROVEMENTS PROJECT.

SANITARY SEWER LIFT STATION AND FORCE MAIN PLANS

TO SERVE

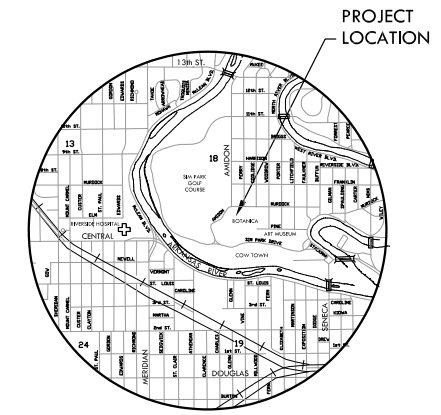
BOTANICA - THE WICHITA GARDENS

PROJECT NO. 468-84683

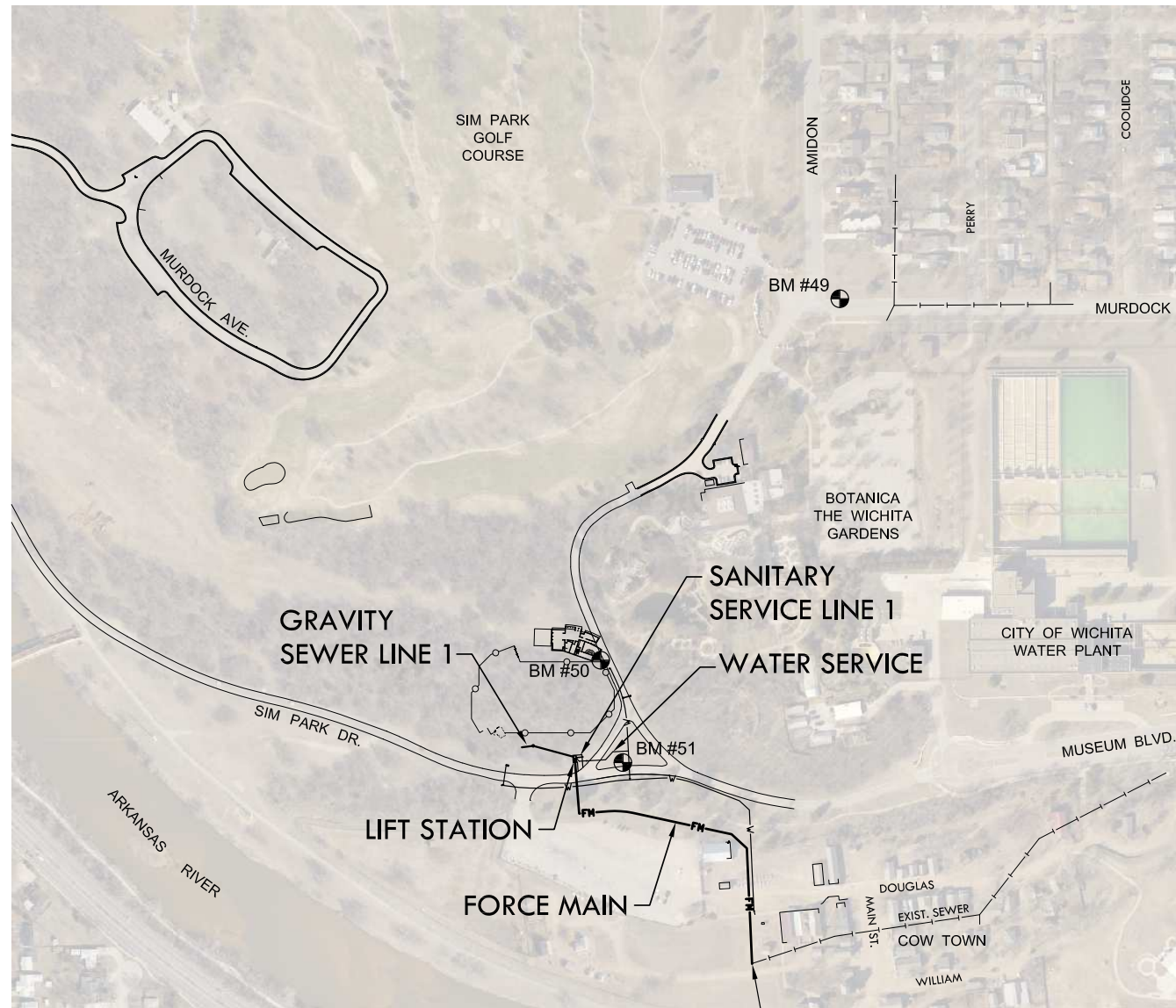
THE CITY OF WICHITA, KANSAS
 JAMES L. ARMOUR, P.E. - CITY ENGINEER

OCA NO. 785161

MIES CONSTRUCTION - CONTRACTOR
 K. KERNS - CITY OF WICHITA, FIELD PROJECT ENGINEER
 M. COYKENDALL - CITY OF WICHITA, INSPECTOR
 STUB & RISERS
 AS-BUILT
 RELEASE DATE: 1/27/2011
 PDF: APRosAs 2/22/2011



VICINITY MAP



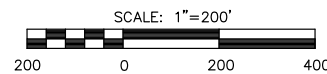
INDEX TO DRAWINGS

SHEET NO.	DESCRIPTION
1	TITLE SHEET
2-3	DETAILS
4	FORCE MAIN
5	SANITARY SERVICE LINE 1
5A	GRAVITY SEWER LINE 1
6	BUBBLE MAP
7-10	ELECTRICAL
11-24	CONTROLS
25-29	BMP DETAILS

BENCHMARKS

- BM #49 CHISELED "X" ON TOP OF NORTH CURB OF MURDOCK, 21.0' NORTH OF CENTERLINE MURDOCK AND 61.3' EAST OF CENTERLINE AMIDON. ELEV. = 1303.04 NGVD 88
- BM #50 BRASS DISC SET IN A CONCRETE POST, 6' WEST OF THE BACK OF THE WEST CURB OF AMIDON, 280' +/- NNW OF THE CENTER OF SIM PARK DRIVE, 42.9' SSE OF HORIZONTAL CONTROL POINT #13. ELEV. = 1303.75 NGVD 88
- BM #51 CHISELED SQUARE ON SOUTHWEST CORNER OF CONCRETE VAULT IN ISLAND AT INTERSECTION OF SIM PARK DRIVE AND AMIDON, 9' NORTH OF THE BACK OF THE NORTH CURB OF SIM PARK DRIVE, 64' EAST OF THE WEST END OF THE ISLAND AND 24' WNW OF A LIGHT POLE. ELEV. = 1302.17

RECAPITULATION OF QUANTITIES			
MEASURED QUANTITY	BID ITEMS	QUANTITY	UNIT
General Items			
	BMP, Construction Entrance	1	L.S.
	Mobilization	1	L.S.
	Site Clearing	1	L.S.
	Site Restoration	1	L.S.
	Gravel Surface (AB-3 Rock)	59	S.Y.
	Seeding, Temporary	1	L.S.
Lift Station/Force Main			
	Lift Station Module	1	L.S.
	Site Electrical & Power Delivery	1	L.S.
	Controls	1	L.S.
	Force Main Tie-In	1	L.S.
	Pipe, SS Force Main 2", Directional Drilled	334	L.F.
	Pipe, SS Force Main 2"	482	L.F.
Sanitary Sewer Items			
	Manhole, 4' Dia, Outside Drop	1	Each
	Pipe, SS 8"	130	L.F.
	Pipe, SS 6"	20	L.F.
	Pipe Stub, 6"	1	Each
	Riser Assembly 8", Cleanout	1	Each
	Riser Assembly 6", Cleanout	1	Each
Water Items			
	Service Line, Long 1"	1	Each
	Service Meter Setter 1"	1	Each



SANITARY SEWER LIFT STATION AND FORCE MAIN
BOTANICA - THE WICHITA GARDENS
 STREETS AND UTILITIES

TITLE SHEET

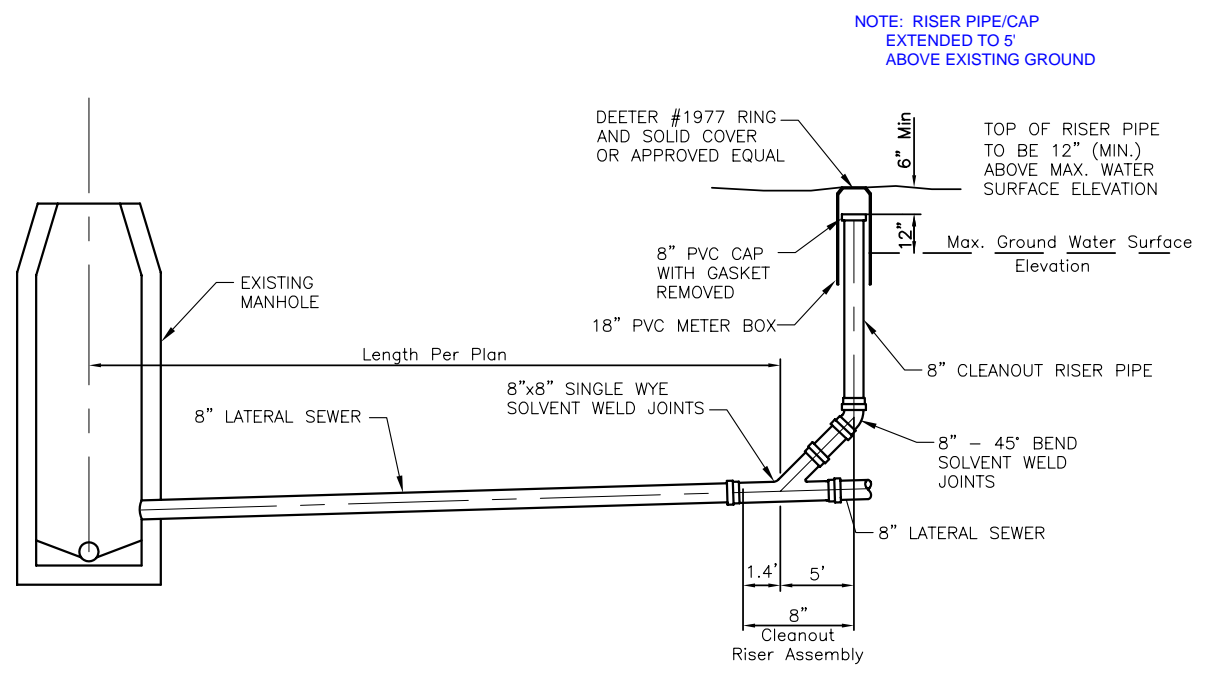
SHEET TITLE
468-84683
 PROJECT NUMBER

DFL / DMU / GJA
 DESIGNED / DRAWN / CHECKED

ISSUED
 July 2010

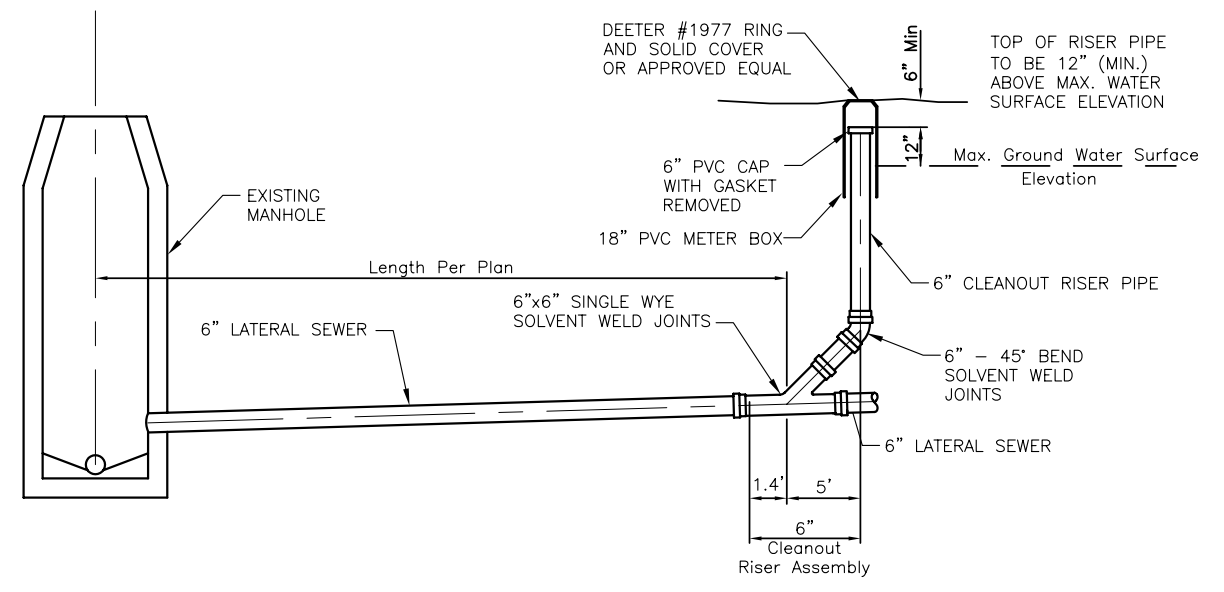
REVISED
 11/04/10

SHEET NO.



8" CLEANOUT RISER ASSEMBLY DETAIL

N.T.S.



6" CLEANOUT RISER ASSEMBLY DETAIL

N.T.S.

CLEANOUT DETAILS

SHEET TITLE

PROJECT NUMBER

468-84683

DESIGN BY

DRAWN BY

CHECKED BY

AJK

DMU

BLW

ISSUED

REVIS

July 2010

11/04/10

SANITARY SEWER LIFT STATION AND FORCE MAIN
BOTANICA - THE WICHITA GARDENS
STREETS AND UTILITIES

STA. 10+00.00 TO
STA. 10+14.7, FM
CONST. LIFT STATION,
PIPING, AND 59 S.Y.
OF 6" THICK GRAVEL
ACCESS DRIVE (SEE
SHEET 2)

5.4' OF 2" PIPE

STA. 10+20.0 TO
STA. 10+85.0, FM
60 L.F. OF 2" PIPE
BY DIRECT DRILL

STA. 11+34.3, FM
1-2" 90° BEND

367.6' OF 2" PIPE

STA. 15+33.5
STA. 15+01.9, FM
1-2" 30° BEND
90°

49.4' OF 2" PIPE

STA. 15+51.3, FM
1-2" 45° BEND

STA. 18+24.9, FM
PROVIDE CONNECTION
TO EXISTING MANHOLE

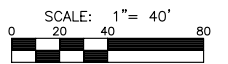
EXISTING SSMH
MH TOP=1302.76
FL OUT=1297.06 (8"E)

273.6' OF 2" PIPE
BY DIRECT DRILL

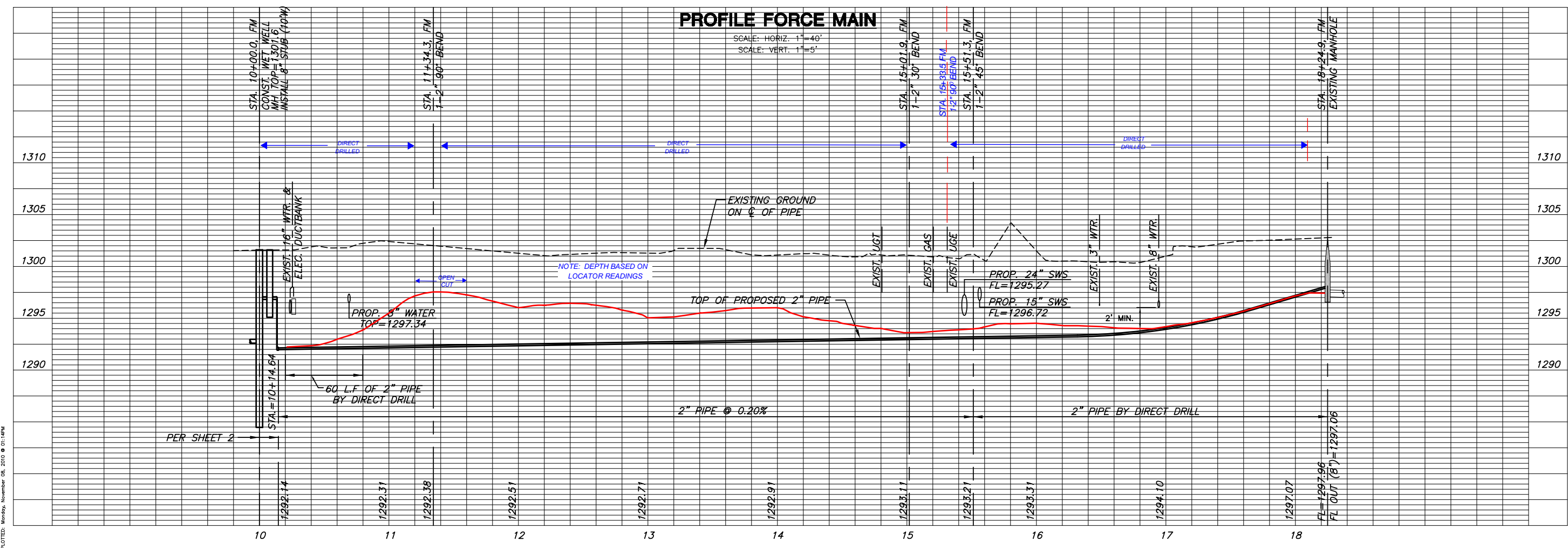
- NOTES:**
1. CONTRACTOR TO VERIFY DEPTH AND LOCATION OF EXISTING UTILITIES PRIOR TO CONSTRUCTION.
 2. CONTRACTOR TO MAINTAIN PEDESTRIAN ACCESS TO COW TOWN AT ALL TIMES DURING CONSTRUCTION. COST SUBSIDIARY TO PROJECT.

REMOVE AND REPLACE EXIST. SIDEWALK TO THE NEAREST JOINT AS NECESSARY FOR CONSTRUCTION. COST SUBSIDIARY TO PROJECT.

PLAN FORCE MAIN



CAUTION!!
UNDERGROUND
UTILITIES



PROFILE FORCE MAIN

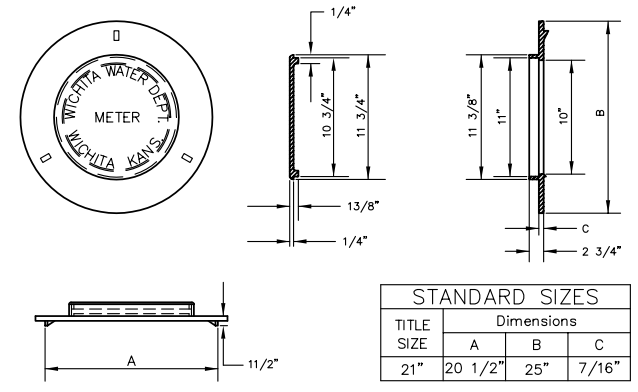
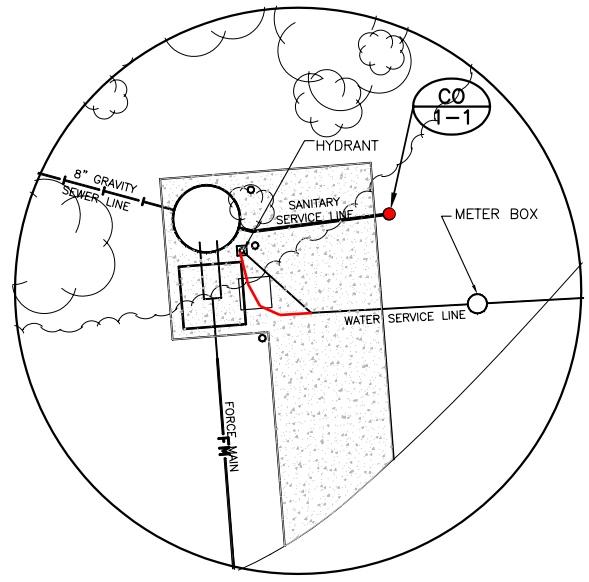
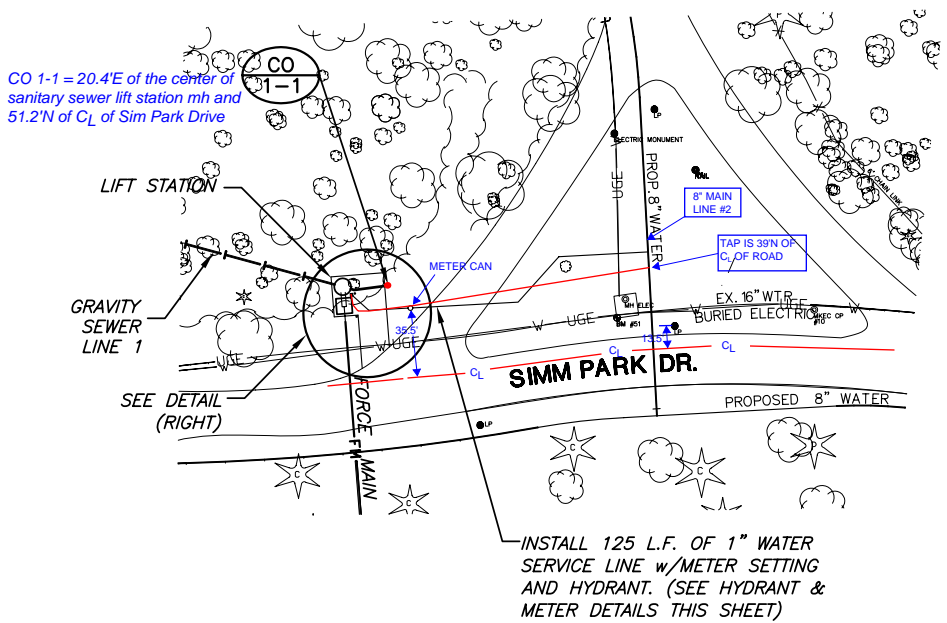
SCALE: HORIZ. 1"=40'
SCALE: VERT. 1"=5'

FORCE MAIN
SHEET TITLE
468-84683
PROJECT NUMBER

DESIGN BY: **AJK**
DRAWN BY: **DMU**
CHECKED BY: **AJK**

ISSUED: **July 2010**
REVISED:

SHEET NO.
4 of 29



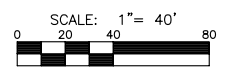
Other Approved Ring And Lids:
Ford Meter Box Co. Inc. 21" Ring & Lid Catalog No. C-4

RING & LID FOR METER BOXES

N.T.S.

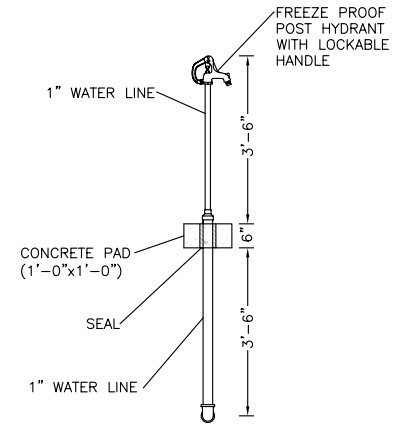
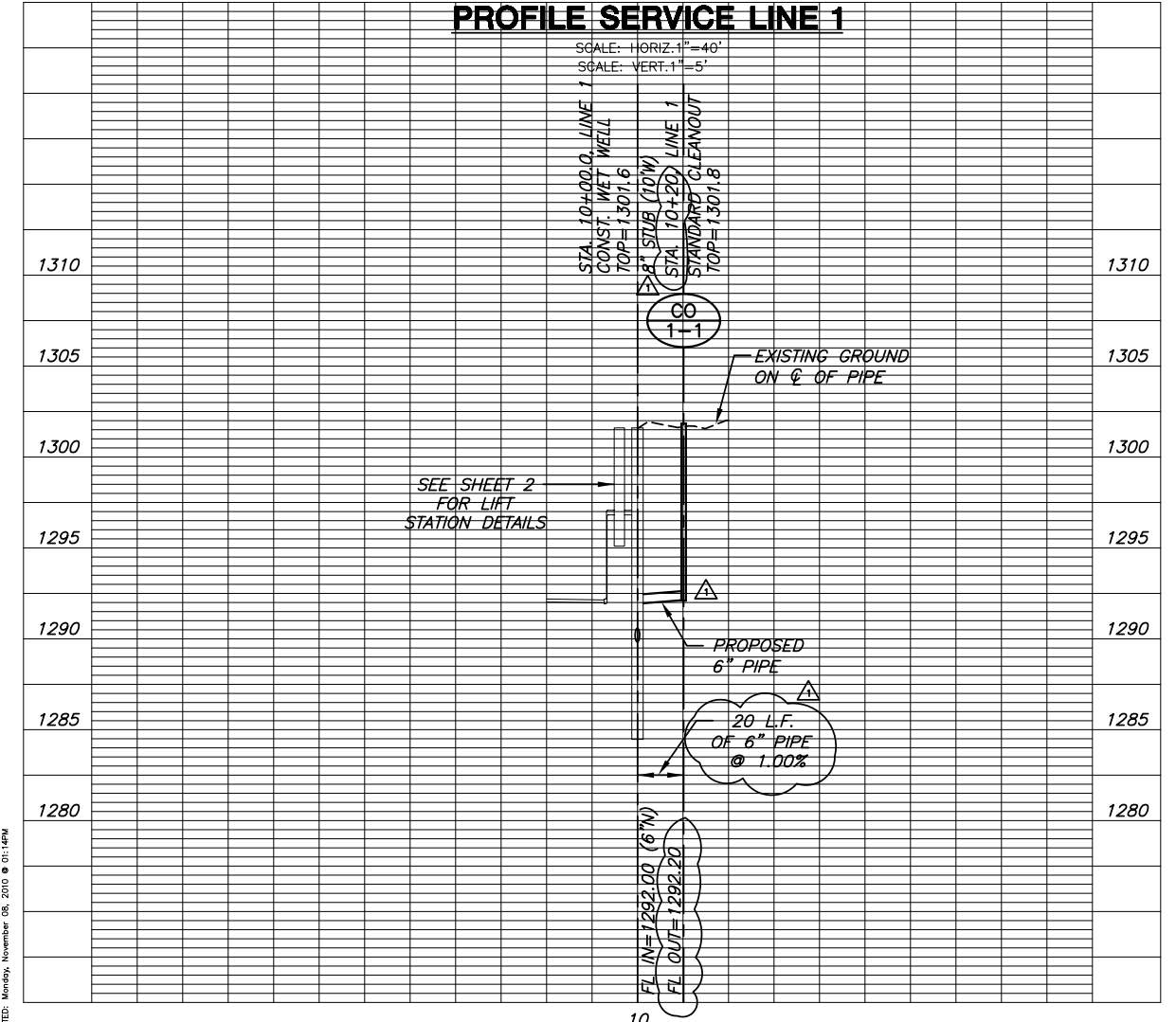
NOTE:
CONTRACTOR TO VERIFY DEPTH AND LOCATION OF EXISTING UTILITIES PRIOR TO CONSTRUCTION.

PLAN SERVICE LINE 1



DETAIL
SCALE: 1"=10'

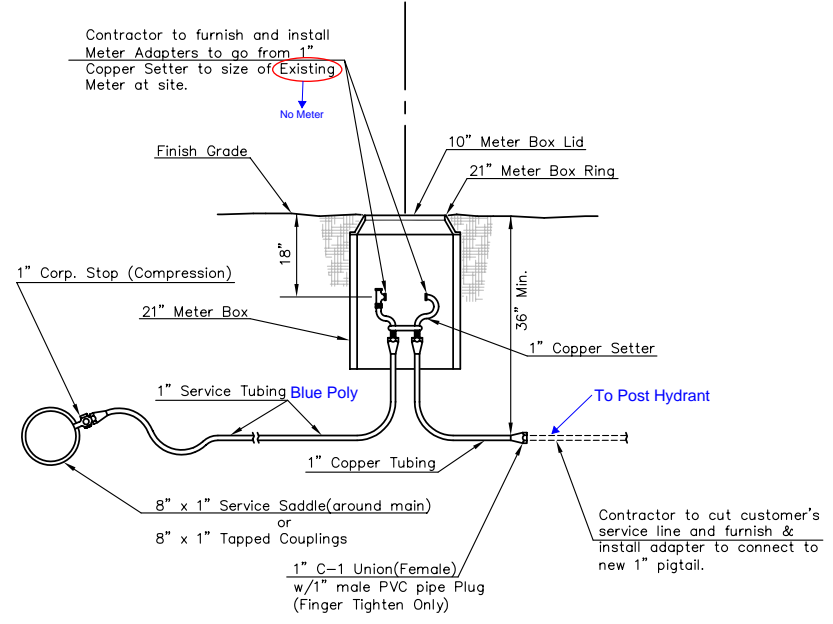
PROFILE SERVICE LINE 1



CONTRACTOR SHALL INSTALL RPZ BACKFLOW PREVENTOR AND VAULT BELOW FREEZE LINE (3.5 FEET)

HYDRANT DETAIL

ELEVATION - LOOKING EAST
N.T.S.



Bore hole under paving shall be a maximum of 2" in Diameter and a minimum of 36" below top of paving.

Note: Service Saddles are not required on top of 8" mains or larger Meter boxes will be located adjacent to existing meter boxes but out of any paving.

TYPICAL METER SETTING

LONG SERVICE 1"

N.T.S.

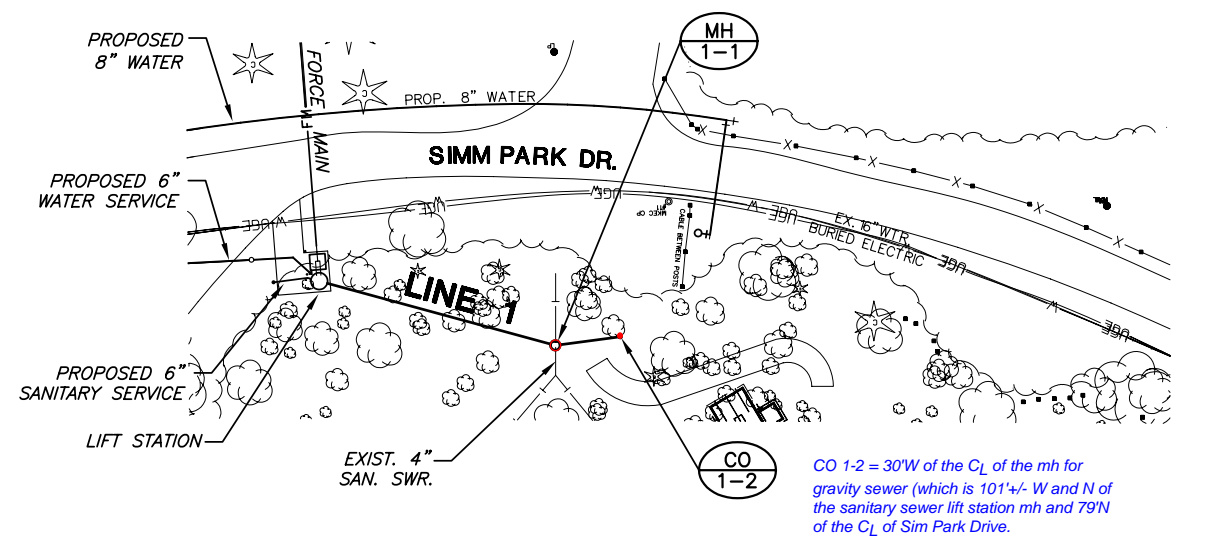
SANITARY SEWER LIFT STATION AND FORCE MAIN
BOTANICA - THE WICHITA GARDENS
STREETS AND UTILITIES

GRAVITY SEWER LINE 1
SHEET TITLE
468-84683
PROJECT NUMBER

DESIGN BY: **AJK**
DRAWN BY: **DMU**
CHECKED BY: **AJK**

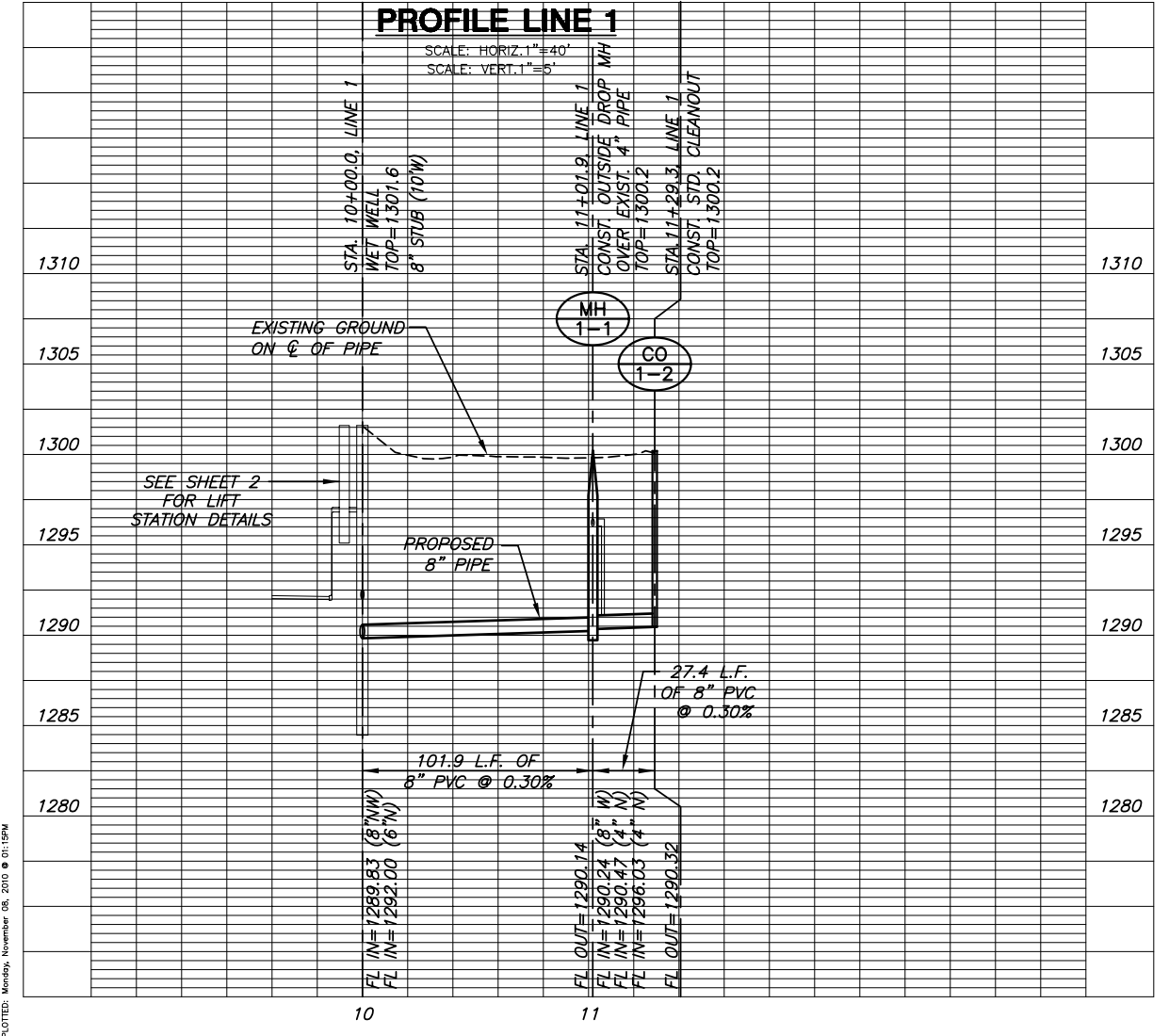
ISSUED: **July 2010**
REVISED: **11/04/10**

SHEET NO.
5A of 29

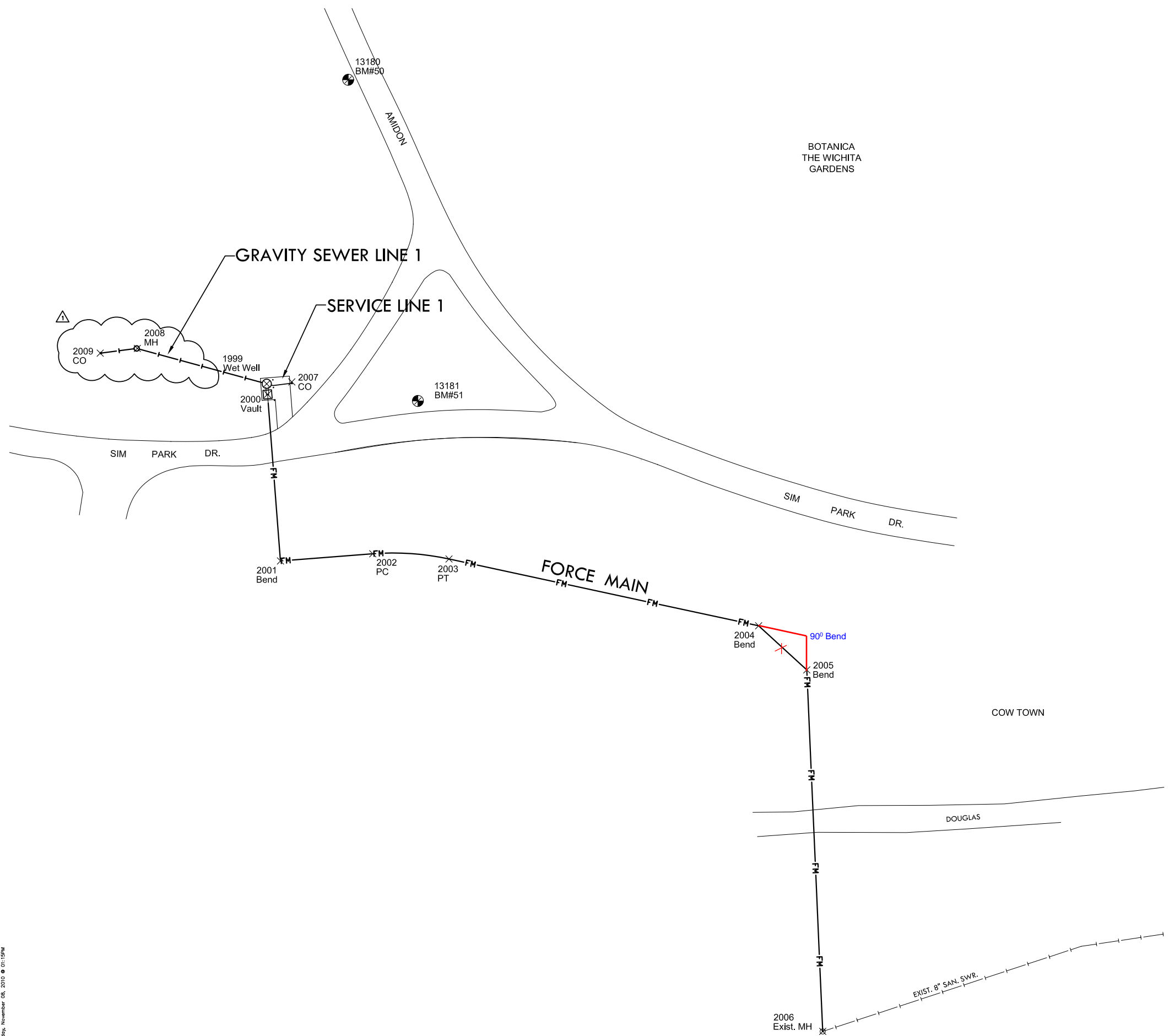


NOTE:
CONTRACTOR TO VERIFY DEPTH AND LOCATION OF EXISTING UTILITIES PRIOR TO CONSTRUCTION.

PLAN LINE 1



SANITARY SEWER LIFT STATION AND FORCE MAIN
BOTANICA - THE WICHITA GARDENS
STREETS AND UTILITIES



Control Points			
Point No.	Northing	Easting	Description
13180	1689086.87	1640976.10	BM#50
13181	1688844.05	1641028.79	BM#51

Force Main Points			
Number	Northing	Easting	Description
1999	1688856.98	1640914.47	Wet Well
2000	1688849.00	1640915.09	Vault
2001	1688723.07	1640924.85	Bend
2002	1688728.48	1640994.64	PC
2003	1688724.58	1641052.29	PT
2004	1688674.04	1641286.47	Bend
2005	1688640.71	1641322.88	Bend
2006	1688367.37	1641334.93	Exist. MH
2007	1688858.45	1640933.41	CO
2008	1688883.73	1640816.61	MH
2009	1688880.19	1640788.52	CO

BUBBLE MAP
SHEET TITLE
468-84683
PROJECT NUMBER

DESIGN BY
DFL
DRAWN BY
DMU/KKL
CHECKED BY
GJA

ISSUED
July 2010
REVISED
11/04/10

SHEET NO.
6 of 29