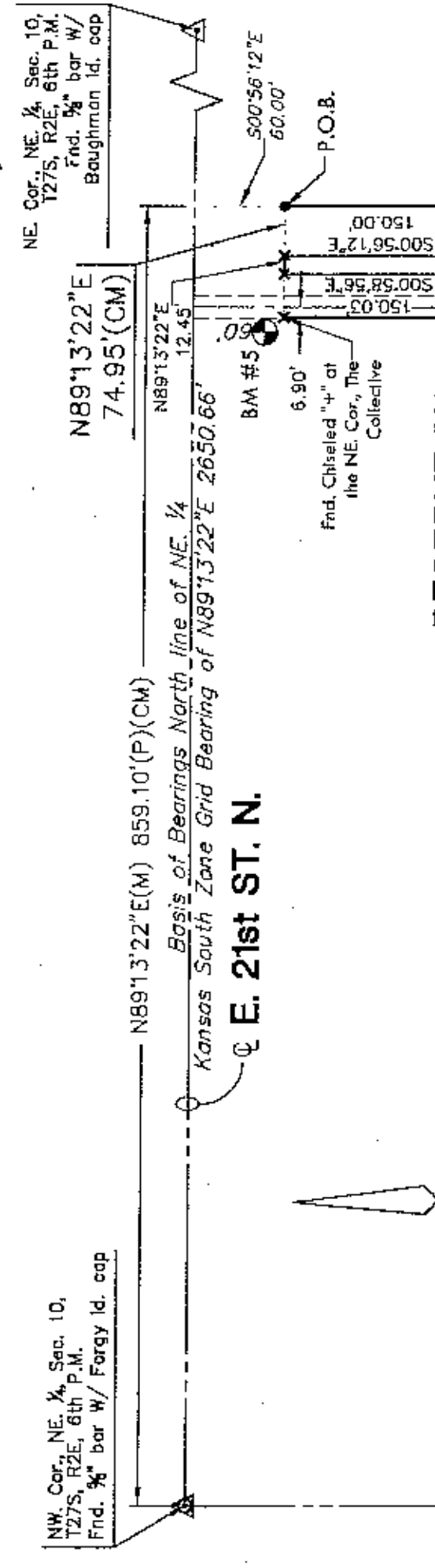


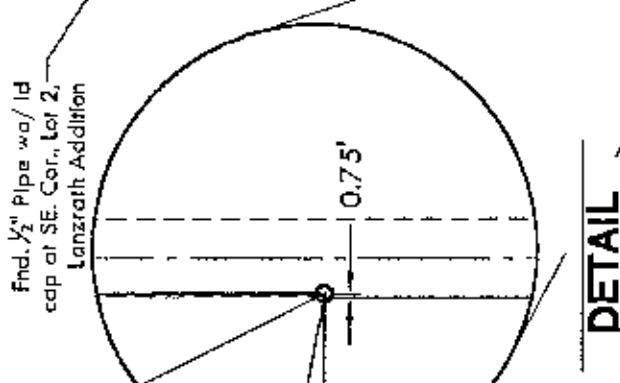
FINAL PLAT

WICHITA CLINIC ADDITION

AN ADDITION TO WICHITA, SEDGWICK COUNTY, KANSAS



MINIMUM PAD ELEVATIONS (LOWEST OPENINGS)		
LOT	BLOCK	ELEVATION (CITY DATUM) (NGVD)
1	1	169.8
1	1	1357.2



DETAIL

- LEGEND**
- △ = Section Corner Monument Found
 - = Found Survey Monument
 - = See annotated caption for type
 - = Set 5/8" Rebar w/ MKEC CLS 39 Id. Cop
 - U.E. = Utility Easement
 - D.E. = Drainage Easement
 - (P) = Plotted
 - (M) = Measured
 - (CM) = Calculated from Measurements
 - (D) = Deeded

<p>Professional Engineering Consultants, P.A. 303 S. TOPEKA - WICHITA, KANSAS 67202 316-262-2691 • FAX 316-262-3003</p>	<p style="text-align: center;">CITY OF WICHITA, KANSAS JAMES L. ARMOUR, P.E. - ACTING CITY ENGINEER THE COLLECTIVE</p> <p style="text-align: center;">PLAT</p> <p style="text-align: center;">CITY OF WICHITA PROJECT NO. 472-83455</p>
<p>Designed by: BER Drawn by: JP, SAW</p>	<p>Job No. 35-03088-0042 Date: DECEMBER 2003</p>
<p>Sh. 3 of 17</p>	