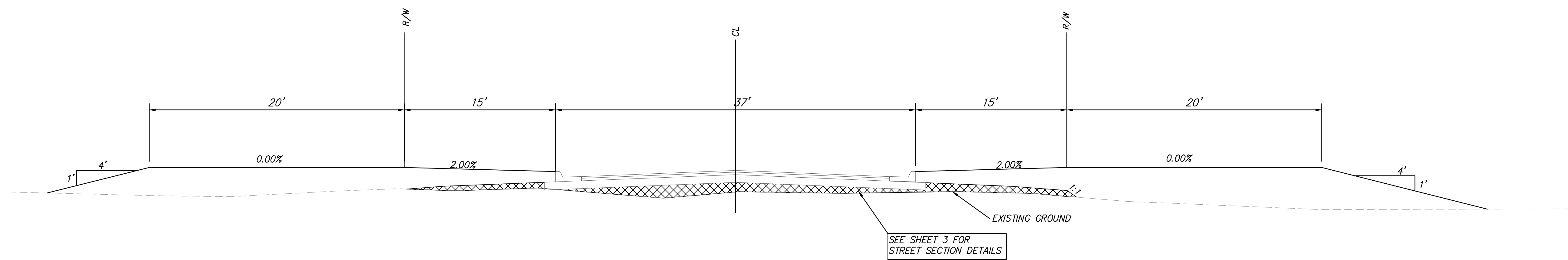
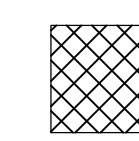



TYPICAL 29' ROW GRADING SECTION



TYPICAL 37' ROW GRADING SECTION

 Fill Compacted to 90% Standard Density

LEGACY 3RD ADDITION STREET SECTIONS WICHITA, KANSAS			
SEAL	 RUGGLES & BOHM	DATE Feb. 19, 2014	
		DESIGN EJG	
		DRAWN DGZ	
		REVIEW .	
		SHEET 4	
		OF 32	
PROJECT NUMBER		RB JOB NO.	
DRAWING FILE		DWG. SCALE	
ENGINEERING BASE [Street Sections]			

(c) Copyright 2014, Ruggles & Bohm, P.A.