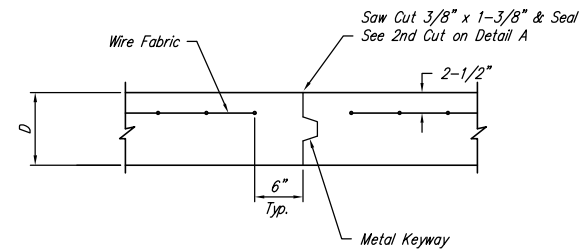
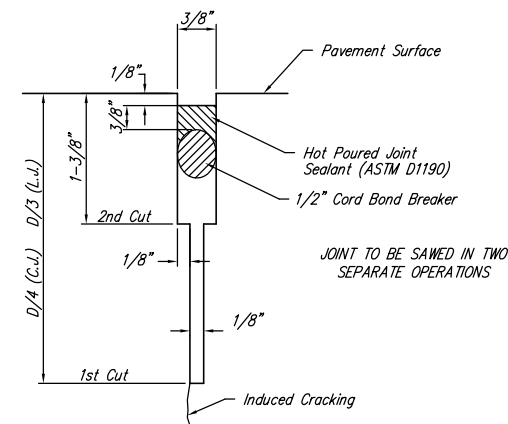


EXPANSION JOINT

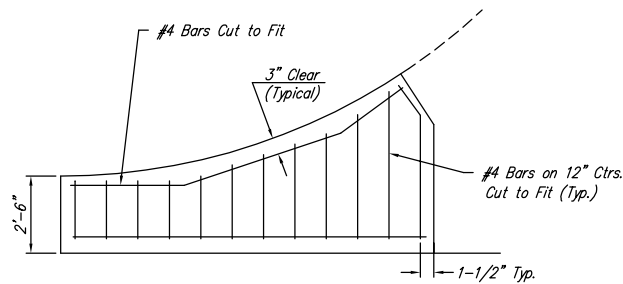
NOTE: Extra Thickness to be Subsidiary to Price of Square Yards Pavement



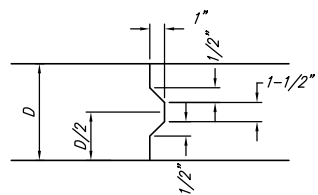
OPTIONAL CONTRACTION JOINT



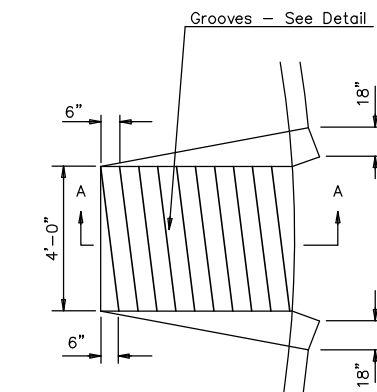
SAW JOINT DETAIL



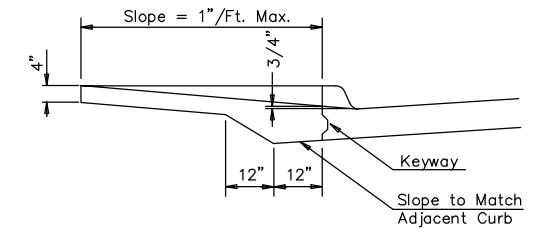
WING REINFORCING DETAIL



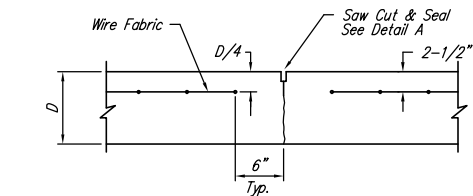
KEYWAY DETAIL



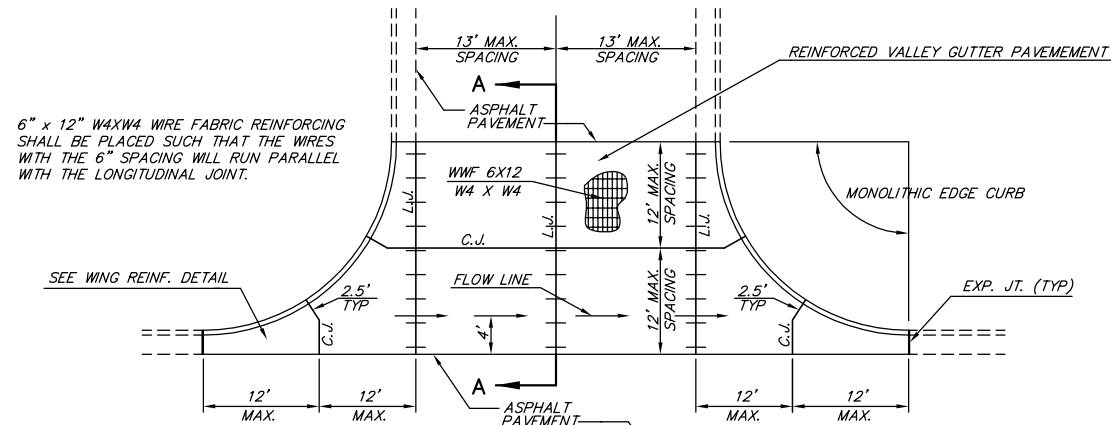
WHEELCHAIR RAMP PLAN VIEW



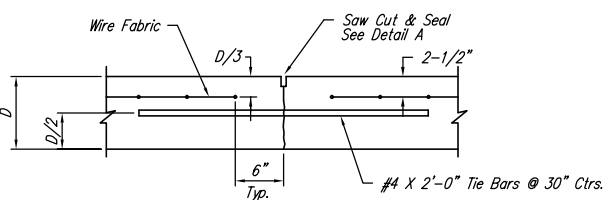
SECTION A-A



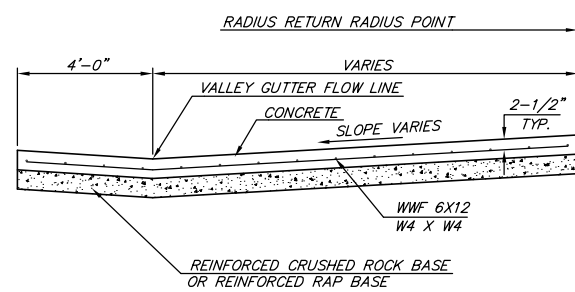
CONTRACTION JOINT DETAIL (C.J.)



PLAN

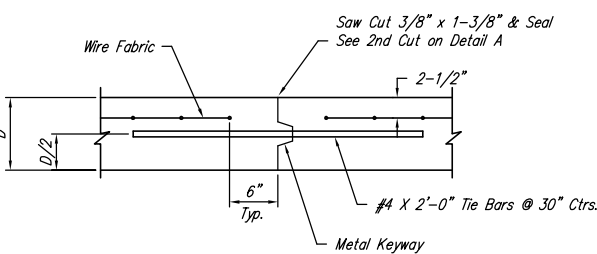


LONGITUDINAL JOINT DETAIL (L.J.)

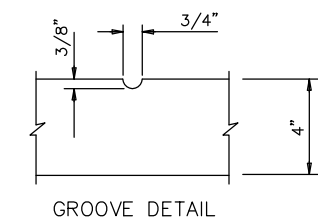


SECTION A-A

REINFORCED VALLEY GUTTER DETAIL

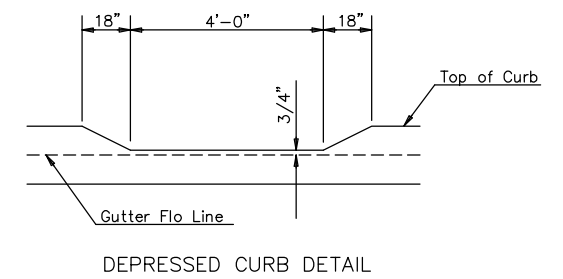


OPTIONAL LONGITUDINAL JOINT DETAIL (L.J.)



GROOVE DETAIL

WHEELCHAIR RAMP DETAIL



DEPRESSED CURB DETAIL

<p>THE CITY OF WICHITA</p> <p>CITY ENGINEER'S OFFICE 455 NORTH MAIN STREET WICHITA, KANSAS 67202 (316) 268-4201 (316) 268-4114 FAX</p>	VALLEY GUTTER DETAILS	
	WHEELCHAIR RAMP DETAILS	
	NEIL D. CABLE - CITY ENGINEER	
	PROJECT NUMBER 472-83637	INDEX CODE 765776
DATE MAR 03	SHEET 3 OF 30	