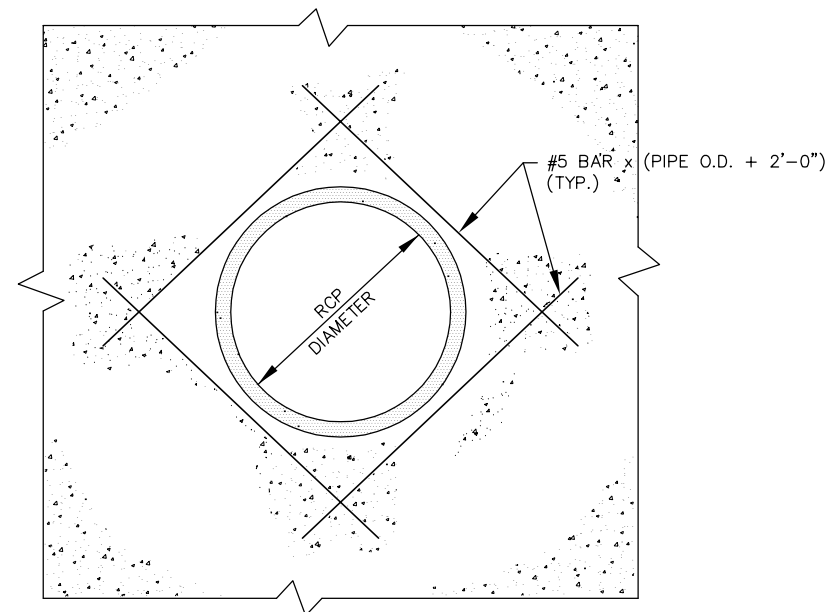


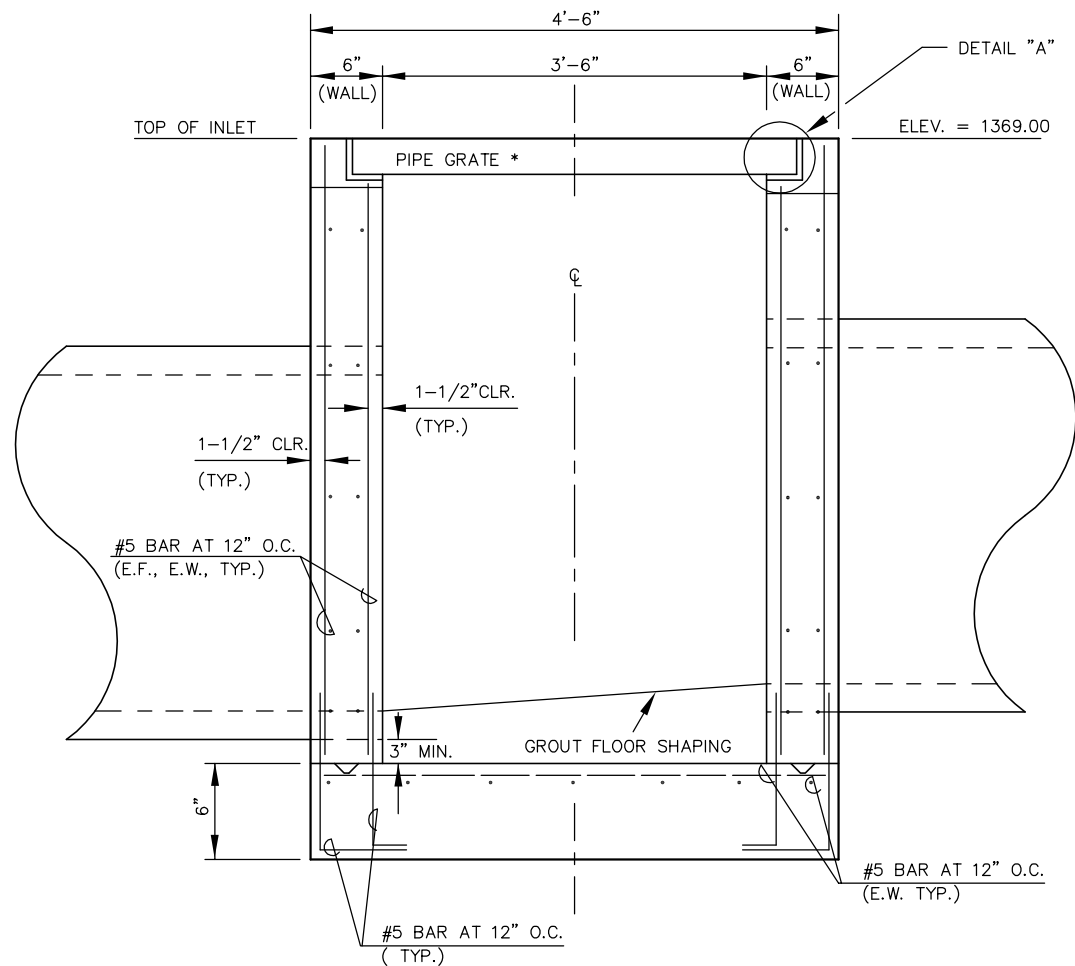
PLAN VIEW

CONTRACTOR MAY SUBSTITUTE 8" BRICK WALL FOR 6" REINFORCED CONCRETE WALL.



NOTE:  
CUT REINFORCING AS REQUIRED TO CLEAR RCP.

TYPICAL REINFORCING AT PIPE



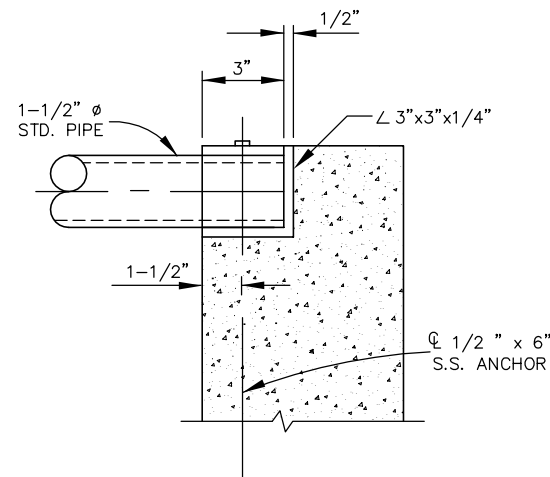
ELEVATION VIEW

REINFORCED CONCRETE AREA INLET

MATERIAL SPEC'S

- MORTAR - TYPE "M"
- BRICK - ASTM C62 GRADE MW
- STEEL - ASTM A36 OR EQUIVALENT
- GALV. - ASTM A-123 STDS.
- CONCRETE -  $F'_c = 4,000$  PSI MINIMUM WITH 6 SACKS OF CEMENT PER CUBIC YARD MINIMUM.

ORIFICE EQUATION				
$Q = C * A * \sqrt{2gh}$				
h (DEPTH)	2g	C	A	Q
0.5	64.4	0.7	6.70	26.6 cfs
1.0	64.4	0.6	6.70	32.2 cfs
2.0	64.4	0.6	6.70	45.6 cfs
2.0	64.4	0.7	6.70	53.2 cfs
3.0	64.4	0.6	6.70	55.9 cfs
4.0	64.4	0.6	6.70	64.5 cfs
5.0	64.4	0.6	6.70	72.1 cfs
6.0	64.4	0.6	6.70	79.0 cfs
7.0	64.4	0.6	6.70	85.4 cfs
8.0	64.4	0.6	6.70	91.2 cfs



NOTE:  
FABRICATED STEEL GRATING SHALL BE GALVANIZED AS SPECIFIED BY ASTM A-123.

DETAIL "A"



**HAWTHORNE ADDITION**  
PROJECT NAME

**REINFORCED CONCRETE AREA INLET**  
SHEET TITLE

MKEC DESIGN BY: MKEC DRAWN BY: MKEC CHECKED BY:

JULY 1996 DATE: 02167DD4 DRAWING NAME: 10 / 30 SHEET / OF