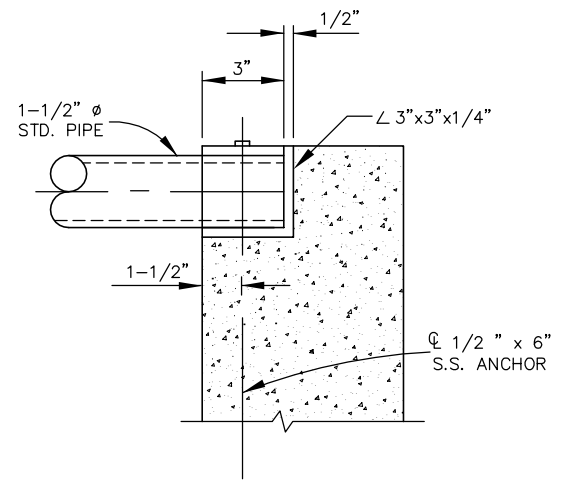
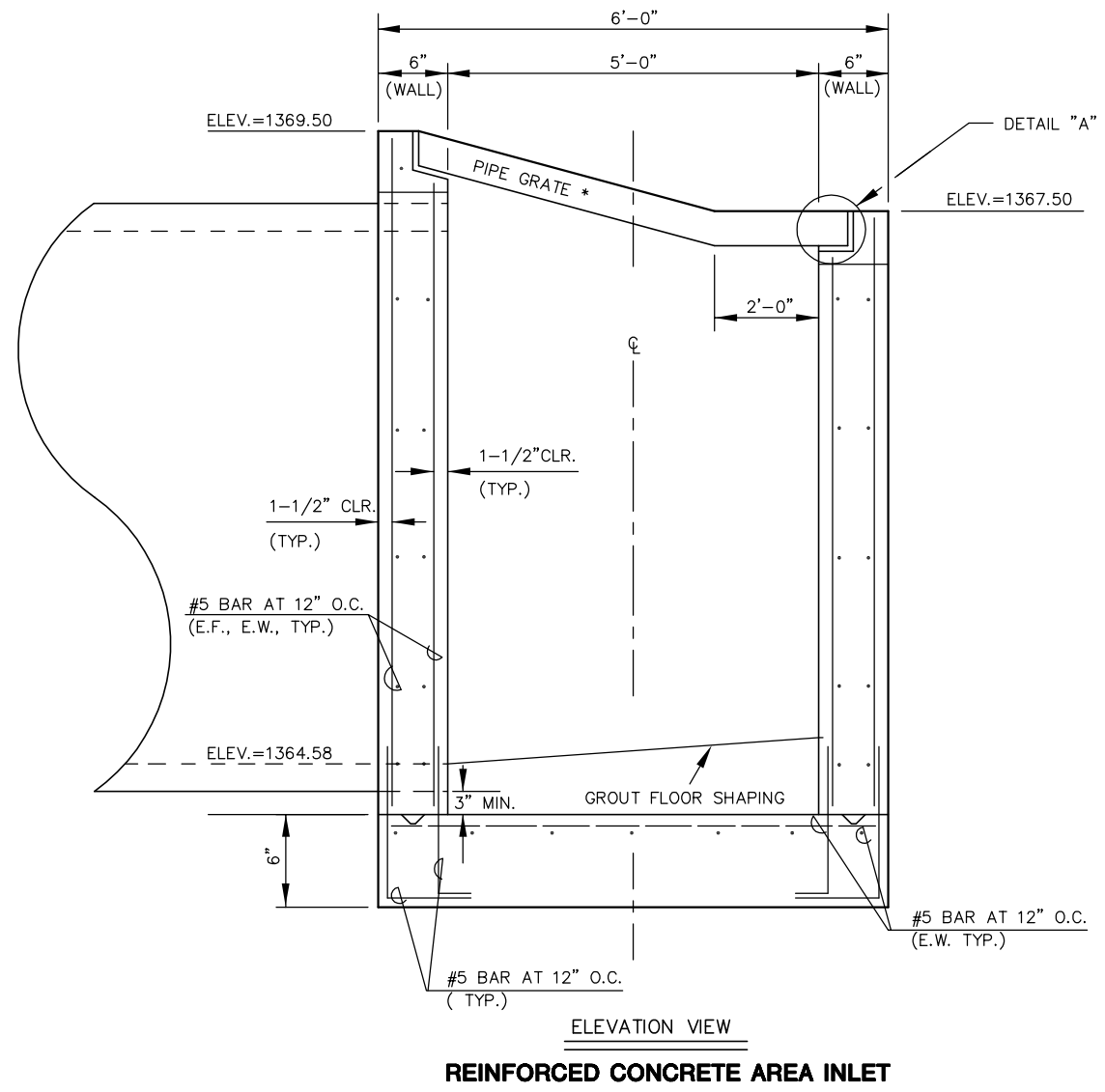


TYPICAL REINFORCING AT PIPE

MATERIAL SPEC'S

- MORTAR - TYPE "M"
- BRICK - ASTM C62 GRADE MW
- STEEL - ASTM A36 OR EQUIVALENT
GALV. ASTM A-123 STDS.
- CONCRETE - $F'_c = 4,000$ PSI MINIMUM WITH
6 SACKS OF CEMENT PER
CUBIC YARD MINIMUM.

ORIFICE EQUATION				
$Q = C \cdot A \cdot \sqrt{2gh}$				
h (DEPTH)	2g	C	A	Q
0.2	64.4	0.6	6.7	5.2 cfs
0.4	64.4	0.6	7.8	14.7 cfs
0.6	64.4	0.6	8.9	27.1 cfs
0.8	64.4	0.6	9.9	41.7 cfs
1.0	64.4	0.6	11.0	52.7 cfs
1.2	64.4	0.6	12.0	63.2 cfs
1.4	64.4	0.6	13.0	74.2 cfs
1.6	64.4	0.6	14.1	85.7 cfs
1.8	64.4	0.6	15.1	97.6 cfs
2.0	64.4	0.6	16.2	110.0 cfs



NOTE:
FABRICATED STEEL GRATING SHALL
BE GALVANIZED AS SPECIFIED BY
ASTM A-123.

DETAIL "A"

**MID-KANSAS ENGINEERING
CONSULTANTS, INC.**
411 N. WEBB ROAD
WICHITA, KS. 67206
316-684-9600

HAWTHORNE ADDITION
PROJECT NAME

REINFORCED CONCRETE AREA INLET
SHEET TITLE

MKEC
DESIGN BY.

JAN. 2004
DATE

MKEC
DRAWN BY.

02167
JOB NO.

MKEC
CHECKED BY.

10 / 30
SHEET/OF

H:\CIVIL\02167\SW\VECKHAM\02167DD3.DWG