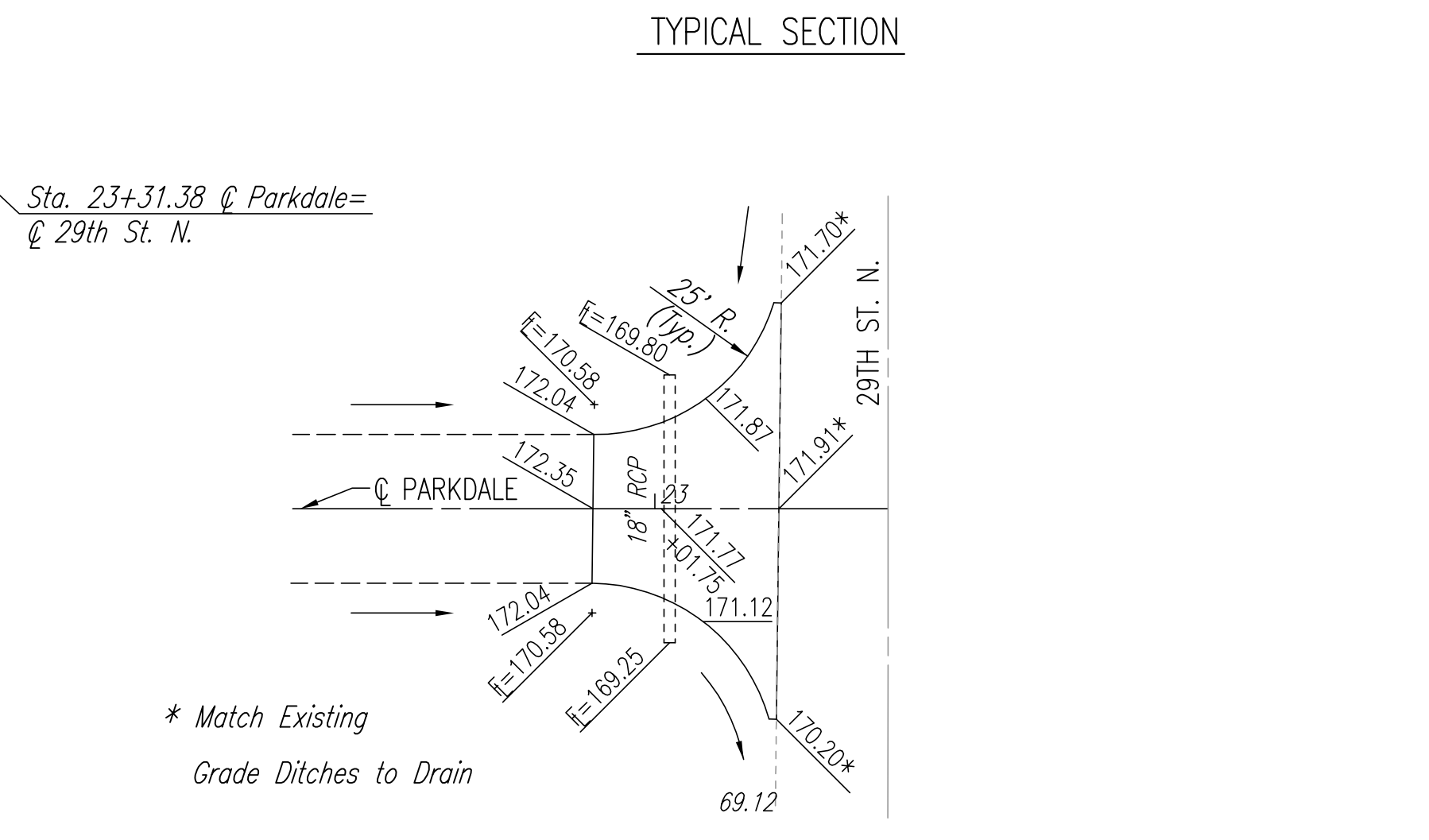
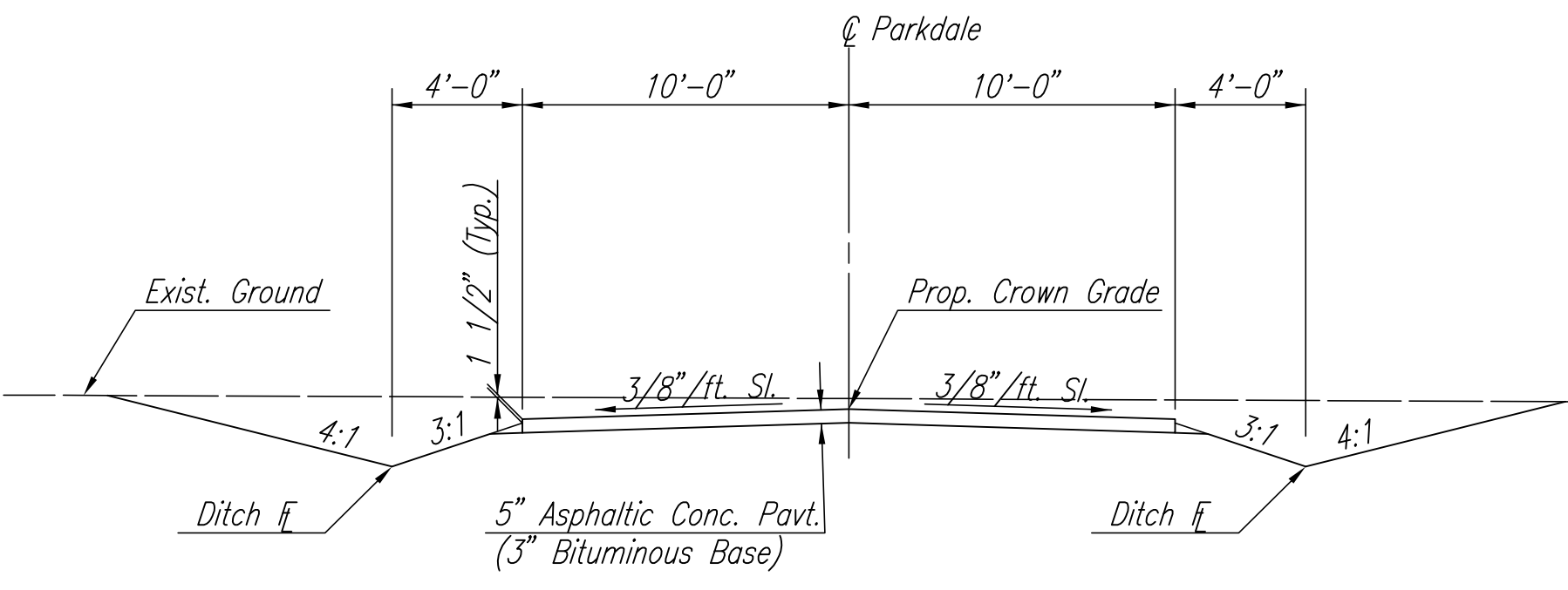
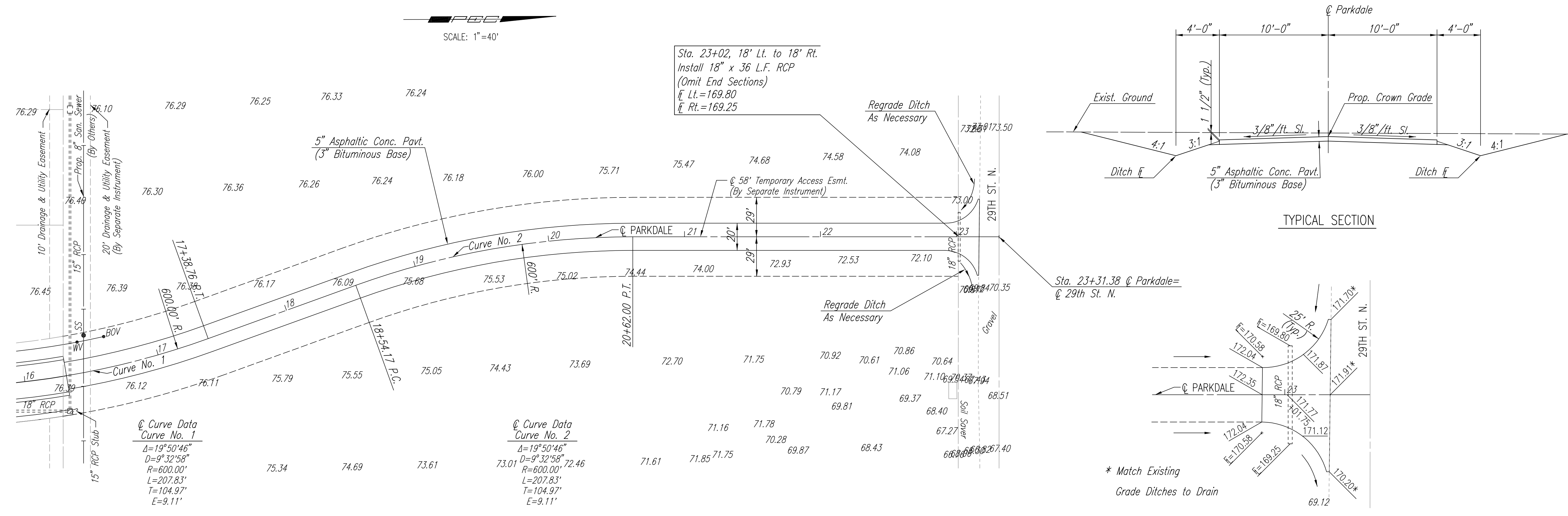
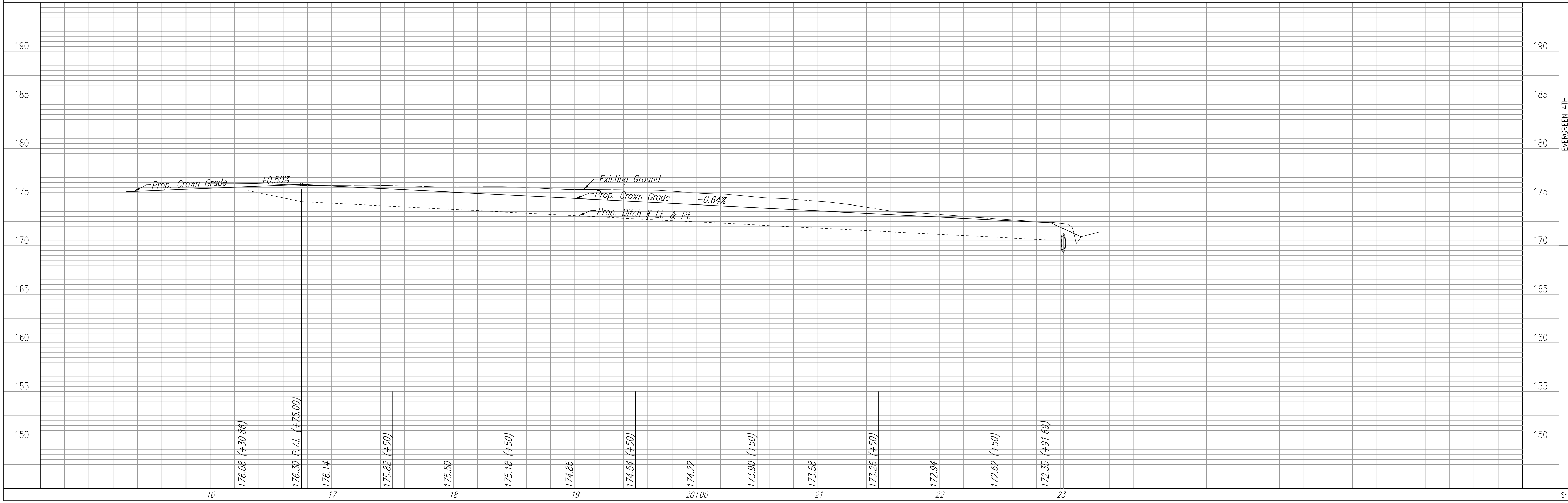


PLAN	CHECKED	DATE
	CHECKED	

PROFILE	CHECKED	DATE
	CHECKED	

DSNR: BOB OPER: BUS SCALE: 1"=40.00
 Q:\2003\03123\000\ACCESSROAD 02-04-2004 01:52:40 pm



EVERGREEN 4TH
TEMPORARY ACCESS ROAD
 JAMES L. ARMOUR, P.E. - ACTING CITY ENGINEER
 CITY OF WICHITA PROJECT NO. 472-83762

Professional Engineering Consultants, P.A.
 303 S. TOPEKA • WICHITA, KANSAS 67202
 316-262-2691 • FAX 316-262-3003

Designed By: BOB, BLB
 Drawn By: BUS
 Job No.: 35-03123
 Date: MARCH 2003